



Electrical Wiring Diagrams



XF

VIN: R00019 >



BY APPOINTMENT TO
HER MAJESTY QUEEN ELIZABETH II
MANUFACTURERS OF DAIMLER AND JAGUAR CARS
JAGUAR CARS LIMITED COVENTRY



BY APPOINTMENT TO
HIS ROYAL HIGHNESS THE PRINCE OF WALES
MANUFACTURERS OF DAIMLER AND JAGUAR CARS
JAGUAR CARS LIMITED COVENTRY

Electrical Wiring Diagrams

XF

VIN: R00019 >

Published by Technical Communications, Jaguar Cars Limited
Publication Part No. JLR 13 56 10_1E, March 2008

PREFACE

While every effort is made to ensure accuracy, design changes to the vehicle may be made in the period between the completion of this publication and the introduction of vehicles.

ABBREVIATIONS

..... vi

USING THIS PUBLICATION

Health and safety vii

Using this publication vii

Section numbering viii

Understanding the circuit diagrams viii

COMPONENT INDEX follows USING THIS PUBLICATION

CONNECTOR INDEX follows COMPONENT INDEX

204-04 - WHEELS AND TIRES

Tire pressure monitoring system 1

204-05 - VEHICLE DYNAMIC SUSPENSION

Adaptive Damping 2

206-05 - PARKING BRAKE AND ACTUATION

..... 3

206-09 - ANTI-LOCK CONTROL

..... 4

211-04 - STEERING COLUMN

Steering wheel 5

Steering Column Adjustment 6

303-03 - ENGINE COOLING

Petrol 7

DV6 8

303-06 - STARTING SYSTEM

PV8NA 9

PV8SC 10

PV6 11

DV6 12

303-14A - ELECTRONIC ENGINE CONTROLS - DV6

Sensors 13

Emissions 14

Glow plugs 15

Actuators 16

Vehicle interface - Part 1 17

Vehicle interface - Part 2 18

Vehicle interface - Part 3 19

Sensors - Part 1 20

Sensors - Part 2 21

Actuators - Part 1 22

Actuators - Part 2 23

303-14B - ELECTRONIC ENGINE CONTROLS - PV6

SAI without MAP 24

IMT valves 25

Sensors - Part 1 26

Sensors - Part 2 27

Emissions 28

Throttle control 29

Actuators - Part 1 30

Actuators - Part 2 31

Actuators - Part 3 32

303-14C - ELECTRONIC ENGINE CONTROLS - PV8SC

SAI without MAP	33
Coolant pump - PV8SC	34
Sensors - Part 1	35
Sensors - Part 2	36
Emissions	37
Throttle control	38
Actuators - Part 1	39
Actuators - Part 2	40
Actuators - Part 3	41

303-14 - ELECTRONIC ENGINE CONTROLS - PV8NA

SAI with MAP	42
Sensors - Part 1	43
Sensors - Part 2	44
Emissions	45
Throttle control	46
Actuators - Part 1	47
Actuators - Part 2	48

307-01 - AUTOMATIC TRANSMISSION

PV8NA	49
PV8SC	50
PV6	51
DV6	52

310-01 - FUEL TANK AND FUEL LINES

Petrol	53
DV6	54

310-03 - SPEED CONTROL

Petrol	55
DV6	56
Adaptive	57

412-01 - CLIMATE CONTROL

Part 1	58
Part 2	59
Part 3	60

412-02 - AUXILIARY CLIMATE CONTROL

Heated - front	61
Heated - rear	62

413-01 - INSTRUMENT CLUSTER

Part 1	63
Part 2	64
Part 3	65

413-13 - PARKING AID

Rear	66
Rear view camera	67
Front	68

414-01 - BATTERY, MOUNTING AND CABLES

Battery cables - Petrol	69
Battery cables - Diesel	70
Engine junction box - PV8NA EMS	71
Engine junction box - PV8SC EMS	72
Engine junction box - PV6 EMS	73
Engine junction box - PV8 Emissions	74
Engine junction box - DV6 EMS	75
Engine junction box - Common 1	76
Engine junction box - Common 2	77
Engine junction box - Visibility	78
Rear junction box	79
Rear junction box	80
Rear junction box	81
Rear junction box	82
Rear junction box	83
Rear junction box	84
Central junction box	85
Central junction box	86
Central junction box	87
Central junction box	88
Central junction box	89
Central junction box	90
Central junction box	91
Central junction box	92
Ground distribution	93
Ground distribution	94
Ground distribution	95
Ground distribution	96
Ground distribution	97
Ground distribution	98
Ground distribution	99
Ground distribution	100

414-02 - GENERATOR AND REGULATOR

Charging - PV8NA	101
Charging - PV8SC	102
Charging - PV6	103
Charging - DV6	104

415-00 - INFORMATION AND ENTERTAINMENT SYSTEM

Audio control (without power amplifier)	105
Audio control (with power amplifier)	106
14-Speaker system	107
8-Speaker system	108
9-Speaker system	109
Audio antennae	110
Portable audio interface - Part 1	111
Portable audio interface - Part 2	112
Digital radio	113
Television	114

417-01 - EXTERIOR LIGHTING

Headlamps	115
Headlamps - high intensity discharge	116
Fog lamps	117
Brake and reverse lamps	118
Turn signal indicators and hazard flashers	119
Side lamps	120

417-02 - INTERIOR LIGHTING

Map and Courtesy	121
Doors and Trunk	122
Ambient lighting	123
Switch Illumination	124

418-00 - MODULE COMMUNICATIONS NETWORK

CAN bus - medium speed - Part 1 (Common)	125
CAN bus - medium speed - Part 2 (LHD)	126
CAN bus - medium speed - Part 3 (LHD)	127
CAN bus - medium speed - Part 2 (RHD)	128
CAN bus - medium speed - Part 3 (RHD)	129
CAN bus - high speed - Part 1	130
CAN bus - high speed - Part 2	131
CAN bus - high speed - Part 3	132
CAN bus - high speed - Part 4	133
MOST - Part 1	134
MOST - Part 2	135
MOST - Part 3	136

419-01 - ANTI-THEFT SYSTEM

Part 1	137
Part 2	138
Part 3	139
Passive	140

419-07 - NAVIGATION SYSTEM

.....	141
-------	-----

419-08 - CELLULAR PHONE

.....	142
-------	-----

419-15 - ELECTRONIC FEATURES MODULES

Glove compartment release	143
---------------------------------	-----

501-09 - REAR VIEW MIRRORS

Electrochromic	144
Mirror Movement	145
Blind spot monitoring (LHD)	146
Blind spot monitoring (RHD)	147

501-10 - SEATING

Driver seat - 10 way non-memory (LHD)	148
Driver seat - 10 way non-memory (RHD)	149
Passenger seat - 8 and 12 way (LHD)	150
Passenger seat - 8 and 12 way (RHD)	151
Driver seat - 16 way memory (LHD)	152
Driver seat - 10 way memory (LHD)	153
Driver seat - 16 way memory (RHD)	154
Driver seat - 10 way memory (RHD)	155
Climate controlled - Front (LHD)	156
Climate controlled - Front (RHD)	157
Heated - front	158

501-11 - GLASS, FRAMES AND MECHANISMS

Window lift - front	159
Window lift - rear	160

501-12 - INSTRUMENT PANEL AND CONSOLE

Switch pack - Instrument panel (center)	161
Accessory socket(s)	162

501-14 - HANDLES, LOCKS, LATCHES AND ENTRY SYSTEMS

Keyless entry - Front (LHD)	163
Keyless entry - Front (RHD)	164
Keyless entry - Rear	165
Keyless entry - Antennae	166
Front dead locks	167
Trunk and fuel flap	168
Front power locks	169
Rear dead locks	170
Rear power locks	171

501-16 - WIPERS AND WASHERS	172
.....	
501-17 - ROOF OPENING PANEL	
Roof opening panel and sun blind	173
501-20A - SAFETY BELT SYSTEM	
.....	174
501-20B - SUPPLEMENTAL RESTRAINT SYSTEM	
LHD	175
RHD	176
Passenger air bag deactivation	177
501-20C - PEDESTRIAN PROTECTION SYSTEM	
.....	178

ABBREVIATIONS

Abbreviation	Description
ABS	Anti-lock braking system
ADRC	Adaptive damping
AFS	Adaptive front lighting system
AMP	Audio amplifier
AUTO	Automatic transmission
BSM	Blind spot monitoring
CAN	Controller area network
DAB	Digital audio broadcasting
DSC	Dynamic stability control
D4	Diesel engine - Straight-four
DPF	Diesel particulate filter
DV6	Diesel engine - V6
DV8	Diesel engine - V8
EGR	Exhaust gas recirculation
EMS	Engine management system
ETS	Electronic transmission shift
FET	Field effect transistor
GPS	Global positioning system
HID	High intensity discharge
HS CAN	High speed controller area network bus
IC	Instrument cluster
IP	Instrument panel
PV6	Petrol engine - V6
PV8	Petrol engine - V8
PV8NA	Naturally aspirated engine - V8
PV8SC	Super charged engine - V8
LH	Left-hand
LIN	Local interconnect network
MAF/IAT	Mass air flow / intake air temperature
MS CAN	Medium speed controller area network bus
MMM	Navigation system module
N/A	Normally aspirated
NAS	North American specification
PDC	Park distance control
RF	Radio frequency
RH	Right-hand
SAI	Secondary air injection
SCL	Steering column locking
SDARS	Satellite digital audio receiver system
TPMS	Tire pressure monitoring system
TSD	Touch screen display
TV	Television
ULEV	Ultra low emission vehicle
USB	Universal serial bus
VICS	Vehicle information control system

Health and safety

Always follow health and safety guidelines, specifically those detailed in the Workshop Manual.

Using this publication

The information provided in this publication is for use only by competent, qualified auto-electricians. Good product knowledge is assumed, as well as the ability to access and use recommended test equipment and other reference material provided.

Test equipment and other reference material

The information in this publication should be used in conjunction with the recommended test equipment; refer to Workshop Manual. Other reference material includes: Technical Service Bulletins (TSB) and the Workshop Manual.

The Electrical Reference Library (ERL) may also prove useful since it provides detailed connector information.

Battery disconnection and reconnection

It is imperative that any information relating to battery disconnection and reconnection is followed; refer to the appropriate sections in the Workshop Manual.

Fault Diagnosis

Always use the recommended test equipment for correct and reliable fault diagnosis, refer to the Workshop Manual.

Harness Repair

Repairs should only be undertaken for connectors where a Service Repair Kit is available; refer to the appropriate Electrical Reference Library (ERL).

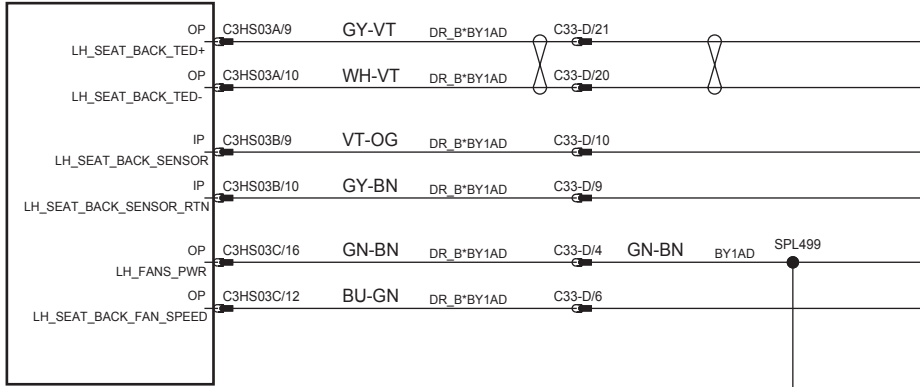
Note: Fibre Optic circuits cannot be repaired; refer to the Workshop Manual.

USING THIS PUBLICATION

Section numbering

The sections in this publication are ordered to match the Global Outline numbering system as found in the current Workshop Manual. The Power and Ground distribution circuits can be found under section 414-01, BATTERY, MOUNTING AND CABLES. **Note:** Where circuit diagrams show more than one sub-system, the circuit will be located in the section that carries the first-named sub-system, for example: Starting and Charging will be located under section 303-06 Starting System, since 'Starting' is the first-named sub-system.

Understanding the circuit diagrams



Connectors, Ground and Splices

Harnesses for the vehicle originate from a variety of different sources and therefore the connector nomenclature is inconsistent.

Wire Length

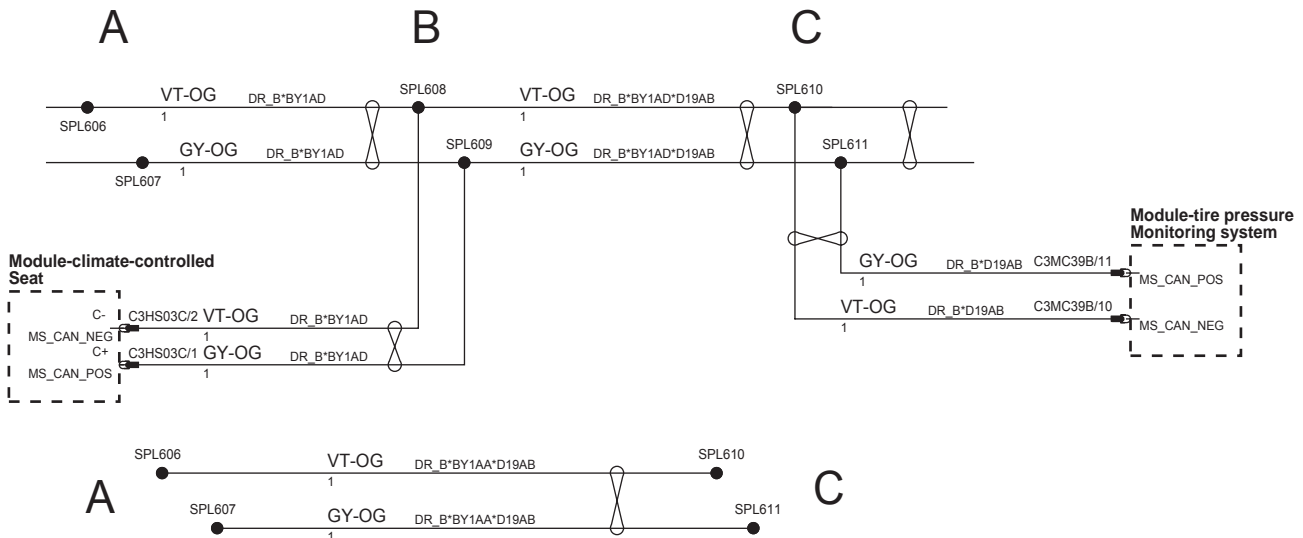
Wire length (where stated) are in millimeters and appear directly below the color code for each wire. Wire length values are displayed for LHD vehicles only, values for RHD vehicles may vary.

Twisted Wires

The 'figure-of-eight' symbol indicates that wires are twisted together.

By-pass Wires

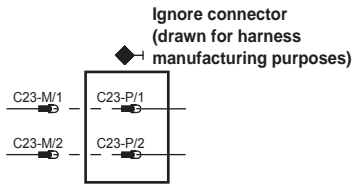
Vehicles are customized to suit market or customer selected options. To reduce the number of circuits drawn, by-pass wires are shown. By-pass wires are identified by large, upper case letters designed to correspond with the alternative connection arrangement; refer to figure below.



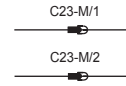
Connector Designation

Certain connectors have been drawn for harness manufacturing purposes only. In Example 1, the left-hand connector is always used, the connector drawn to the right-hand side of the dotted line is a dummy connector which should be ignored; refer to Service Interpretation 1.

Example 1:

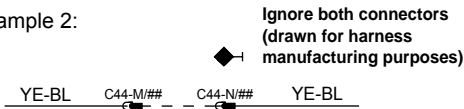


Service Interpretation 1:



Example 2 depicts that some pairs of connectors have also been drawn for harness manufacturing purposes, these connectors do not appear in the vehicle and therefore should be ignored; refer to Service Interpretation 2.

Example 2:



Service Interpretation 2:



Control Module Pins

B+	Battery voltage
C-	CAN negative
C+	CAN positive
D	Data
GND	Ground
GRES	Sensor / signal ground **
IP	Input signal
LIN	Local interconnect network
MOST_RX	MOST receive
MOST_TX	MOST transmit
NEG	Negative
OP	Output signal
P	Power ground
POS	Positive
PWR	Power
SW	Switch
VBATT	Battery voltage
VREF	Sensor / signal supply V *

*May also indicate Reference Voltage.

**May also indicate Reference Ground or Logic Ground.

Wire Codes

BK	Black
BN	Brown
BU	Blue
GN	Green
GY	Grey
OG	Orange
OPT	Fiber optic
PK	Pink
RD	Red
SCR	Screen braid
VT	Purple
WH	White
YE	Yellow

USING THIS PUBLICATION

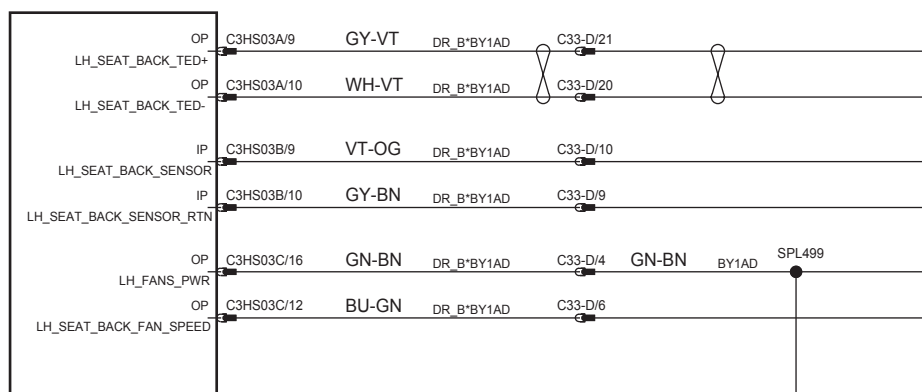
Option Code

A code identifying an optional wiring arrangement, for example BY1AD may be allocated to certain wires; refer to the Option Code Table.

The asterisk (*) represents 'AND'; the colon (:) represents 'OR'; for example:

DR_B*BY1AD, represents: left-hand drive AND heated & cooled seats

IBYAD*IESAB:IBYAC*IESAB, represents: satellite digital audio AND television OR digital audio AND television.



Option Code Table

Cct	Vehicle Option or Feature
2W_LUM	2way lumbar
A2CAA	without secondary air injection
A2CAB	secondary air injection
A2CAC	secondary air injection map sensor
A2EAA	without USB
A2EAB	USB
A3RAA	without deployable hood
A3RAB	deployable hood
B3MAB	heated front screen
BDAAD	power rear sunblind
BSBAF	electrochromic interior mirror
BSHDF	fold back mirrors
BY1AA	without heated seats
BY1AC	heated seats
BY1AD	heated & cooled seats
BYPAM	10way drivers seat movement
BYPAN	16way drivers seat movement
BYQAH	12way passengers seat movement
BYRAA	without programmable drivers seat
BYRAB	programmable drivers seat
CBAAB	power door locks
CBAAD	power dead locks
CBGAG	keyless entry
CBGAJ	without keyless entry
CFKAB	headlamp washer
CHAAL	power tilt/slide sunroof
CP5AB	beltminder
CP5AC	occupancy sensing
D19AA	without TPMS
D19AB	TPMS
DR_B	LHD
DR_D	RHD
DWMAA	without ADRC
DWMAB	ADRC
EM_N	ULEV 2 requirements

Cct	Vehicle Option or Feature
EN_A5	2.7L diesel engine
EN_AJ	4.2L V8 engine
EN_AK	4.2L SC engine
EN_WD	3.0 V6 engine
G1DAA	without smog sensor
G1DAB	smog sensor
GRBAA	without steering column lock
GRBAB	steering column lock
GTBAA	without heated steering wheel
GTBAB	heated steering wheel
GTDAB	speed control
GTDAD	adaptive stop/go speed control
HKCAA	without navigation
HKCAB	navigation
HKCAD	traffic master
HKCAF	VICS
HLLAA	without blindspot monitoring
HLLAC	blindspot monitoring
HNHAB	battery backed security siren
HNHAC	passive sounder
HNLAB	front parking aid
IBUAB	bluetooth phone
IBYAB	analog audio
IBYAC	digital audio
IBYAD	satellite digital audio
IDAAA	standard ice
IDAAB	premium ice
IDAAR	hi line ice
IESAA	without television
IESAB	television
IF9AB	voice activated controls
J3GAA	without electronic road pricing
J3GAB	electronic road pricing
J3KAA	without park aid camera
J3KAB	park aid camera
JBBAB	halogen headlamps
JBBAC	hid headlamps
JEAAC	automatic headlamp leveling
NO_EN_AK	without 4.2L SC engine
NO_SAIMAP	without secondary air injection map sensor

Component Depictions

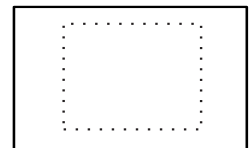
EXAMPLE:



COMPLETE COMPONENTS
AND CONTROL MODULES



INCOMPLETE COMPONENTS



COMPONENTS WITH
INTERNAL ELECTRONIC CIRCUIT

- ABS module 4, 76, 90, 93, 132, 173
- Accelerometer-Front 2
- Accelerometer-Rear 2
- Actuator-Hood latch-LH 178
- Actuator-Hood latch-RH 178
- Actuator-Inlet port deactivation 16, 75
- Adaptive Damping Module 2, 87, 98, 131
- Air bag-Driver 5, 175, 176
- Air bag-Passenger 175, 176
- Air bag-Side curtain-LH 175, 176
- Air bag-Side curtain-RH 175, 176
- Air bag-Side-Driver 175, 176
- Air bag-Side-Passenger 175, 176
- AM/FM diversity antenna amplifier 105, 106, 110, 113, 141
- Amplifier-Audio 79, 99, 106, 107, 109
- Antenna-DAB 113
- Antenna-LF-Rear-External 166
- Antenna-LF-Rear-Internal 140
- Antenna-Triple TV 114
- Antenna-TV 114
- Antenna-VICS 141
- Assembly-Climate-Seat backrest-Driver 156, 157
- Assembly-Climate-Seat backrest-Passenger 156, 157
- Assembly-Climate-Seat cushion-Driver 156, 157
- Assembly-Climate-Seat cushion-Passenger 156, 157
- Camera-Rear view 67, 81, 83, 99
- Center speaker 107
- Center console antenna-Front 140
- Center console antenna-Rear 140
- Cigar lighter-Front 76, 92, 98, 124, 162
- Clock spring 5, 55, 56, 76, 83, 90, 92, 95, 105, 106, 124, 139, 175, 176
- Connector-MOST diagnostic 134
- Connector-Road pricing 79, 87, 96, 162
- Console-Portable audio interface 111, 112
- Control Unit-Cooling Fan 7, 8, 71, 72, 73, 76, 93
- Cruise controls-Remote 5, 55, 56, 124
- Diagnostic Connector 4, 85, 95, 125, 130, 133
- Downshift paddle switch 5
- Driver seat Cushion Extension Motor 152, 154
- Driver seat module 86, 97, 126, 128, 152, 153, 154, 155
- Drivers seat height motor 148, 149, 152, 153, 154, 155
- ECU-Heated steering-wheel 5, 158
- Engine control-module (ECM) 7, 8, 9, 10, 11, 12, 13, 15, 16, 24, 25, 26, 27, 28, 29, 30, 31, 32, 33, 34, 35, 36, 37, 38, 39, 40, 41, 42, 43, 44, 45, 46, 47, 48, 53, 54, 55, 56, 71, 72, 73, 74, 75, 76, 77, 84, 89, 92, 94, 101, 102, 103, 104, 133
- Front Tweeter-LH 107, 108, 109
- Front Tweeter-RH 107, 108, 109
- Fuel injector-No.1 32, 41, 47
- Fuel injector-No.2 32, 41, 47
- Fuel injector-No.3 32, 41, 47
- Fuel injector-No.4 32, 41, 47
- Fuel injector-No.5 32, 41, 47
- Fuel injector-No.6 32, 41, 47
- Fuel injector-No.7 41, 47
- Fuel injector-No.8 41, 47
- Fuel tank-Diesel 54, 80, 81, 83, 98
- Fuel Tank-Petrol 53, 81, 83
- Generator 69, 70, 101, 102, 103, 104
- Glow plug 15, 75
- GPS antenna 141
- Handle-Driver door 96, 163, 164, 166
- Handle-Passenger door 96, 163, 164, 166
- Headlamp-LH 77, 82, 91, 93, 115, 116, 119, 120
- Headlamp-RH 77, 82, 91, 93, 115, 116, 119, 120
- Heated rear window (HRW) 80
- Heater-Block 93
- Heater-Electric booster 59, 70
- Heater-Seat backrest-Driver 97, 158
- Heater-Seat backrest-Passenger 97, 158
- Heater-Seat cushion-Driver 88, 90, 91, 158
- Heater-Seat cushion-Passenger 88, 90, 91, 158
- Heater-Steering wheel 5, 158
- Hood ajar switch 89, 93, 138
- Horn (s) 76, 93, 139
- Ignition coil-1 31, 40, 48
- Ignition coil-2 31, 40, 48
- Ignition coil-3 31, 40, 48
- Ignition coil-4 31, 40, 48
- Ignition coil-5 31, 40, 48
- Ignition coil-6 31, 40, 48
- Ignition coil-7 40, 48
- Ignition coil-8 40, 48
- Ignition coils 71, 73, 77
- Ignition coils-bank 1 72
- Ignition coils-bank 2 72
- Information and entertainment control module 79, 95, 105, 106, 125, 134
- Initiator-Front-LH 1
- Initiator-Front-RH 1
- Initiator-Rear-LH 1
- Initiator-Rear-RH 1
- Injectors 71, 73
- Injectors-bank 1 72
- Injectors-bank 2 72
- Instrument cluster 6, 55, 56, 57, 58, 60, 63, 64, 65, 69, 70, 77, 85, 89, 95, 117, 119, 120, 123, 124, 125, 130, 137, 140, 168, 172, 174
- Integrated audio module 79, 95, 105, 106, 108, 111, 134, 142
- Integrated control panel 86, 95, 125, 161
- iPod connector 112
- Keyless vehicle module 84, 85, 92, 99, 127, 129, 137, 140, 163, 164, 165, 166, 168
- Lamp-Fog guard-Rear-LH 82, 99, 117
- Lamp-Fog guard-Rear-RH 82, 99, 117
- Lamp-Footwell-Front-LH 83, 87, 121
- Lamp-Footwell-Front-RH 83, 87, 121
- Lamp-Glove compartment 87, 121
- Lamp-High mounted stop 82, 98, 118
- Lamp-Interior-Rear 83, 87, 98, 121
- Lamp-number plate and switch-Luggage compartment lid release 82, 84, 99, 120, 168
- Lamp-Sun visor-LH 87, 98, 121
- Lamp-Sun visor-RH 87, 98, 121
- Lamp-Trunk 82, 99, 122
- Latch-Glove compartment 92, 95, 143
- LED-Door handle-Front-LH 92, 96, 123
- LED-Door handle-Front-RH 92, 96, 123
- LH rear door handle module 165, 166
- LH rear door latch module 89, 98, 121, 138, 165, 170, 171
- LH rear surround sound speaker 107
- Liftgate Latch/Luggage Compartment Lid Latch 82, 89, 99, 122, 138, 168
- Megafuse-Electric booster heater 59, 70
- Mirror-Door-Driver side 62, 119, 122, 144, 145, 146, 147
- Mirror-Door-Passenger side 62, 119, 122, 144, 145, 146, 147
- Mirror-interior 90, 92, 98, 144

- Module-Blind spot monitoring-LH 83, 99, 127, 129, 146, 147
- Module-Blind spot monitoring-RH 83, 98, 99, 127, 129, 146, 147
- Module-Blower-motor control-Front 58, 60, 96
- Module-Climate Control 58, 59, 60, 85, 95, 125
- Module-Climate-controlled seat 85, 90, 98, 126, 128, 156, 157
- Module-Door latch-Driver 89, 96, 121, 138, 163, 164, 167, 169
- Module-Door latch-Passenger 89, 96, 121, 138, 163, 164, 167, 169
- Module-Driver-door 62, 79, 96, 119, 122, 126, 128, 138, 145, 146, 147, 152, 153, 154, 155, 159, 160, 167, 169, 170, 171
- Module-Fuel-pump driver 53, 80, 86, 98
- Module-Glove compartment control 87, 89, 95, 143
- Module-Headlamp control 77, 93, 116, 132
- Module-Parking brake 3, 79, 85, 90, 99, 131
- Module-Passenger-door 62, 79, 96, 119, 122, 126, 128, 138, 145, 146, 147, 159, 160, 167, 169, 170, 171
- Module-Portable audio interface 79, 98, 111, 112, 134
- Module-Rear door-LH 85, 98, 138, 160, 170, 171
- Module-Rear door-RH 85, 98, 138, 160, 170, 171
- Module-SDARS 79, 99, 113
- Module-Seat-occupancy 80, 97, 131, 174
- Module-speed control 57, 76, 90, 95, 130
- Module-steering column locking 83, 91, 130, 137
- Module-Telephone 79, 98, 134, 142
- Module-Tire pressure monitoring system 1, 79, 90, 98, 126, 128
- Module-Transmission shift 3, 9, 10, 11, 12, 49, 50, 51, 52, 75, 76, 84, 89, 90, 91, 98, 131, 140
- Module-Tuner-DAB 113
- Motor-Air distribution-Feet 59
- Motor-Blower 58, 60, 80
- Motor-Head restraint 150, 151, 152, 154
- Motor-LH inner register 59, 95
- Motor-LH outer register 59, 95
- Motor-Mode-Air-mix-LH 59
- Motor-Mode-Air-mix-RH 59
- Motor-Recirculated air 59
- Motor-Release-Fuel flap 82, 84, 99, 168
- Motor-RH inner register 59, 95
- Motor-RH outer register 59, 95
- Motor-Seat-Tilt-Driver 148, 149, 152, 153, 154, 155
- Motor-Seat-Tilt-Passenger 150, 151
- Motor-seat-forward rearward-driver 148, 149, 152, 153, 154, 155
- Motor-seat-forward rearward-passenger 150, 151
- Motor-Seat-Recline-Driver 148, 149, 152, 153, 154, 155
- Motor-Seat-Recline-Passenger 150, 151
- Motor-Sun blind 87, 98, 173
- Motor-Throttle 29, 38, 46
- Motor-Window-Passenger 159
- Motor-Window-Rear-LH 160
- Motor-Window-Rear-RH 160
- Motor-Window-Driver 159
- Motor-Wiper-Windscreen 78, 89, 93, 172
- Navigation system module 79, 99, 141
- Overhead console 66, 68, 83, 87, 88, 89, 90, 92, 96, 121, 123, 137, 142, 173, 174
- Parking aid sensor-Inner-Front-LH 68
- Parking aid sensor-Inner-Front-RH 68
- Parking aid sensor-Inner-Rear-LH 66
- Parking aid sensor-Inner-Rear-RH 66
- Parking aid sensor-Outer-Front-LH 68
- Parking aid sensor-Outer-Front-RH 68
- Parking aid sensor-Outer-Rear-LH 66
- Parking aid sensor-Outer-Rear-RH 66
- Parking aid module 66, 68, 83, 99, 127, 129
- Parking Brake Actuator 3
- Passenger door switch pack 159
- Passenger seat height motor 150, 151
- Passive-sounder 92, 93, 139
- Pedestrian protection module 80, 132, 178
- Pedestrian protection accelerometer - LH 178
- Pedestrian protection accelerometer-RH 178
- Power steering solenoid 64
- Pre-tensioner-Driver 174
- Pre-tensioner-Passenger 174
- Pump-Aircon water-Diesel 60, 90, 93
- Pump-Aircon water-Petrol 58, 90, 93
- Pump-Lumbar-Driver 97, 148, 149, 152, 153, 154, 155
- Pump-Lumbar-Passenger 97, 150, 151
- Pump-Power wash 78, 93, 172
- Pump-Washer-Windscreen 90, 93, 172
- Purge control valve 30, 39, 47, 71, 72, 73
- Rear window heater element 62
- Receiver-Radio-frequency (RF) 85, 98, 137, 140, 163, 164, 165, 166
- Receiver-Television 79, 99, 114
- Receiver-Tire-pressure monitoring 1, 79, 98
- Refrigerant solenoid valve 58, 60
- Relay-Transit 69, 70, 99
- Restraints Control Module (RCM) 53, 54, 80, 84, 95, 131, 174, 175, 176, 177
- RF filter 62
- RF filter (with TV installed grounds through fixing) 62
- RH rear door handle module 98, 165, 166
- RH rear door latch module 89, 98, 121, 138, 165, 170, 171
- RH rear surround sound speaker 107
- Roof opening panel control module 4, 85, 88, 92, 96, 173
- Screen air distribution door motor 59
- SDARS antenna 113
- Secondary Air Injection (SAI) pump 24, 33, 42, 74, 93
- Sensor-Fuel level 54, 81, 83
- Sensor-Sunlight 58, 60, 64, 137
- Sensor-Air quality 58, 60, 90, 93
- Sensor-ambient air temperature (part of LH door mirror assembly) 13, 29, 38, 46
- Sensor-Camshaft-position (CMP)-bank 1 26, 35, 43
- Sensor-Camshaft-position (CMP)-bank 2 26, 35, 43
- Sensor-Crankshaft-position (CKP) 26, 35, 43
- Sensor-Differential pressure 13
- Sensor-Driver-seat track 97, 174
- Sensor-DSC 4
- Sensor-Engine coolant-level 63
- Sensor-Engine coolant-temperature (ECT) 27, 36, 44
- Sensor-Engine coolant-level - DV6 65
- Sensor-Engine coolant-level - PV8NA 93
- Sensor-Engine coolant-level - PV8SC 63, 93
- Sensor-Evaporator 59
- Sensor-Front impact-Driver side 175, 176
- Sensor-Front impact-Passenger side 175, 176
- Sensor-Height-Front-RH 116
- Sensor-Height-Rear-RH 116
- Sensor-Knock-Bank 1 26
- Sensor-Knock-Bank 2 26
- Sensor-Low washer-fluid level 89, 93, 172

- Sensor-Manifold Absolute-Pressure (MAP) 35
- Sensor-MAP-Secondary air injection (SAI) 42
- Sensor-Mass air-flow (MAF) 16, 27, 36, 44, 71, 72, 73, 75
- Sensor-Oil-temperature 26, 35, 43
- Sensor-Oxygen-Even-Post catalyst 28, 37, 45, 74
- Sensor-Oxygen-Even-Pre-catalyst 28, 37, 45, 74
- Sensor-Oxygen-Odd-Post catalyst 28, 37, 45, 74
- Sensor-Oxygen-Odd-Pre-catalyst 28, 37, 45, 74
- Sensor-Position-Accelerator pedal 29, 38, 46, 56
- Sensor-Pressure-Air Conditioning 58, 60
- Sensor-Pressure-Fuel rail 26, 35, 43
- Sensor-Pressure-mat 97, 174
- Sensor-Rain 88, 92, 120, 172
- Sensor-Safety belt tension 174
- Sensor-Seat-occupancy 174
- Sensor-Side impact-LH side-Front 175, 176
- Sensor-Side impact-LH side-Rear 175, 176
- Sensor-Side impact-RH side-Front 175, 176
- Sensor-Side impact-RH side-Rear 175, 176
- Sensor-Steering-angle 4, 90
- Sensor-Temperature and Manifold-Absolute Pressure (TMAP) 26, 35, 43
- Sensor-Temperature-Fuel rail 26, 35, 43
- Sensor-Temperature-In-car 58, 60, 90, 95
- Sensor-Temperature-Catalytic converter-Downstream-Bank 1 14
- Sensor-Temperature-Catalytic converter-Downstream-Bank 2 14
- Sensor-Temperature-Catalytic converter-Upstream-Bank 1 14
- Sensor-Temperature-Catalytic converter-Upstream-Bank 2 14
- Sensor-Temperature-DPF 14
- Sensor-Tire-Front-LH 1
- Sensor-Tire-Front-RH 1
- Sensor-Tire-Rear-LH 1
- Sensor-Tire-Rear-RH 1
- Sensor-twin knock 35, 43
- Sensor-Yaw Rate 4, 90, 98
- Slip rings-Steering wheel 5, 90, 95, 158
- Socket-Accessory-Front 87, 98, 162
- Socket-Accessory-Rear 87
- Socket-auxiliary-trailer 79, 162
- Solenoid-Damper-Front-LH 2
- Solenoid-Damper-Front-RH 2
- Solenoid-Damper-Rear-LH 2
- Solenoid-Damper Rear-RH 2
- Solenoid-Lumbar-pump 152, 154
- Solenoid-Vacuum (SAI) 24, 33, 42, 74, 76
- Sounder-Battery backed 88, 92, 139
- Speaker-Low range-Front door-LH 107, 108, 109
- Speaker-Low range-Front door-RH 107, 108, 109
- Speaker-Low range-Rear door-LH 107, 108, 109
- Speaker-Low range-Rear door-RH 107, 108, 109
- Speaker-Mid range-Front door-LH 107
- Speaker-Mid range-Front door-RH 107
- Speaker-Subwoofer 107, 109
- Speed control sensor 57, 76, 90, 93
- Start control unit 64, 69, 70, 85, 95, 140
- Starter motor 9, 10, 11, 12, 69, 70, 77, 101, 102, 103, 104
- Stepper Motor-EGR 39, 47, 71, 72
- Stop lamp switch 3, 55, 56, 84, 85, 89, 90, 118
- Stud-cable junction 9, 10, 11, 12, 69, 70, 101, 102, 103, 104
- Stud-through panel 4, 7, 8, 9, 10, 11, 12, 13, 15, 16, 24, 25, 26, 27, 28, 29, 30, 31, 32, 33, 34, 35, 36, 37, 38, 39, 40, 41, 42, 43, 44, 45, 46, 47, 48, 49, 50, 51, 52, 53, 54, 55, 56, 57, 61, 64, 69, 70, 115, 116, 139, 162, 172
- Super charger coolant pump 34, 72, 93
- Suppressor-Ignition-coil 31, 40, 48
- Switch pack-Center Instrument panel 83, 84, 86, 89, 92, 95, 124, 161
- Switch pack-Seat-Driver 86, 97, 148, 149, 152, 153, 154, 155
- Switch pack-Seat-Passenger 86, 97, 150, 151
- Switch pack-Mirror-window-Driver 86, 96, 145, 159
- Switch-Auxiliary lighting 57, 63, 65, 77, 92, 93, 95, 115, 117, 123, 124, 168
- Switch-Brake-fluid level 64
- Switch-Buckle-Driver 97, 174
- Switch-Buckle-Passenger 97, 174
- Switch-Glove-compartment 95, 121
- Switch-Horn-LH 5, 139
- Switch-Horn-RH 5, 139
- Switch-Oil pressure 64
- Switch-Passenger air bag disable (dealer installation) 95, 177
- Switch-Remote-ICE 5, 55, 56, 105, 106, 124, 139
- Switch-Seat memory-Driver 96, 152, 153, 154, 155
- Switch-Steering column adjustment 6, 63, 65
- Switch-Steering column-Lighting 63, 65, 117, 119, 120
- Switch-Steering column-Wiper 63, 65, 172
- Switch-Window-Rear-LH 160
- Switch-Window-Rear-RH 160
- Tail lamp unit-LH 82, 99, 118, 119, 120
- Tail lamp unit-RH 82, 99, 118, 119, 120
- TCM and Control Valve Body 49, 50, 51, 52, 75, 76, 90, 94, 133
- Touch screen display 67, 79, 95, 114, 134, 141, 156, 157, 158
- Tweeter-Rear-LH 107, 108, 109
- Tweeter-Rear-RH 107, 108, 109
- Unit-Leak detection 53, 71, 72, 73
- Unit-Steering column 6, 63, 65, 95
- Upshift paddle switch 5
- Valve-Control-Fuel volume 16
- Valve-Inlet manifold tuning bank 1 25, 73
- Valve-Inlet manifold tuning bank 2 25, 73
- Valve-Oil-Variable-valve timing 71, 72, 73
- Valve-Pressure-control 75
- Variable Camshaft Timing (VCT) Unit-Bank 1 30, 39, 47
- Variable Camshaft Timing (VCT) Unit-Bank 2 30, 39, 47
- Wheel speed sensor-LH front 4
- Wheel speed sensor-LH rear 4
- Wheel speed sensor-RH front 4
- Wheel speed sensor-RH rear 4
- Windshield LH heater element 61, 78, 96

Connector	Description	Color	Cav	Location	Harness
C100	Engine control-module (ECM) - DV6	Brown	48	Passenger side of engine compartment	ENGINE DIESEL V6
C101	Engine control-module (ECM) - DV6	Grey	48	Passenger side of engine compartment	ENGINE DIESEL V6
C11-B	Link harness to engine compartment harness	Dark grey	6	Rear LH side of engine compartment	ANTI THEFT SOUNDER
C11-B	Engine compartment harness to link harness	Black	6	Rear LH side of engine compartment	ENGINE COMPARTMENT LH
C11-B	Engine compartment harness to link harness	Black	6	Rear LH side of engine compartment	ENGINE COMPARTMENT RH
C11-E	Engine compartment harness to bumper harness	Black	10	Behind LH front wheel arch liner	ENGINE COMPARTMENT LH
C11-E	Engine compartment harness to bumper harness	Black	10	Behind LH front wheel arch liner	ENGINE COMPARTMENT RH
C11-E	Bumper harness to engine compartment harness	Black	10	Behind LH front wheel arch liner	BUMPER FRONT
C11-F	Engine compartment harness to link harness	Black	10	Behind RH front wheel arch liner	ENGINE COMPARTMENT LH
C11-F	Engine compartment harness to link harness	Black	10	Behind RH front wheel arch liner	ENGINE COMPARTMENT RH
C11-F	Link harness to engine compartment harness	Black	10	Behind RH front wheel arch liner	COOLING PACK
C11-G	Engine compartment harness to link harness	Dark grey	4	Behind RH side of front bumper	ENGINE COMPARTMENT LH
C11-G	Engine compartment harness to link harness	Dark grey	4	Behind RH side of front bumper	ENGINE COMPARTMENT RH
C11-G	Link harness to engine compartment harness	Dark grey	4	Behind RH side of front bumper	COOLING PACK
C11-H	Engine compartment harness to glow plug harness	Black	3	Top of engine - LH side	ENGINE COMPARTMENT LH
C11-H	Engine compartment harness to glow plug harness	Black	3	Top of engine - LH side	ENGINE COMPARTMENT RH
C11-J	Engine compartment harness to glow plug harness	Black	3	Top of engine - RH side	ENGINE COMPARTMENT LH
C11-J	Engine compartment harness to glow plug harness	Black	3	Top of engine - RH side	ENGINE COMPARTMENT RH
C11-K	Transmission harness to engine harness	Black	16	Rear of engine compartment - center	GEARBOX AUTO
C11-L	Transmission harness to engine harness	Black	12	Rear of engine compartment - center	GEARBOX AUTO
C11-P	Engine compartment harness to engine harness	Black	42	Rear RH side of engine compartment	ENGINE COMPARTMENT LH
C11-P	Engine compartment harness to engine harness	Black	42	Rear LH side of engine compartment	ENGINE COMPARTMENT RH
C11-P	Engine harness to engine compartment harness	Black	42	Passenger side of engine compartment	ENGINE PETROL V8 N/A
C11-P	Engine harness to engine compartment harness	Black	42	Passenger side of engine compartment	ENGINE PETROL V8 S/C
C11-P	Engine harness to engine compartment harness	Black	42	Passenger side of engine compartment	ENGINE PETROL V8 S/C
C12-A	Engine compartment harness to instrument panel harness	Grey	20	Base of RH 'A' post	ENGINE COMPARTMENT LH
C12-A	Instrument panel harness to engine compartment harness	Grey	20	Base of RH 'A' post	INSTRUMENT PANEL LHD
C12-A	Engine compartment harness to instrument panel harness	Grey	20	Base of RH 'A' post	ENGINE COMPARTMENT RH
C12-A	Instrument panel harness to engine compartment harness	Grey	20	Base of RH 'A' post	INSTRUMENT PANEL RHD
C12-B	Engine compartment harness to instrument panel harness	Green	16	Base of RH 'A' post	ENGINE COMPARTMENT LH
C12-B	Instrument panel harness to engine compartment harness	Green	16	Base of RH 'A' post	INSTRUMENT PANEL LHD
C12-B	Engine compartment harness to instrument panel harness	Green	16	Base of RH 'A' post	ENGINE COMPARTMENT RH
C12-B	Instrument panel harness to engine compartment harness	Green	16	Base of RH 'A' post	INSTRUMENT PANEL RHD
C12-D	Air conditioning (A/C) harness to instrument panel harness	Light grey	2	Behind center of Instrument panel	ATC LHD
C12-D	Instrument panel harness to A/C harness	Light grey	2	Behind center of Instrument panel	INSTRUMENT PANEL LHD
C12-D	Air conditioning (A/C) harness to instrument panel harness	Light grey	2	Behind center of Instrument panel	ATC RHD
C12-D	Instrument panel harness to A/C harness	Light grey	2	Behind center of Instrument panel	INSTRUMENT PANEL RHD
C13-A	Engine compartment harness to main harness	Black	20	RH 'A' post	ENGINE COMPARTMENT RH
C13-A	Main harness to engine compartment harness	Black	20	RH 'A' post	BODY RH
C13-A	Engine compartment harness to main harness	Black	20	RH 'A' post	ENGINE COMPARTMENT LH

Connector	Description	Color	Cav	Location	Harness
C13-A	Main harness to engine compartment harness	Black	20	RH 'A' post	BODY LH
C13-B	Engine compartment harness to main harness	Black	20	Base of LH 'A' post	ENGINE COMPARTMENT LH
C13-B	Main harness to engine compartment harness	Black	20	Base of LH 'A' post	BODY LH
C13-B	Engine compartment harness to main harness	Black	20	Base of LH 'A' post	ENGINE COMPARTMENT RH
C13-B	Main harness to engine compartment harness	Black	20	Base of LH 'A' post	BODY RH
C13-C	Engine compartment harness to main harness	Blue	16	LH 'A' post	ENGINE COMPARTMENT RH
C13-C	Main harness to engine compartment harness	Blue	16	LH 'A' post	BODY RH
C13-C	Engine compartment harness to main harness	Blue	16	RH 'A' post	ENGINE COMPARTMENT LH
C13-C	Main harness to engine compartment harness	Blue	16	RH 'A' post	BODY LH
C13-D	Engine compartment harness to main harness	Light grey	14	RH 'A' post	ENGINE COMPARTMENT RH
C13-D	Main harness to engine compartment harness	Light grey	14	RH 'A' post	BODY RH
C13-D	Engine compartment harness to main harness	Light grey	14	RH 'A' post	ENGINE COMPARTMENT LH
C13-D	Main harness to engine compartment harness	Light grey	14	RH 'A' post	BODY LH
C13-E	Engine compartment harness to main harness	Light grey	14	Base of LH 'A' post	ENGINE COMPARTMENT LH
C13-E	Main harness to engine compartment harness	Light grey	14	Base of LH 'A' post	BODY LH
C13-E	Engine compartment harness to main harness	Light grey	14	Base of LH 'A' post	ENGINE COMPARTMENT RH
C13-E	Main harness to engine compartment harness	Light grey	14	Base of LH 'A' post	BODY RH
C1BB01A	Junction-box engine		1	Beneath engine compartment fusebox	ENGINE COMPARTMENT LH
C1BB01A	Junction-box engine		1	Beneath engine compartment fusebox	ENGINE COMPARTMENT RH
C1BB01A	Junction-box engine		1	Beneath engine compartment fusebox	BATTERY CABLE THROUGH STUD
C1BB01B	Junction-box engine	Black	168	Beneath engine compartment fusebox	ENGINE COMPARTMENT LH
C1BB01B	Junction-box engine	Black	168	Beneath engine compartment fusebox	ENGINE COMPARTMENT RH
C1CA01	ABS module	Black	38	Rear RH side of engine compartment	ENGINE COMPARTMENT LH
C1CA01	ABS module	Black	38	Rear LH side of engine compartment	ENGINE COMPARTMENT RH
C1CA03	Wheel speed sensor-LH front	Black	2	Behind LH front wheel arch liner	ENGINE COMPARTMENT LH
C1CA03	Wheel speed sensor-LH front	Black	2	Behind LH front wheel arch liner	ENGINE COMPARTMENT RH
C1CA05	Wheel speed sensor-RH front	Black	2	Behind RH front wheel arch liner	ENGINE COMPARTMENT LH
C1CA05	Wheel speed sensor-RH front	Black	2	Behind RH front wheel arch liner	ENGINE COMPARTMENT RH
C1CA37	Sensor-Dynamic-stability control	Black	4	Rear LH side of engine compartment	ENGINE COMPARTMENT LH
C1CA37	Sensor-Dynamic-stability control	Black	4	Rear RH side of engine compartment	ENGINE COMPARTMENT RH
C1CD03B	Solenoid-Damper-Front-LH	Black	2	Under bonnet, LH suspension turret	ENGINE COMPARTMENT LH
C1CD03B	Solenoid-Damper-Front-LH	Black	2	Under bonnet, LH suspension turret	ENGINE COMPARTMENT RH
C1CD04B	Solenoid-Damper-Front-RH	Black	2	Under bonnet, RH suspension turret	ENGINE COMPARTMENT LH
C1CD04B	Solenoid-Damper-Front-RH	Black	2	Under bonnet, RH suspension turret	ENGINE COMPARTMENT RH
C1CD08B	Accelerometer-Front right	Dark grey	3	Behind RH front wheel arch liner	ENGINE COMPARTMENT LH
C1CD08B	Accelerometer-Front right	Dark grey	3	Behind RH front wheel arch liner	ENGINE COMPARTMENT RH
C1CS05A	Power steering solenoid	Natural	2	Beneath front of vehicle LH side	ENGINE COMPARTMENT LH
C1CS05A	Power steering solenoid	Natural	2	Beneath front of vehicle RH side	ENGINE COMPARTMENT RH
C1CS05B	Link harness to engine compartment harness	Black	2	Beneath front of vehicle LH side	JUMPER
C1CS05C	Link harness to engine compartment harness	Natural	2	Beneath front of vehicle LH side	JUMPER
C1D101	Starter motor - DV6		1	Lower rear of engine - RH side	STARTER DIESEL

Connector	Description	Color	Cav	Location	Harness
C1D101	Starter motor - PV6		1	Lower rear of engine - RH side	STARTER V6
C1D101	Starter motor - PV8		1	Lower rear of engine - RH side	STARTER V8
C1DC12A	Stud-cable junction		1	Behind RH front wheel arch liner	MEGAFUSE FUSE BOX TO DASH PETROL
C1DC12A	Stud-cable junction		1	Behind RH front wheel arch liner	STEERING WHEEL REMOTE ICE SWITCH
C1DC12B	Stud-cable junction - DV6		1	Behind RH front wheel arch liner	STARTER DIESEL
C1DC12B	Stud-cable junction - PV6		1	Behind RH front wheel arch liner	STARTER V6
C1DC12B	Stud-cable junction - PV8		1	Behind RH front wheel arch liner	STARTER V8
C1DC14	Starter motor - PV8		1	Lower rear of engine - RH side	STARTER V8
C1DC16	Generator - DV6		1	RH side of engine	STARTER DIESEL
C1DC16	Generator - PV6		1	RH side of engine	STARTER V6
C1DC16	Generator - PV8		1	RH side of engine	STARTER V8
C1DC35	Starter motor - DV6		1	RH side of engine	STARTER DIESEL
C1DC35	Starter motor - PV6		1	Lower rear of engine - RH side	STARTER V6
C1DC35	Starter motor - PV8		1	Lower rear of engine - RH side	STARTER V8
C1E115A	Engine control-module (ECM) - DV6	Black	48	Passenger side of engine compartment	ENGINE COMPARTMENT LH
C1E115A	Engine control-module (ECM) - DV6	Black	48	Passenger side of engine compartment	ENGINE COMPARTMENT RH
C1E117B	Engine control-module (ECM)	Black	58	Passenger side of engine compartment	ENGINE COMPARTMENT LH
C1E117B	Engine control-module (ECM)	Black	58	Passenger side of engine compartment	ENGINE COMPARTMENT RH
C1E318A	Pump-Aircon water-Petrol	Black	2	Behind radiator RH side	COOLING PACK
C1E318B	Pump-Supercharge-coolant	Black	2	Behind radiator RH side	COOLING PACK
C1E318C	Pump-Aircon water-Diesel	Black	2	Behind radiator RH side	COOLING PACK
C1E402	Secondary Air Injection (SAI) pump	Dark grey	2	Behind LH front wheel arch liner	ENGINE COMPARTMENT LH
C1E402	Secondary Air Injection (SAI) pump	Dark grey	2	Behind LH front wheel arch liner	ENGINE COMPARTMENT RH
C1E708	Sensor-Differential pressure	Dark grey	3	Front RH side of engine compartment	ENGINE COMPARTMENT LH
C1E708	Sensor-Differential pressure	Dark grey	3	Front RH side of engine compartment	ENGINE COMPARTMENT RH
C1E709A	Sensor-Temperature-Catalytic converter-Downstream	Dark grey	2	RH side of gearbox	GEARBOX AUTO
C1E709B	Sensor-Temperature-Catalytic converter-Downstream	Dark grey	2	LH side of gearbox	GEARBOX AUTO
C1E710A	Sensor-Temperature-Catalytic converter-Upstream	Black	2	RH side of gearbox	GEARBOX AUTO
C1E710B	Sensor-Temperature-Catalytic converter-Upstream	Black	2	LH side of gearbox	GEARBOX AUTO
C1E747	Sensor-Temperature-Catalytic converter-Upstream	Brown	2	RH side of gearbox	GEARBOX AUTO
C1E803B	Sensor-MAP-Secondary air injection (SAI)	Black	3	Behind LH front wheel arch liner	ENGINE COMPARTMENT LH
C1E803B	Sensor-MAP-Secondary air injection (SAI)	Black	3	Behind LH front wheel arch liner	ENGINE COMPARTMENT RH
C1E807B	Sensor-Mass air-flow (MAF) - DV6	Black	4	Front LH side of engine compartment	ENGINE COMPARTMENT LH
C1E807B	Sensor-Mass air-flow (MAF) - DV6	Black	4	Front LH side of engine compartment	ENGINE COMPARTMENT RH
C1E808B	Sensor-Mass air-flow (MAF) - DV6	Black	4	Front LH side of engine compartment	ENGINE COMPARTMENT LH
C1E808B	Sensor-Mass air-flow (MAF) - DV6	Black	4	Front LH side of engine compartment	ENGINE COMPARTMENT RH
C1EC01A	Control Unit-Cooling Fan	Black	2	Behind RH front wheel arch liner	ENGINE COMPARTMENT LH
C1EC01A	Control Unit-Cooling Fan	Black	2	Behind RH front wheel arch liner	ENGINE COMPARTMENT RH
C1EC01B	Control Unit-Cooling Fan	Black	2	Behind RH front wheel arch liner	ENGINE COMPARTMENT LH
C1EC01B	Control Unit-Cooling Fan	Black	2	Behind RH front wheel arch liner	ENGINE COMPARTMENT RH

Connector	Description	Color	Cav	Location	Harness
C1EC01C	Control Unit-Cooling Fan	Black	4	Behind RH side of front bumper	ENGINE COMPARTMENT LH
C1EC01C	Control Unit-Cooling Fan	Black	4	Behind RH side of front bumper	ENGINE COMPARTMENT RH
C1H433	Sensor-Pressure-Air Conditioning	Black	3	Behind LH headlamp	ENGINE COMPARTMENT LH
C1H433	Sensor-Pressure-Air Conditioning	Black	3	Behind LH headlamp	ENGINE COMPARTMENT RH
C1H454	Sensor-Air quality	Black	6	Behind the front grille	ENGINE COMPARTMENT LH
C1H454	Sensor-Air quality	Black	6	Behind the front grille	ENGINE COMPARTMENT RH
C1LF08	Headlamp-LH	Black	16	Behind LH headlamp	ENGINE COMPARTMENT LH
C1LF08	Headlamp-LH	Black	16	Behind LH headlamp	ENGINE COMPARTMENT RH
C1LF09	Headlamp-RH	Black	16	Behind RH headlamp	ENGINE COMPARTMENT LH
C1LF09	Headlamp-RH	Black	16	Behind RH headlamp	ENGINE COMPARTMENT RH
C1LF15	Sensor-Height-Front-RH	Black	6	Beneath front of vehicle RH side	ENGINE COMPARTMENT LH
C1LF15	Sensor-Height-Front-RH	Black	6	Beneath front of vehicle RH side	ENGINE COMPARTMENT RH
C1LF39	Module-Headlamp control	Black	18	Passenger footwell	ENGINE COMPARTMENT LH
C1LF39	Module-Headlamp control	Black	18	Passenger footwell	ENGINE COMPARTMENT RH
C1MC19	Switch-Brake-fluid level	Black	2	Rear of engine compartment - driver side	ENGINE COMPARTMENT LH
C1MC19	Switch-Brake-fluid level	Black	2	Rear of engine compartment - driver side	ENGINE COMPARTMENT RH
C1MC20	Sensor-Low washer-fluid level	Black	2	Behind RH front wheel arch liner	ENGINE COMPARTMENT LH
C1MC20	Sensor-Low washer-fluid level	Black	2	Behind RH front wheel arch liner	ENGINE COMPARTMENT RH
C1MC21A	Sensor-Engine coolant-level	Black	2	Front of engine compartment - center	COOLING PACK
C1MC21B	Sensor-Engine coolant-level - PV8SC	Black	3	LH side of engine compartment	ENGINE COMPARTMENT LH
C1MC21B	Sensor-Engine coolant-level - PV8SC	Black	2	LH side of engine compartment	ENGINE COMPARTMENT RH
C1MC40	Initiator-Front-LH	Grey	2	Behind LH front wheel arch liner	ENGINE COMPARTMENT LH
C1MC40	Initiator-Front-LH	Grey	2	Behind LH front wheel arch liner	ENGINE COMPARTMENT RH
C1MC41	Initiator-Front-RH	Grey	2	Behind RH front wheel arch liner	ENGINE COMPARTMENT LH
C1MC41	Initiator-Front-RH	Grey	2	Behind RH front wheel arch liner	ENGINE COMPARTMENT RH
C1MF04	Adaptive speed control sensor	Black	5	Behind center of bumper	ENGINE COMPARTMENT LH
C1MF04	Adaptive speed control sensor	Black	5	Behind center of bumper	ENGINE COMPARTMENT RH
C1MP10	Parking aid sensor-Inner-Front-LH	Black	3	Behind LH side of front bumper	BUMPER FRONT
C1MP11	Parking aid sensor-Outer-Front-LH	Black	3	Behind LH side of front bumper	BUMPER FRONT
C1MP12	Parking aid sensor-Inner-Front-RH	Black	3	Behind RH side of front bumper	BUMPER FRONT
C1MP13	Parking aid sensor-Outer-Front-RH	Black	3	Behind RH side of front bumper	BUMPER FRONT
C1PL25	Hood ajar switch	Black	2	Behind the front grille	ENGINE COMPARTMENT LH
C1PL25	Hood ajar switch	Black	2	Behind the front grille	ENGINE COMPARTMENT RH
C1R213	Sensor-Front impact-Driver side	Black	2	Behind LH headlamp	ENGINE COMPARTMENT LH
C1R213	Sensor-Front impact-Passenger side	Black	2	Behind LH headlamp	ENGINE COMPARTMENT RH
C1R214	Sensor-Front impact-Driver side	Black	2	Behind RH headlamp	ENGINE COMPARTMENT LH
C1R214	Sensor-Front impact-Passenger side	Black	2	Behind RH headlamp	ENGINE COMPARTMENT RH
C1RH02	Horn (s)	Black	2	In front of radiator	ENGINE COMPARTMENT LH
C1RH02	Horn (s)	Black	2	In front of radiator	ENGINE COMPARTMENT RH
C1RP01	Pedestrian protection accelerometer - LH	Black	2	Behind LH side of front bumper	BUMPER FRONT
C1RP02	Pedestrian protection accelerometer-RH	Black	2	Behind RH side of front bumper	BUMPER FRONT

Connector	Description	Color	Cav	Location	Harness
C1RP04	Actuator-Hood latch-RH	Yellow	2	Rear RH side of engine compartment	ENGINE COMPARTMENT LH
C1RP04	Actuator-Hood latch-RH	Yellow	2	Rear RH side of engine compartment	ENGINE COMPARTMENT RH
C1RP05	Actuator-Hood latch-LH	Yellow	2	Rear LH side of engine compartment	ENGINE COMPARTMENT LH
C1RP05	Actuator-Hood latch-LH	Yellow	2	Rear LH side of engine compartment	ENGINE COMPARTMENT RH
C1RT02A	Passive-sounder	Red	1	Rear LH side of engine compartment	ANTI THEFT SOUNDER
C1RT02B	Passive-sounder	Red	1	Rear LH side of engine compartment	ANTI THEFT SOUNDER
C1RT16	Sounder-Battery backed	Black	3	Rear LH side of engine compartment	ANTI THEFT SOUNDER
C1RW01	Motor-Wiper-Windscreen	Black	4	Rear RH side of engine compartment	ENGINE COMPARTMENT LH
C1RW01	Motor-Wiper-Windscreen	Black	4	Rear RH side of engine compartment	ENGINE COMPARTMENT RH
C1RW14	Pump-Washer-Windscreen	Black	2	Behind RH front wheel arch liner	ENGINE COMPARTMENT LH
C1RW14	Pump-Washer-Windscreen	Black	2	Behind RH front wheel arch liner	ENGINE COMPARTMENT RH
C1RW18	Pump-Power wash	Dark grey	2	Behind RH front wheel arch liner	ENGINE COMPARTMENT LH
C1RW18	Pump-Power wash	Dark grey	2	Behind RH front wheel arch liner	ENGINE COMPARTMENT RH
C23-A	Instrument panel harness to main harness	Green	16	Behind LH side of Instrument panel	INSTRUMENT PANEL LHD
C23-A	Main harness to instrument panel harness	Green	16	Behind LH side of Instrument panel	BODY LH
C23-A	Instrument panel harness to main harness	Green	16	Behind LH side of Instrument panel	INSTRUMENT PANEL RHD
C23-A	Main harness to instrument panel harness	Green	16	Behind LH side of Instrument panel	BODY RH
C23-B	Main harness to link harness	Grey	4	Behind RH side of Instrument panel	BODY LH
C23-B	Passenger air bag harness to main harness	Grey	4	Behind RH side of Instrument panel	PASSENGER AIRBAG LINK
C23-B	Main harness to link harness	Grey	4	Behind LH side of Instrument panel	BODY RH
C23-B	Passenger air bag harness to main harness	Grey	4	Behind LH side of Instrument panel	PASSENGER AIRBAG LINK
C23-C	Instrument panel harness to main harness	Grey	4	Behind LH side of Instrument panel	INSTRUMENT PANEL LHD
C23-C	Main harness to instrument panel harness	Grey	4	Behind LH side of Instrument panel	BODY LH
C23-C	Instrument panel harness to main harness	Grey	4	Behind RH side of Instrument panel	INSTRUMENT PANEL RHD
C23-C	Main harness to instrument panel harness	Grey	4	Behind RH side of Instrument panel	BODY RH
C23-D	Instrument panel harness to main harness	Light grey	14	Behind RH side of Instrument panel	INSTRUMENT PANEL LHD
C23-D	Main harness to instrument panel harness	Light grey	14	Behind RH side of Instrument panel	BODY LH
C23-D	Instrument panel harness to main harness	Light grey	14	Behind RH side of Instrument panel	INSTRUMENT PANEL RHD
C23-D	Main harness to instrument panel harness	Light grey	14	Behind RH side of Instrument panel	BODY RH
C23-E	Instrument panel harness to main harness	Light grey	12	Behind LH side of Instrument panel	INSTRUMENT PANEL LHD
C23-E	Main harness to instrument panel harness	Light grey	12	Behind LH side of Instrument panel	BODY LH
C23-E	Instrument panel harness to main harness	Light grey	12	Behind LH side of Instrument panel	INSTRUMENT PANEL RHD
C23-E	Main harness to instrument panel harness	Light grey	12	Behind LH side of Instrument panel	BODY RH
C23-F	Instrument panel harness to main harness		1	Beneath center console	INSTRUMENT PANEL LHD
C23-F	Instrument panel harness to main harness		1	Beneath center console	INSTRUMENT PANEL RHD
C23-F	Main harness to instrument panel harness		1	Beneath center console	BODY LH
C23-F	Main harness to instrument panel harness		1	Beneath center console	BODY RH
C23-G	Instrument panel harness to main harness		1	Beneath center console	INSTRUMENT PANEL LHD
C23-G	Instrument panel harness to main harness		1	Beneath center console	INSTRUMENT PANEL RHD
C23-G	Main harness to instrument panel harness		1	Beneath center console	BODY LH

Connector	Description	Color	Cav	Location	Harness
C23-G	Main harness to instrument panel harness		1	Beneath center console	BODY RH
C23-H	Instrument panel harness to main harness		2	Beneath center console	INSTRUMENT PANEL LHD
C23-H	Instrument panel harness to main harness		2	Beneath center console	INSTRUMENT PANEL RHD
C23-H	Main harness to instrument panel harness		1	Beneath center console	BODY LH
C23-H	Main harness to instrument panel harness		1	Beneath center console	BODY RH
C23-H	Link harness to main harness	Black	2	Beneath center console	REAR LINK MOST SET
C23-J	Instrument panel harness to main harness		2	Beneath center console	INSTRUMENT PANEL LHD
C23-J	Instrument panel harness to main harness		2	Beneath center console	INSTRUMENT PANEL RHD
C23-J	Main harness to instrument panel harness		1	Beneath center console	BODY LH
C23-J	Main harness to instrument panel harness		1	Beneath center console	BODY RH
C23-J	Link harness to main harness	Black	2	Beneath center console	SEAT LINK MOST SET
C23-K	Instrument panel harness to main harness		1	Beneath center console	INSTRUMENT PANEL LHD
C23-K	Instrument panel harness to main harness		1	Beneath center console	INSTRUMENT PANEL RHD
C23-K	Main harness to instrument panel harness		1	Beneath center console	BODY LH
C23-K	Main harness to instrument panel harness		1	Beneath center console	BODY RH
C23-L	Main harness to air conditioning (A/C) harness	Natural	2	Beneath center console RH side	BODY LH
C23-L	Main harness to air conditioning (A/C) harness	Natural	2	Beneath center console RH side	BODY RH
C23-L	Air conditioning (A/C) harness to main harness	Natural	2	Beneath center console RH side	ATC RHD
C23-L	Air conditioning (A/C) harness to main harness	Natural	2	Beneath center console RH side	ATC LHD
C23-M	Instrument panel harness to main harness		1	Beneath center console	INSTRUMENT PANEL LHD
C23-M	Instrument panel harness to main harness		1	Beneath center console	INSTRUMENT PANEL RHD
C23-R	Instrument panel harness to main harness	Natural	20	Behind RH side of Instrument panel	INSTRUMENT PANEL LHD
C23-R	Main harness to instrument panel harness	Natural	20	Behind RH side of Instrument panel	BODY LH
C23-R	Instrument panel harness to main harness	Natural	20	Behind RH side of Instrument panel	INSTRUMENT PANEL RHD
C23-R	Main harness to instrument panel harness	Natural	20	Behind RH side of Instrument panel	BODY RH
C25	Sensor-Camshaft-position (CMP) - DV6	Grey	3	LH side of engine	ENGINE DIESEL V6
C28	Sensor-Oil-temperature - DV6	Black	2	Lower front of engine - RH side	ENGINE DIESEL V6
C29	Switch-Oil pressure - DV6	Black	1	Top of engine	ENGINE DIESEL V6
C2CA29	Stop lamp switch	Natural	4	Driver footwell	ENGINE COMPARTMENT LH
C2CA29	Stop lamp switch	Natural	4	Driver footwell	ENGINE COMPARTMENT RH
C2CS06	Sensor-Steering-angle	Grey	4	Underside of steering column	INSTRUMENT PANEL LHD
C2CS06	Sensor-Steering-angle	Grey	4	Underside of steering column	INSTRUMENT PANEL RHD
C2DB04A	Connector-MOST diagnostic		1	Behind footwell trim panel - LH side	INSTRUMENT PANEL LHD
C2DB04A	Connector-MOST diagnostic		1	Under RH side of Instrument panel	INSTRUMENT PANEL RHD
C2DB04B	Diagnostic Connector	Black	16	Behind footwell trim panel - LH side	INSTRUMENT PANEL LHD
C2DB04B	Diagnostic Connector	Black	16	Under RH side of Instrument panel	INSTRUMENT PANEL RHD
C2DC06	Start control unit	Grey	6	Driver footwell	INSTRUMENT PANEL LHD
C2DC06	Start control unit	Grey	6	Behind driver side of Instrument panel	INSTRUMENT PANEL RHD
C2E818	Sensor-Position-Accelerator pedal	Black	6	Driver footwell	ENGINE COMPARTMENT LH
C2E818	Sensor-Position-Accelerator pedal	Black	6	Driver footwell	ENGINE COMPARTMENT RH
C2H101A	Module-Climate Control	Natural	26	Climate control assembly	INSTRUMENT PANEL LHD

Connector	Description	Color	Cav	Location	Harness
C2H101A	Module-Climate Control	Natural	26	Climate control assembly	INSTRUMENT PANEL RHD
C2H101C	Module-Climate Control	Natural	30	Climate control assembly	ATC RHD
C2H101C	Module-Climate Control	Natural	30	Climate control assembly	ATC LHD
C2H102	Module-Blower-motor control-Front	Black	5	Climate control assembly	ATC LHD
C2H102	Module-Blower-motor control-Front	Black	5	Climate control assembly	ATC RHD
C2H123	Motor-Blower			Climate control assembly	ATC LHD
C2H123	Motor-Blower			Climate control assembly	ATC RHD
C2H201	Motor-Air distribution-Feet	Black	6	Climate control assembly	ATC LHD
C2H201	Motor-Air distribution-Feet	Black	6	Climate control assembly	ATC RHD
C2H206	Motor-Recirculated air	Green	7	Climate control assembly	ATC LHD
C2H206	Motor-Recirculated air	Green	7	Climate control assembly	ATC RHD
C2H211	Motor-Mode-Air-mix-RH			Climate control assembly	ATC LHD
C2H211	Motor-Mode-Air-mix-RH			Climate control assembly	ATC RHD
C2H227	Screen air distribution door motor			Climate control assembly	ATC LHD
C2H227	Screen air distribution door motor			Climate control assembly	ATC RHD
C2H237	Motor-Mode-Air-mix-LH			Climate control assembly	ATC LHD
C2H237	Motor-Mode-Air-mix-LH			Climate control assembly	ATC RHD
C2H406	Sensor-Evaporator	Natural	2	Climate control assembly	ATC LHD
C2H406	Sensor-Evaporator	Natural	2	Climate control assembly	ATC RHD
C2H414	Sensor-Temperature-In-car	Grey	6	Behind passenger side of Instrument panel	INSTRUMENT PANEL LHD
C2H414	Sensor-Temperature-In-car	Grey	6	Behind LH side of Instrument panel	INSTRUMENT PANEL RHD
C2H415	Sensor-Sunlight	Black	6	Instrument panel - top center	INSTRUMENT PANEL LHD
C2H415	Sensor-Sunlight	Black	6	Instrument panel - top center	INSTRUMENT PANEL RHD
C2H427	Motor-LH outer register	Black	4	Behind driver side of Instrument panel	INSTRUMENT PANEL LHD
C2H427	Motor-LH outer register	Black	4	Behind passenger side of Instrument panel	INSTRUMENT PANEL RHD
C2H428	Motor-RH inner register	Black	4	Behind passenger side of Instrument panel	INSTRUMENT PANEL LHD
C2H428	Motor-RH inner register	Black	4	Behind driver side of Instrument panel	INSTRUMENT PANEL RHD
C2H429	Motor-LH inner register	Black	4	Behind driver side of Instrument panel	INSTRUMENT PANEL LHD
C2H429	Motor-LH inner register	Black	4	Behind passenger side of Instrument panel	INSTRUMENT PANEL RHD
C2H430	Motor-RH outer register	Black	4	Behind RH side of Instrument panel	INSTRUMENT PANEL LHD
C2H430	Motor-RH outer register	Black	4	Behind driver side of Instrument panel	INSTRUMENT PANEL RHD
C2HP01A	Heater-Electric booster	Black	2	Under LH side of Instrument panel	ATC RHD
C2HP01A	Heater-Electric booster	Black	2	Under LH side of Instrument panel	ATC LHD
C2HP01B	Heater-Electric booster	Red	1	Under LH side of Instrument panel	PTC CABLE POSITIVE
C2HP01C	Heater-Electric booster	Black	1	Under LH side of Instrument panel	PTC CABLE NEGATIVE
C2LF23	Switch-Auxiliary lighting	Black	12	Behind driver side of Instrument panel	INSTRUMENT PANEL LHD
C2LF23	Switch-Auxiliary lighting	Black	12	Behind driver side of Instrument panel	INSTRUMENT PANEL RHD
C2LF27	Switch-Steering column-Lighting	Black	6	Behind steering column cowl	INSTRUMENT PANEL LHD
C2LF27	Switch-Steering column-Lighting	Black	6	Behind steering column cowl	INSTRUMENT PANEL RHD
C2LN12	Switch-Glove-compartment	Black	2	Behind glove compartment	INSTRUMENT PANEL LHD

Connector	Description	Color	Cav	Location	Harness
C2LN12	Switch-Glove-compartment	Black	2	Behind glove compartment	INSTRUMENT PANEL RHD
C2LN15	Lamp-Glove compartment	Black	2	Behind glove compartment	INSTRUMENT PANEL LHD
C2LN15	Lamp-Glove compartment	Black	2	Glove compartment - inside	INSTRUMENT PANEL RHD
C2LN38	Lamp-Footwell-Front-LH	Natural	2	Driver footwell	INSTRUMENT PANEL LHD
C2LN38	Lamp-Footwell-Front-LH	Natural	2	Passenger footwell	INSTRUMENT PANEL RHD
C2LN39	Lamp-Footwell-Front-RH	Natural	2	Passenger footwell	INSTRUMENT PANEL LHD
C2LN39	Lamp-Footwell-Front-RH	Natural	2	Driver footwell	INSTRUMENT PANEL RHD
C2MC01A	Instrument cluster	Black	32	Behind instrument cluster	INSTRUMENT PANEL LHD
C2MC01A	Instrument cluster	Black	32	Behind instrument cluster	INSTRUMENT PANEL RHD
C2MC01B	Instrument cluster	Black	32	Behind instrument cluster	INSTRUMENT PANEL LHD
C2MC01B	Instrument cluster	Black	32	Behind instrument cluster	INSTRUMENT PANEL RHD
C2MC02A	Touch screen display	Grey	12	Behind radio	INSTRUMENT PANEL LHD
C2MC02A	Touch screen display	Grey	12	Behind radio	INSTRUMENT PANEL RHD
C2MC02B	Touch screen display		1	Behind radio	INSTRUMENT PANEL LHD
C2MC02B	Touch screen display		1	Behind radio	INSTRUMENT PANEL RHD
C2MC02C	Touch screen display		1	Behind radio	INSTRUMENT PANEL LHD
C2MC02C	Touch screen display		1	Behind radio	INSTRUMENT PANEL RHD
C2MC02D	Touch screen display		1	Behind radio	INSTRUMENT PANEL LHD
C2MC02D	Touch screen display		1	Behind radio	INSTRUMENT PANEL RHD
C2MC02E	Touch screen display		1	Behind radio	INSTRUMENT PANEL LHD
C2MC02E	Touch screen display		1	Behind radio	INSTRUMENT PANEL RHD
C2ME03A	Integrated audio module	Light grey	14	Behind radio	INSTRUMENT PANEL LHD
C2ME03A	Integrated audio module	Light grey	14	Behind radio	INSTRUMENT PANEL RHD
C2ME03B	Integrated audio module	Grey	12	Behind radio	INSTRUMENT PANEL LHD
C2ME03B	Integrated audio module	Grey	12	Behind radio	INSTRUMENT PANEL RHD
C2ME03C	Integrated audio module		1	Behind radio	INSTRUMENT PANEL LHD
C2ME03C	Integrated audio module		1	Behind radio	INSTRUMENT PANEL RHD
C2ME03D	Integrated audio module		1	Behind radio	INSTRUMENT PANEL LHD
C2ME03D	Integrated audio module		1	Behind radio	INSTRUMENT PANEL RHD
C2ME06	Center speaker	Black	3	Instrument panel - top center	INSTRUMENT PANEL LHD
C2ME06	Center speaker	Black	3	Instrument panel - top center	INSTRUMENT PANEL RHD
C2ME14	Integrated control panel	Black	10	Behind heater control panel	INSTRUMENT PANEL LHD
C2ME14	Integrated control panel	Black	10	Behind heater control panel	INSTRUMENT PANEL RHD
C2MF01	Module-speed control	Beige	30	Behind driver side of Instrument panel	INSTRUMENT PANEL LHD
C2MF01	Module-speed control	Beige	30	Behind driver side of Instrument panel	INSTRUMENT PANEL RHD
C2MT01A	Information and entertainment control module	Green	10	Instrument panel-Center	INSTRUMENT PANEL LHD
C2MT01A	Information and entertainment control module	Green	10	Instrument panel-Center	INSTRUMENT PANEL RHD
C2MT01B	Information and entertainment control module		1	Instrument panel-Center	INSTRUMENT PANEL LHD
C2MT01B	Information and entertainment control module		1	Instrument panel-Center	INSTRUMENT PANEL RHD
C2MT02A	Antenna-VICS		1	LH 'A' post	BODY LH
C2MT02A	Antenna-VICS		1	LH 'A' post	BODY RH

Connector	Description	Color	Cav	Location	Harness
C2PL22	Switch pack-Center Instrument panel	Black	10	Instrument panel-Center	INSTRUMENT PANEL LHD
C2PL22	Switch pack-Center Instrument panel	Black	10	Instrument panel-Center	INSTRUMENT PANEL RHD
C2PP03	Unit-Steering column	Black	10	Underside of steering column	INSTRUMENT PANEL LHD
C2PP03	Unit-Steering column	Black	10	Underside of steering column	INSTRUMENT PANEL RHD
C2PP11	Switch-Steering column adjustment	Black	8	Behind steering column cowl	INSTRUMENT PANEL LHD
C2PP11	Switch-Steering column adjustment	Black	8	Behind steering column cowl	INSTRUMENT PANEL RHD
C2PR07	Latch-Glove compartment	Black	2	Behind glove compartment	INSTRUMENT PANEL LHD
C2PR07	Latch-Glove compartment	Black	2	Behind glove compartment	INSTRUMENT PANEL RHD
C2PR08	Module-Glove compartment control	Black	3	Behind passenger side of Instrument panel	INSTRUMENT PANEL LHD
C2PR08	Module-Glove compartment control	Black	3	Behind passenger side of Instrument panel	INSTRUMENT PANEL RHD
C2R103A	Passenger air bag module		1	Behind passenger air bag module	PASSENGER AIRBAG LINK
C2R103A	Passenger air bag module		2	Behind passenger air bag module	PASSENGER AIRBAG LINK
C2R103B	Passenger air bag module	Black	2	Behind passenger air bag module	PASSENGER AIRBAG LINK
C2R103B	Passenger air bag module		1	Behind passenger air bag module	PASSENGER AIRBAG LINK
C2R115A	Clock spring	Natural	10	Behind steering column cowl	INSTRUMENT PANEL LHD
C2R115A	Clock spring	Natural	10	Behind steering column cowl	INSTRUMENT PANEL RHD
C2R115D	Slip rings-Steering wheel	Light grey	2	Behind steering column cowl	INSTRUMENT PANEL LHD
C2R115D	Slip rings-Steering wheel	Light grey	2	Behind steering column cowl	INSTRUMENT PANEL RHD
C2RP03A	Pedestrian protection module	Grey	24	Base of LH 'A' post	ENGINE COMPARTMENT LH
C2RP03A	Pedestrian protection module	Grey	24	Base of LH 'A' post	ENGINE COMPARTMENT RH
C2RP03B	Pedestrian protection module	Black	40	Base of LH 'A' post	ENGINE COMPARTMENT LH
C2RP03B	Pedestrian protection module	Black	40	Base of LH 'A' post	ENGINE COMPARTMENT RH
C2RT03	Module-steering column locking	Black	4	Behind instrument cluster	INSTRUMENT PANEL LHD
C2RT03	Module-steering column locking	Black	4	Behind instrument cluster	INSTRUMENT PANEL RHD
C2RW08	Switch-Steering column-Wiper	Black	6	Behind steering column cowl	INSTRUMENT PANEL LHD
C2RW08	Switch-Steering column-Wiper	Black	6	Behind steering column cowl	INSTRUMENT PANEL RHD
C30	Sensor-Pressure-Fuel rail - DV6	Black	3	Top rear of engine - center	ENGINE DIESEL V6
C30S13	Pump-Lumbar-Passenger	Black	3	Behind passenger seat backrest	SEAT PASSENGER RHD
C30S13	Pump-Lumbar-Passenger	Black	3	Behind passenger seat backrest	SEAT PASSENGER LHD
C31	Sensor-Manifold Absolute-Pressure (MAP) - DV6	Black	3	Top of engine - RH side	ENGINE DIESEL V6
C33-A	Main harness to link harness	Light grey	3	Beneath LH front seat - adjacent to 'B' post	BODY LH
C33-A	Main harness to link harness	Light grey	3	Beneath LH front seat - adjacent to 'B' post	BODY RH
C33-A	Link harness to main harness	Light grey	3	Beneath LH front seat - adjacent to 'B' post	MOST LINK AUU
C33-A	Link harness to main harness	Light grey	3	Beneath LH front seat - adjacent to 'B' post	MOST LINK BLUETOOTH-AUU
C33-B	Link harness to main harness		2	Beneath LH front seat - adjacent to 'B' post	MOST LINK BLUETOOTH-AUU
C33-B	Main harness to link harness		2	Beneath LH front seat - adjacent to 'B' post	BODY LH
C33-B	Main harness to link harness		2	Beneath LH front seat - adjacent to 'B' post	BODY RH
C33-B	Link harness to main harness		1	Beneath LH front seat - adjacent to 'B' post	SEAT LINK MOST SET
C33-B	Link harness to main harness		1	Beneath LH front seat - adjacent to 'B' post	MOST LINK AUU
C33-B	Link harness to main harness	Black	2	Beneath LH front seat - adjacent to 'B' post	MOST LINK BLUETOOTH

Connector	Description	Color	Cav	Location	Harness
C33-C	Console harness to main harness	Grey	24	Beneath center console LH side	CONSOLE MIDDLE
C33-C	Main harness to console harness	Grey	24	Beneath center console LH side	BODY RH
C33-C	Main harness to console harness	Grey	24	Beneath center console LH side	BODY LH
C33-D	Main harness to seat harness	Dark grey	22	Beneath driver seat	BODY RH
C33-D	Seat harness to main harness	Dark grey	22	Beneath driver seat	SEAT DRIVER RHD
C33-D	Main harness to seat harness	Dark grey	22	Beneath driver seat	BODY LH
C33-D	Seat harness to main harness	Dark grey	22	Beneath driver seat	SEAT DRIVER LHD
C33-E	Main harness to seat harness	Light grey	10	Beneath driver seat	BODY RH
C33-E	Seat harness to main harness	Light grey	10	Beneath driver seat	SEAT DRIVER RHD
C33-E	Main harness to seat harness	Light grey	10	Beneath driver seat	BODY LH
C33-E	Seat harness to main harness	Light grey	10	Beneath driver seat	SEAT DRIVER LHD
C33-F	Main harness to seat harness	Grey	4	Beneath driver seat	BODY RH
C33-F	Seat harness to main harness	Grey	4	Beneath driver seat	SEAT DRIVER RHD
C33-F	Main harness to seat harness	Grey	4	Beneath driver seat	BODY LH
C33-F	Seat harness to main harness	Grey	4	Beneath driver seat	SEAT DRIVER LHD
C33-G	Main harness to seat harness	Dark grey	22	Beneath front passenger seat	BODY RH
C33-G	Seat harness to main harness	Dark grey	22	Beneath front passenger seat	SEAT PASSENGER RHD
C33-G	Main harness to seat harness	Dark grey	22	Beneath front passenger seat	BODY LH
C33-G	Seat harness to main harness	Dark grey	22	Beneath front passenger seat	SEAT PASSENGER LHD
C33-H	Main harness to seat harness	Light grey	10	Beneath front passenger seat	BODY RH
C33-H	Seat harness to main harness	Light grey	10	Beneath front passenger seat	SEAT PASSENGER RHD
C33-H	Main harness to seat harness	Light grey	10	Beneath front passenger seat	BODY LH
C33-H	Seat harness to main harness	Light grey	10	Beneath front passenger seat	SEAT PASSENGER LHD
C33-J	Main harness to seat harness	Grey	4	Beneath front passenger seat	BODY RH
C33-J	Seat harness to main harness	Grey	4	Beneath front passenger seat	SEAT PASSENGER RHD
C33-J	Main harness to seat harness	Grey	4	Beneath front passenger seat	BODY LH
C33-J	Seat harness to main harness	Grey	4	Beneath front passenger seat	SEAT PASSENGER LHD
C33-K	PTC heater harness to main harness		1	Beneath center console RH side	PTC MEGAFUSE TO INLINE
C33-K	PTC heater harness to main harness		1	Beneath center console RH side	PTC CABLE POSITIVE
C33-K	Main harness to PTC heater harness	Natural	1	Beneath center console RH side	BODY RH
C33-K	Main harness to PTC heater harness	Natural	1	Beneath center console RH side	BODY LH
C34	Sensor-Engine coolant-temperature (ECT) - DV6	Grey	2	Top of engine	ENGINE DIESEL V6
C35	Sensor-Temperature-Fuel rail - DV6	Red	2	Top of engine	ENGINE DIESEL V6
C36	Actuator-Inlet port deactivation	Grey	2	Front RH side of engine	ENGINE DIESEL V6
C37-A	Main harness to door harness	Grey	24	In LH 'B' post	BODY RH
C37-A	Rear door harness to main harness	Grey	24	In LH 'B' post	REAR DOOR LHS
C37-A	Main harness to door harness	Grey	24	In LH 'B' post	BODY LH
C38-A	Main harness to door harness	Grey	24	In RH 'B' post	BODY RH
C38-A	Rear door harness to main harness	Grey	24	In RH 'B' post	REAR DOOR RHS
C38-A	Main harness to door harness	Grey	24	In RH 'B' post	BODY LH
C39	Unit-Electric throttle - DV6	Black	6	Top of engine - RH side	ENGINE DIESEL V6

Connector	Description	Color	Cav	Location	Harness
C3A-A	Driver door harness to main harness	Dark grey	22	LH 'A' post	DRIVER DOOR LHD
C3A-A	Main harness to driver door harness	Dark grey	22	LH 'A' post	BODY LH
C3A-A	Driver door harness to main harness	Dark grey	22	RH 'A' post	DRIVER DOOR RHD
C3A-A	Main harness to driver door harness	Dark grey	22	RH 'A' post	BODY RH
C3A-B	Driver door harness to main harness	Light grey	10	LH 'A' post	DRIVER DOOR LHD
C3A-B	Main harness to driver door harness	Light grey	10	LH 'A' post	BODY LH
C3A-B	Driver door harness to main harness	Light grey	10	RH 'A' post	DRIVER DOOR RHD
C3A-B	Main harness to driver door harness	Light grey	10	RH 'A' post	BODY RH
C3B-A	Main harness to passenger door harness	Dark grey	22	LH 'A' post	BODY RH
C3B-A	Passenger door harness to main harness	Dark grey	22	LH 'A' post	PASSENGER DOOR RHD
C3B-A	Main harness to passenger door harness	Dark grey	22	RH 'A' post	BODY LH
C3B-A	Passenger door harness to main harness	Dark grey	22	RH 'A' post	PASSENGER DOOR LHD
C3B-B	Main harness to passenger door harness	Light grey	10	LH 'A' post	BODY RH
C3B-B	Passenger door harness to main harness	Light grey	10	LH 'A' post	PASSENGER DOOR RHD
C3B-B	Main harness to passenger door harness	Light grey	10	RH 'A' post	BODY LH
C3B-B	Passenger door harness to main harness	Light grey	10	RH 'A' post	PASSENGER DOOR LHD
C3BF10A	Megafuse-Electric booster heater		1	Beneath RH Front seat	PTC MEGAFUSE TO INLINE
C3BF10A	Megafuse-Electric booster heater		1	Beneath RH Front seat	BODY RH
C3BF10A	Megafuse-Electric booster heater		1	Beneath RH Front seat	BODY LH
C3BP01A	Junction box-Central		1	RH 'A' post	BODY LH
C3BP01A	Junction box-Central		1	RH 'A' post	BODY RH
C3BP01A	Junction box-Central		1	RH 'A' post	MEGAFUSE FUSE BOX TO PANEL STUD
C3BP01A	Junction box-Central		1	RH 'A' post	MEGAFUSE FUSE BOX TO PANEL STUD + FSJB
C3BP01B	Junction box-Central	Grey	6	RH 'A' post	BODY LH
C3BP01B	Junction box-Central	Grey	6	RH 'A' post	BODY RH
C3BP01C	Junction box-Central	Grey	4	RH 'A' post	BODY LH
C3BP01C	Junction box-Central	Grey	4	RH 'A' post	BODY RH
C3BP01D	Junction box-Central	Green	12	RH 'A' post	BODY LH
C3BP01D	Junction box-Central	Green	12	RH 'A' post	BODY RH
C3BP01E	Junction box-Central	Black	20	RH 'A' post	BODY LH
C3BP01E	Junction box-Central	Black	20	RH 'A' post	BODY RH
C3BP01F	Junction box-Central	Natural	20	RH 'A' post	BODY LH
C3BP01F	Junction box-Central	Natural	20	RH 'A' post	BODY RH
C3BP01G	Junction box-Central	Grey	20	RH 'A' post	ENGINE COMPARTMENT LH
C3BP01G	Junction box-Central	Grey	20	RH 'A' post	ENGINE COMPARTMENT RH
C3BP01H	Junction box-Central	Blue	20	RH 'A' post	ENGINE COMPARTMENT LH
C3BP01H	Junction box-Central	Blue	20	RH 'A' post	ENGINE COMPARTMENT RH
C3BP01J	Junction box-Central	Green	20	RH 'A' post	ENGINE COMPARTMENT LH
C3BP01J	Junction box-Central	Green	20	RH 'A' post	ENGINE COMPARTMENT RH
C3BP01K	Junction box-Central	Brown	20	RH 'A' post	BODY LH

Connector	Description	Color	Cav	Location	Harness
C3BP01K	Junction box-Central	Brown	20	RH 'A' post	BODY RH
C3BP01L	Junction box-Central	Violet	20	RH 'A' post	BODY LH
C3BP01L	Junction box-Central	Violet	20	RH 'A' post	BODY RH
C3BP01M	Junction box-Central		1	RH 'A' post	BODY LH
C3BP01M	Junction box-Central		1	RH 'A' post	BODY RH
C3CD01C	Adaptive Damping Module	Green	30	Beneath RH Front seat	BODY LH
C3CD01C	Adaptive Damping Module	Green	30	Beneath RH Front seat	BODY RH
C3CD01D	Adaptive Damping Module	Grey	2	Beneath RH Front seat	BODY LH
C3CD01D	Adaptive Damping Module	Grey	2	Beneath RH Front seat	BODY RH
C3D174	Ground-SRS		1	Beneath center console	BODY LH
C3D174	Ground-SRS		1	Beneath center console	BODY RH
C3DC07A	Cigar lighter	Natural	3	Beneath center console	CONSOLE MIDDLE
C3DC07B	Connector-Road pricing	Light grey	3	Behind RH side of Instrument panel	BODY LH
C3DC07B	Connector-Road pricing	Light grey	3	Behind RH side of Instrument panel	BODY RH
C3DC08	Socket-Accessory-Front	Orange	2	Beneath center console	BODY LH
C3DC08	Socket-Accessory-Front	Orange	2	Beneath center console	BODY RH
C3DC11A	Stud-through panel		1	Behind footwell trim panel - RH side	MEGAFUSE FUSE BOX TO PANEL STUD
C3DC11A	Stud-through panel		1	Behind footwell trim panel - RH side	BODY LH
C3DC11A	Stud-through panel		1	Driver footwell	MEGAFUSE FUSE BOX TO PANEL STUD + FSJB
C3DC11A	Stud-through panel		1	Driver footwell	BODY RH
C3DC11B	Stud-through panel		1	Behind RH front wheel arch liner	ENGINE COMPARTMENT LH
C3DC11B	Stud-through panel		1	Behind RH front wheel arch liner	ENGINE COMPARTMENT RH
C3DC11B	Stud-through panel		1	Behind RH front wheel arch liner	BATTERY CABLE THROUGH STUD
C3DC11C	Stud-through panel		1	Behind footwell trim panel - RH side	BODY LH
C3DC11C	Stud-through panel		1	Driver footwell	BODY RH
C3DF10A	Megafuse-Electric booster heater		1	Beneath RH Front seat	MEGAFUSE FUSE BOX TO PANEL STUD
C3DF10A	Megafuse-Electric booster heater		1	Beneath RH Front seat	BODY RH
C3DF10A	Megafuse-Electric booster heater		1	Beneath RH Front seat	BODY LH
C3ET37	Module-Transmission shift	Dark grey	22	Beneath center console	CONSOLE MIDDLE
C3HS01A	Heater-Seat backrest-Driver	Black	2	Behind driver seat backrest	SEAT DRIVER RHD
C3HS01A	Heater-Seat backrest-Driver	Black	2	Behind driver seat backrest	SEAT DRIVER LHD
C3HS01B	Assembly-Climate-Seat backrest-Driver	Light grey	8	Behind driver seat backrest	SEAT DRIVER RHD
C3HS01B	Assembly-Climate-Seat backrest-Driver	Light grey	8	Behind driver seat backrest	SEAT DRIVER LHD
C3HS02A	Heater-Seat cushion-Driver	Black	4	Beneath driver seat	SEAT DRIVER RHD
C3HS02A	Heater-Seat cushion-Driver	Black	4	Beneath driver seat	SEAT DRIVER LHD
C3HS02B	Assembly-Climate-Seat cushion-Driver	Light grey	8	Beneath driver seat	SEAT DRIVER RHD
C3HS02B	Assembly-Climate-Seat cushion-Driver	Light grey	8	Beneath driver seat	SEAT DRIVER LHD
C3HS03A	Module-Climate-controlled seat	Black	12	Beneath RH Front seat	BODY LH
C3HS03A	Module-Climate-controlled seat	Black	12	Beneath RH Front seat	BODY RH
C3HS03B	Module-Climate-controlled seat	Black	10	Beneath RH Front seat	BODY LH
C3HS03B	Module-Climate-controlled seat	Black	10	Beneath RH Front seat	BODY RH

Connector	Description	Color	Cav	Location	Harness
C3HS03C	Module-Climate-controlled seat	Black	16	Beneath RH Front seat	BODY LH
C3HS03C	Module-Climate-controlled seat	Black	16	Beneath RH Front seat	BODY RH
C3HS06A	Heater-Seat backrest-Passenger	Black	2	Behind passenger seat backrest	SEAT PASSENGER RHD
C3HS06A	Heater-Seat backrest-Passenger	Black	2	Behind passenger seat backrest	SEAT PASSENGER LHD
C3HS06B	Assembly-Climate-Seat backrest-Passenger	Light grey	8	Behind passenger seat backrest	SEAT PASSENGER RHD
C3HS06B	Assembly-Climate-Seat backrest-Passenger	Light grey	8	Behind passenger seat backrest	SEAT PASSENGER LHD
C3HS07A	Heater-Seat cushion-Passenger	Black	4	Beneath front passenger seat	SEAT PASSENGER RHD
C3HS07A	Heater-Seat cushion-Passenger	Black	4	Beneath front passenger seat	SEAT PASSENGER LHD
C3HS07B	Assembly-Climate-Seat cushion-Passenger	Light grey	8	Beneath front passenger seat	SEAT PASSENGER RHD
C3HS07B	Assembly-Climate-Seat cushion-Passenger	Light grey	8	Beneath front passenger seat	SEAT PASSENGER LHD
C3MC39A	Module-Tire pressure monitoring system	Blue	16	Beneath RH Front seat	BODY LH
C3MC39A	Module-Tire pressure monitoring system	Blue	16	Beneath RH Front seat	BODY RH
C3MC39B	Module-Tire pressure monitoring system	Green	16	Beneath RH Front seat	BODY LH
C3MC39B	Module-Tire pressure monitoring system	Green	16	Beneath RH Front seat	BODY RH
C3MC45	Receiver-Tire-pressure monitoring	Black	3	Beneath center console LH side	BODY LH
C3MC45	Receiver-Tire-pressure monitoring	Black	3	Beneath center console LH side	BODY RH
C3ME17A	Module-Portable audio interface	Black	6	Beneath LH Front seat	MOST LINK AUU
C3ME17A	Module-Portable audio interface	Black	6	Beneath LH Front seat	MOST LINK BLUETOOTH-AUU
C3ME37A	Console-Portable audio interface	Black	4	Beneath center console LH side	BODY LH
C3ME37A	Console-Portable audio interface	Black	4	Beneath center console LH side	BODY RH
C3MM01A	Module-Telephone	Black	32	Beneath LH Front seat	BODY LH
C3MM01A	Module-Telephone	Black	32	Beneath LH Front seat	BODY RH
C3MM01C	Module-Telephone		2	Beneath LH Front seat	MOST LINK BLUETOOTH
C3MM01C	Module-Telephone		2	Beneath LH Front seat	MOST LINK BLUETOOTH-AUU
C3PK05	Center console antenna-Front	Grey	4	Behind front of center console	BODY LH
C3PK05	Center console antenna-Front	Grey	4	Behind front of center console	BODY RH
C3PK06	Center console antenna-Rear	Grey	4	Beneath center console	BODY LH
C3PK06	Center console antenna-Rear	Grey	4	Beneath center console	BODY RH
C3PS02A	Driver seat module	Light grey	26	Beneath driver seat	SEAT DRIVER RHD
C3PS02A	Driver seat module	Light grey	26	Beneath driver seat	SEAT DRIVER LHD
C3PS02B	Driver seat module	Light grey	16	Beneath driver seat	SEAT DRIVER RHD
C3PS02B	Driver seat module	Light grey	16	Beneath driver seat	SEAT DRIVER LHD
C3PS02C	Driver seat module	Light grey	12	Beneath driver seat	SEAT DRIVER RHD
C3PS02C	Driver seat module	Light grey	12	Beneath driver seat	SEAT DRIVER LHD
C3PS02D	Driver seat module	Black	14	Beneath driver seat	SEAT DRIVER RHD
C3PS02D	Driver seat module	Black	14	Beneath driver seat	SEAT DRIVER LHD
C3PS12A	Pump-Lumbar-Driver	Black	3	Behind driver seat backrest	SEAT DRIVER RHD
C3PS12A	Pump-Lumbar-Driver	Black	3	Behind driver seat backrest	SEAT DRIVER LHD
C3PS12B	Pump-Lumbar-Driver	Black	3	Behind driver seat backrest	SEAT DRIVER RHD
C3PS12B	Pump-Lumbar-Driver	Black	3	Behind driver seat backrest	SEAT DRIVER LHD

Connector	Description	Color	Cav	Location	Harness
C3PS19	Solenoid-Lumbar-pump	Black	6	Behind driver seat backrest	SEAT DRIVER RHD
C3PS19	Solenoid-Lumbar-pump	Black	6	Behind driver seat backrest	SEAT DRIVER LHD
C3PS22A	Switch pack-Seat-Driver	Grey	12	Beneath driver seat	SEAT DRIVER RHD
C3PS22A	Switch pack-Seat-Driver	Grey	12	Beneath driver seat	SEAT DRIVER LHD
C3PS22B	Switch pack-Seat-Driver	Light grey	12	Beneath driver seat	SEAT DRIVER RHD
C3PS22B	Switch pack-Seat-Driver	Light grey	12	Beneath driver seat	SEAT DRIVER LHD
C3PS22C	Switch pack-Seat-Driver	Light grey	14	Beneath driver seat	SEAT DRIVER RHD
C3PS22C	Switch pack-Seat-Driver	Light grey	14	Beneath driver seat	SEAT DRIVER LHD
C3PS23A	Motor-seat-forward rearward-driver	Black	4	Beneath driver seat	SEAT DRIVER RHD
C3PS23A	Motor-seat-forward rearward-driver	Black	4	Beneath driver seat	SEAT DRIVER LHD
C3PS23B	Motor-seat-forward rearward-driver	Black	4	Beneath driver seat	SEAT DRIVER RHD
C3PS23B	Motor-seat-forward rearward-driver	Black	4	Beneath driver seat	SEAT DRIVER LHD
C3PS25A	Motor-Seat-Tilt-Driver	Black	4	Beneath driver seat	SEAT DRIVER RHD
C3PS25A	Motor-Seat-Tilt-Driver	Black	4	Beneath driver seat	SEAT DRIVER LHD
C3PS25B	Motor-Seat-Tilt-Driver	Black	4	Beneath driver seat	SEAT DRIVER RHD
C3PS25B	Motor-Seat-Tilt-Driver	Black	4	Beneath driver seat	SEAT DRIVER LHD
C3PS27A	Drivers seat height motor	Black	4	Beneath driver seat	SEAT DRIVER RHD
C3PS27A	Drivers seat height motor	Black	4	Beneath driver seat	SEAT DRIVER LHD
C3PS27B	Drivers seat height motor	Black	4	Beneath driver seat	SEAT DRIVER RHD
C3PS27B	Drivers seat height motor	Black	4	Beneath driver seat	SEAT DRIVER LHD
C3PS30A	Motor-Seat-Backrest recline	Black	5	Behind driver seat backrest	SEAT DRIVER RHD
C3PS30A	Motor-Seat-Backrest recline	Black	5	Behind driver seat backrest	SEAT DRIVER LHD
C3PS30B	Motor-Seat-Backrest recline	Black	5	Behind driver seat backrest	SEAT DRIVER RHD
C3PS30B	Motor-Seat-Recline-Driver	Black	5	Behind driver seat backrest	SEAT DRIVER LHD
C3PS32A	Switch pack-Seat-Passenger	Light grey	12	Beneath front passenger seat	SEAT PASSENGER RHD
C3PS32A	Switch pack-Seat-Passenger	Light grey	12	Beneath front passenger seat	SEAT PASSENGER LHD
C3PS32B	Switch pack-Seat-Passenger	Light grey	14	Beneath front passenger seat	SEAT PASSENGER RHD
C3PS32B	Switch pack-Seat-Passenger	Light grey	14	Beneath front passenger seat	SEAT PASSENGER LHD
C3PS33	Motor-seat-forward rearward-passenger	Black	4	Beneath front passenger seat	SEAT PASSENGER RHD
C3PS33	Motor-seat-forward rearward-passenger	Black	4	Beneath front passenger seat	SEAT PASSENGER LHD
C3PS35	Motor-Seat-Tilt-Passenger	Black	4	Beneath front passenger seat	SEAT PASSENGER RHD
C3PS35	Motor-Seat-Tilt-Passenger	Black	4	Beneath front passenger seat	SEAT PASSENGER LHD
C3PS37	Passenger seat height motor	Black	4	Beneath front passenger seat	SEAT PASSENGER RHD
C3PS37	Motor-Seat-Tilt-Passenger	Black	4	Beneath front passenger seat	SEAT PASSENGER LHD
C3PS40	Motor-Seat-Back recline	Black	5	Behind passenger seat backrest	SEAT PASSENGER RHD
C3PS40	Motor-Seat-Back recline	Black	5	Behind passenger seat backrest	SEAT PASSENGER LHD
C3PS46	Driver seat Cushion Extension Motor	Black	4	Beneath driver seat	SEAT DRIVER RHD
C3PS46	Driver seat Cushion Extension Motor	Black	4	Beneath driver seat	SEAT DRIVER LHD
C3PS59	Motor-Head restraint	Black	4	Behind driver seat backrest	SEAT DRIVER RHD
C3PS59	Motor-Head restraint	Black	4	Behind driver seat backrest	SEAT DRIVER LHD
C3PS69	Motor-Head restraint	Black	4	Behind passenger seat backrest	SEAT PASSENGER RHD

Connector	Description	Color	Cav	Location	Harness
C3PS69	Motor-Head restraint	Black	4	Behind passenger seat backrest	SEAT PASSENGER LHD
C3R105	Air bag-Side-Driver		1	RH side of driver seat	SEAT DRIVER RHD
C3R105	Air bag-Side-Driver		1	Side of driver seat backrest	SEAT DRIVER LHD
C3R106	Air bag-Side-Passenger		1	Side of passenger seat backrest	SEAT PASSENGER RHD
C3R106	Air bag-Side-Passenger		1	Side of passenger seat backrest	SEAT PASSENGER LHD
C3R114A	Restraints Control Module (RCM)	Black	24	Beneath center console	BODY LH
C3R114A	Restraints Control Module (RCM)	Black	24	Beneath center console	BODY RH
C3R114B	Restraints Control Module (RCM)	Black	38	Beneath center console	BODY LH
C3R114B	Restraints Control Module (RCM)	Black	38	Beneath center console	BODY RH
C3R116	Sensor-Seat-occupancy	Light grey	2	Beneath front passenger seat	SEAT PASSENGER RHD
C3R116	Sensor-Seat-occupancy	Light grey	2	Beneath front passenger seat	SEAT PASSENGER LHD
C3R118	Module-Seat-occupancy	Black	18	Beneath front passenger seat	SEAT PASSENGER LHD
C3R120	Pre-tensioner and buckle switch-Driver	Black	4	Beneath driver seat	SEAT DRIVER RHD
C3R120	Pre-tensioner and buckle switch-Driver	Black	4	Beneath driver seat	SEAT DRIVER LHD
C3R122	Pre-tensioner and buckle switch-Passenger	Grey	4	Beneath front passenger seat	SEAT PASSENGER RHD
C3R122	Pre-tensioner and buckle switch-Passenger	Grey	4	Beneath front passenger seat	SEAT PASSENGER LHD
C3R210	Sensor-Safety belt tension	Grey	4	Beneath front passenger seat	SEAT PASSENGER LHD
C3R215	Sensor-Driver-seat track	Light grey	2	Beneath driver seat	SEAT DRIVER RHD
C3R215	Sensor-Driver-seat track	Light grey	2	Beneath driver seat	SEAT DRIVER LHD
C3R217A	Sensor-Side impact-LH side-Front	Black	2	In LH 'B' post	BODY LH
C3R217A	Sensor-Side impact-LH side-Front	Black	2	In LH 'B' post	BODY RH
C3R217B	Sensor-Side impact-LH side-Rear	Black	2	LH 'C' post	BODY LH
C3R217B	Sensor-Side impact-LH side-Rear	Black	2	LH 'C' post	BODY RH
C3R218A	Sensor-Side impact-RH side-Rear	Black	2	RH 'C' post	BODY LH
C3R218A	Sensor-Side impact-RH side-Rear	Black	2	RH 'C' post	BODY RH
C3R218B	Sensor-Side impact-RH side-Front	Black	2	In RH 'B' post	BODY LH
C3R218B	Sensor-Side impact-RH side-Front	Black	2	In RH 'B' post	BODY RH
C3R223	Sensor-Pressure-mat	Grey	3	Beneath front passenger seat	SEAT PASSENGER LHD
C40	Actuator-Vane VGT - DV6	Black	5	RH side of engine	ENGINE DIESEL V6
C41	Actuator-Vane VGT - DV6	Black	5	LH side of engine	ENGINE DIESEL V6
C42	Valve-Pressure-control	Black	2	Top of engine	ENGINE DIESEL V6
C43	Valve-Pressure-control	Black	2	Top of engine	ENGINE DIESEL V6
C43-A	Main harness to link harness	Grey	6	LH 'C' post	BODY RH
C43-A	Link harness to main harness	Grey	6	LH 'C' post	ICE HIGH SPEC
C43-A	Main harness to link harness	Grey	6	LH 'C' post	BODY LH
C44	Fuel injector-No.0 - DV6	Black	2	Top of engine - RH side	ENGINE DIESEL V6
C44-A	Trunk lid link harness to main harness	Black	16	Parcel shelf - under right hand side	BOOTLID LINK
C44-A	Main harness to trunk lid link harness	Black	16	Parcel shelf - under right hand side	BODY LH
C44-A	Main harness to trunk lid link harness	Black	16	Parcel shelf - under right hand side	BODY RH
C44-AA	Trunk stack		2	Luggage compartment - LH side	MOST LINK STACK 1

Connector	Description	Color	Cav	Location	Harness
C44-AB	Trunk stack		2	Luggage compartment - LH side	MOST LINK STACK 2
C44-AC	Trunk stack		2	Luggage compartment - LH side	MOST LINK STACK 2
C44-AD	Trunk stack		2	Luggage compartment - LH side	MOST LINK STACK 3
C44-AE	Trunk stack		2	Luggage compartment - LH side	MOST LINK STACK 3
C44-AF	Trunk stack		2	Luggage compartment - LH side	MOST LINK STACK 3
C44-AG	Receiver-Television		2	Luggage compartment - LH side	MOST LINK STACK 4
C44-AH	Trunk stack		2	Luggage compartment - LH side	MOST LINK STACK 4
C44-AJ	Navigation system module		2	Luggage compartment - LH side	MOST LINK STACK 4
C44-AK	Amplifier-power		2	Luggage compartment - LH side	MOST LINK STACK 4
C44-B	Main harness to trunk lid link harness		1	Parcel shelf - under right hand side	BODY LH
C44-B	Main harness to trunk lid link harness		1	Parcel shelf - under right hand side	BODY RH
C44-B	Trunk lid link harness to main harness		2	Parcel shelf - under right hand side	BOOTLID LINK
C44-C	Trunk lid harness to trunk lid link harness	Black	16	RH side of boot lid	BOOTLID MAIN
C44-C	Trunk lid link harness to trunk lid harness	Black	16	RH side of boot lid	BOOTLID LINK
C44-D	Trunk lid link harness to trunk lid harness		1	RH side of boot lid	BOOTLID LINK
C44-D	Trunk lid harness to trunk lid link harness		1	RH side of boot lid	BOOTLID MAIN
C44-E	Fuel tank harness to main harness	Dark grey	8	LH side of fuel tank	FUEL TANK DIESEL
C44-E	Main harness to fuel tank harness	Dark grey	8	LH side of fuel tank	BODY LH
C44-E	Main harness to fuel tank harness	Dark grey	8	LH side of fuel tank	BODY RH
C44-E	Fuel tank harness to main harness	Dark grey	8	Beneath rear of vehicle RH side	FUEL TANK PETROL (LEV)
C44-E	Fuel tank harness to main harness	Dark grey	8	Beneath rear of vehicle RH side	FUEL TANK PETROL (NON LEV)
C44-F	Rear bumper harness to main harness	Black	8	Behind LH side of rear bumper	BUMPER REAR
C44-F	Main harness to rear bumper harness	Black	8	Behind LH side of rear bumper	BODY LH
C44-F	Main harness to rear bumper harness	Black	8	Behind LH side of rear bumper	BODY RH
C44-G	Main harness to main harness	Green	16	Behind luggage compartment carpet LH side	BODY LH
C44-G	Main harness to main harness	Green	16	Behind luggage compartment carpet LH side	BODY RH
C44-H	Main harness to audio system harness		2	Luggage compartment - LH side	BODY RH
C44-H	Audio system harness to main harness		1	Luggage compartment - LH side	REAR LINK MOST SET
C44-H	Main harness to audio system harness		1	Luggage compartment - LH side	BODY LH
C44-H	Audio system harness to main harness	Black	2	Luggage compartment - LH side	MOST LINK STACK 1
C44-H	Audio system harness to main harness	Black	2	Luggage compartment - LH side	MOST LINK STACK 3
C44-H	Audio system harness to main harness	Black	2	Luggage compartment - LH side	MOST LINK STACK 4
C44-H	Audio system harness to main harness	Black	2	Luggage compartment - LH side	MOST LINK STACK 2
C44-J	Fuel tank harness to main harness	Black	2	LH side of fuel tank	FUEL TANK DIESEL
C44-J	Main harness to fuel tank harness	Black	2	LH side of fuel tank	BODY LH
C44-J	Main harness to fuel tank harness	Black	2	LH side of fuel tank	BODY RH
C44-K	Main harness to link harness	Dark grey	4	Beneath rear of vehicle LH side	BODY LH
C44-K	Main harness to link harness	Dark grey	4	Beneath rear of vehicle LH side	BODY RH
C44-K	Link harness to main harness	Dark grey	4	Beneath rear of vehicle LH side	LINK LH ABS/TPMS
C44-L	Main harness to link harness	Dark grey	6	Beneath rear of vehicle RH side	BODY LH
C44-L	Main harness to link harness	Dark grey	6	Beneath rear of vehicle RH side	BODY RH

Connector	Description	Color	Cav	Location	Harness
C44-L	Link harness to main harness	Dark grey	6	Beneath rear of vehicle RH side	LINK RH ABS/TPMS
C44-S	Main harness to main harness	Light grey	4	Behind luggage compartment carpet RH side	BODY LH
C44-S	Main harness to main harness	Light grey	4	Behind luggage compartment carpet RH side	BODY RH
C44-T	Main harness to main harness	Light grey	4	Behind luggage compartment carpet RH side	BODY LH
C44-T	Main harness to main harness	Light grey	4	Behind luggage compartment carpet RH side	BODY RH
C45	Fuel injector-No.1 - DV6	Black	2	Top of engine - LH side	ENGINE DIESEL V6
C46	Fuel injector-No.2 - DV6	Black	2	Top of engine - RH side	ENGINE DIESEL V6
C47	Fuel injector-No.3 - DV6	Black	2	Top of engine - LH side	ENGINE DIESEL V6
C48	Fuel injector-No.4 - DV6	Black	2	Top of engine - RH side	ENGINE DIESEL V6
C49	Fuel injector-No.5 - DV6	Black	2	Top of engine - LH side	ENGINE DIESEL V6
C49-A	Roof harness to main harness	Green	16	Beneath parcel shelf trim-RH side	ROOF
C49-A	Main harness to roof harness	Green	16	Beneath parcel shelf trim-RH side	BODY LH
C49-A	Main harness to roof harness	Green	16	Beneath parcel shelf trim-RH side	BODY RH
C4BF10A	Junction box-Battery		1	Luggage compartment - RH side	BODY RH
C4BF10A	Junction box-Battery		1	Luggage compartment - RH side	BODY LH
C4BF10B	Junction box-Battery		1	Luggage compartment - RH side	MEGAFUSE FUSE BOX TO DASH PETROL
C4BF10B	Junction box-Battery		1	Luggage compartment - RH side	MEGAFUSE FUSE BOX TO DASH DIESEL
C4BF10B	Junction box-Battery		1	Luggage compartment - RH side	BODY RH
C4BF10C	Junction box-Battery		1	Luggage compartment - RH side	MEGAFUSE FUSE BOX TO RSJB
C4BF10C	Junction box-Battery		1	Luggage compartment - RH side	BODY LH
C4BF10C	Junction box-Battery		1	Luggage compartment - RH side	BODY LH
C4BF10C	Junction box-Battery		1	Luggage compartment - RH side	BODY RH
C4BF10D	Junction box-Battery		1	Luggage compartment - RH side	MEGAFUSE FUSE BOX TO PANEL STUD
C4BF10D	Junction box-Battery		1	Luggage compartment - RH side	MEGAFUSE FUSE BOX TO PANEL STUD + FSJB
C4BP01A	Junction box-Rear		1	Luggage compartment - RH side	BODY LH
C4BP01A	Junction box-Rear		1	Luggage compartment - RH side	BODY RH
C4BP01A	Junction box-Rear		1	Luggage compartment - RH side	MEGAFUSE FUSE BOX TO RSJB
C4BP01B	Junction box-Rear	Grey	6	Luggage compartment - RH side	BODY LH
C4BP01B	Junction box-Rear	Grey	6	Luggage compartment - RH side	BODY RH
C4BP01C	Junction box-Rear	Grey	4	Luggage compartment - RH side	BODY LH
C4BP01C	Junction box-Rear	Grey	4	Luggage compartment - RH side	BODY RH
C4BP01D	Junction box-Rear	Green	12	Luggage compartment - RH side	BODY LH
C4BP01D	Junction box-Rear	Green	12	Luggage compartment - RH side	BODY RH
C4BP01F	Junction box-Rear	Natural	20	Luggage compartment - RH side	BODY LH
C4BP01F	Junction box-Rear	Natural	20	Luggage compartment - RH side	BODY RH
C4BP01G	Junction box-Rear	Grey	20	Luggage compartment - RH side	BODY LH
C4BP01G	Junction box-Rear	Grey	20	Luggage compartment - RH side	BODY RH
C4BP01H	Junction box-Rear	Blue	20	Luggage compartment - RH side	BODY LH
C4BP01H	Junction box-Rear	Blue	20	Luggage compartment - RH side	BODY RH
C4BP01K	Junction box-Rear	Brown	20	Luggage compartment - RH side	BODY LH

Connector	Description	Color	Cav	Location	Harness
C4BP01K	Junction box-Rear	Brown	20	Luggage compartment - RH side	BODY RH
C4BP01L	Junction box-Rear	Violet	20	Luggage compartment - RH side	BODY LH
C4BP01L	Junction box-Rear	Violet	20	Luggage compartment - RH side	BODY RH
C4CA04	Wheel speed Sensor-Rear-LH	Black	2	Below LH rear wheelarch	LINK LH ABS/TPMS
C4CA06	Wheel speed Sensor-Rear-RH	Black	2	Below RH rear wheelarch	LINK RH ABS/TPMS
C4CA09	Sensor-Yaw Rate	Black	4	Beneath parcel shelf trim-LH side	BODY LH
C4CA09	Sensor-Yaw Rate	Black	4	Beneath parcel shelf trim-LH side	BODY RH
C4CB01A	Module-Parking brake	Light grey	14	Behind luggage compartment carpet RH side	BODY LH
C4CB01A	Module-Parking brake	Light grey	14	Behind luggage compartment carpet RH side	BODY RH
C4CB01B	Module-Parking brake	Grey	24	Behind luggage compartment carpet RH side	BODY LH
C4CB01B	Module-Parking brake	Grey	24	Behind luggage compartment carpet RH side	BODY RH
C4CB18	Parking Brake Actuator	Dark grey	6	Beneath rear of vehicle RH side	BODY LH
C4CB18	Parking Brake Actuator	Dark grey	6	Beneath rear of vehicle RH side	BODY RH
C4CD05B	Solenoid-Damper-Rear-LH	Black	2	Luggage compartment - LH side	BODY LH
C4CD05B	Solenoid-Damper-Rear-LH	Black	2	Luggage compartment - LH side	BODY RH
C4CD06B	Solenoid-Damper Rear-RH	Black	2	Behind luggage compartment carpet RH side	BODY LH
C4CD06B	Solenoid-Damper Rear-RH	Black	2	Behind luggage compartment carpet RH side	BODY RH
C4CD09B	Accelerometer-Rear	Dark grey	3	Luggage compartment - LH side	BODY LH
C4CD09B	Accelerometer-Rear	Dark grey	3	Luggage compartment - LH side	BODY RH
C4D101	Battery		1	Behind luggage compartment carpet RH side	BATTERY NEGATIVE
C4DC02A	Battery		1	Behind luggage compartment carpet RH side	MEGAFUSE B+ PETROL
C4DC02A	Battery		1	Behind luggage compartment carpet RH side	BODY RH
C4DC02A	Battery		1	Behind luggage compartment carpet RH side	BODY LH
C4DC02B	Battery		1	Behind luggage compartment carpet RH side	MEGAFUSE B+ DIESEL
C4DC02B	Battery		1	Behind luggage compartment carpet RH side	BODY RH
C4DC02B	Battery		1	Behind luggage compartment carpet RH side	BODY LH
C4DC05A	Battery	Black	2	Behind luggage compartment carpet RH side	BODY LH
C4DC05A	Battery	Black	2	Behind luggage compartment carpet RH side	BODY RH
C4DC05B	Battery		1	Behind luggage compartment carpet RH side	BODY LH
C4DC10	Main harness to trailer connector	Light grey	3	Behind luggage compartment carpet RH side	BODY LH
C4DC10	Main harness to trailer connector	Light grey	3	Behind luggage compartment carpet RH side	BODY RH
C4DC27	Relay-Transit	White	2	Behind luggage compartment carpet RH side	BODY LH
C4DC27	Relay-Transit	White	2	Behind luggage compartment carpet RH side	BODY RH
C4DF10A	Junction box-Battery		1	Luggage compartment - RH side	MEGAFUSE B+ PETROL
C4DF10A	Junction box-Battery		1	Luggage compartment - RH side	BODY RH
C4DF10A	Junction box-Battery		1	Luggage compartment - RH side	BODY LH
C4DF10B	Junction box-Battery		1	Luggage compartment - RH side	MEGAFUSE B+ DIESEL
C4DF10B	Junction box-Battery		1	Luggage compartment - RH side	BODY RH
C4DF10B	Junction box-Battery		1	Luggage compartment - RH side	BODY LH
C4E730	Unit-Leak detection	Black	4	Beneath rear of vehicle LH side	BODY LH
C4E730	Unit-Leak detection	Black	4	Beneath rear of vehicle LH side	BODY RH

Connector	Description	Color	Cav	Location	Harness
C4ES15	Module-Fuel-pump driver	Dark grey	6	Beneath rear of vehicle RH side	FUEL TANK PETROL (LEV)
C4ES15	Module-Fuel-pump driver	Dark grey	6	Beneath rear of vehicle RH side	FUEL TANK PETROL (NON LEV)
C4LF16	Sensor-Height-Rear-RH	Black	6	Below RH rear wheelarch	BODY LH
C4LF16	Sensor-Height-Rear-RH	Black	6	Below RH rear wheelarch	BODY RH
C4LN13	Lamp-Trunk	Red	2	Parcel shelf - under center	BODY LH
C4LN13	Lamp-Trunk	Red	2	Parcel shelf - under center	BODY RH
C4LS35	Tail lamp unit-LH	Black	6	Behind luggage compartment carpet LH side	BODY LH
C4LS35	Tail lamp unit-LH	Black	6	Behind luggage compartment carpet LH side	BODY RH
C4LS36	Tail lamp unit-RH	Black	6	Behind luggage compartment carpet RH side	BODY LH
C4LS36	Tail lamp unit-RH	Black	6	Behind luggage compartment carpet RH side	BODY RH
C4LS38	Lamp-number plate and switch-Luggage compartment lid release	Black	4	LH side of boot lid	BOOTLID MAIN
C4LS45A	Lamp-Fog-Rear-LH	Black	2	LH side of boot lid	BOOTLID MAIN
C4LS45B	Lamp-Fog-Rear-RH	Black	2	RH side of boot lid	BOOTLID MAIN
C4LS50	Lamp-High mounted stop	White	3	RH 'C' post	BODY LH
C4LS50	Lamp-High mounted stop	White	3	RH 'C' post	BODY RH
C4MC11A	Fuel Tank-Petrol	Black	6	Beneath rear seat - RH Side	FUEL TANK PETROL (LEV)
C4MC11A	Fuel Tank-Petrol	Black	6	Beneath rear seat - RH Side	FUEL TANK PETROL (NON LEV)
C4MC11B	Unit-Fuel Tank - D6	Black	6	Beneath rear seat - RH Side	FUEL TANK DIESEL
C4MC23	Sensor-Fuel level	Black	2	Beneath rear seat - LH Side	FUEL TANK DIESEL
C4MC42	Initiator-Rear-LH	Grey	2	Behind LH rear wheel arch liner	LINK LH ABS/TPMS
C4MC43	Initiator-Rear-RH	Grey	2	Behind RH rear wheel arch liner	LINK RH ABS/TPMS
C4ME01	Speaker-Subwoofer	Black	4	Behind luggage compartment carpet RH side	BODY LH
C4ME01	Speaker-Subwoofer	Black	4	Behind luggage compartment carpet RH side	BODY RH
C4ME09	LH rear surround sound speaker	Black	3	Parcel shelf - under left hand side	ICE HIGH SPEC
C4ME12	RH rear surround sound speaker	Black	3	Parcel shelf - under right hand side	ICE HIGH SPEC
C4ME22A	Amplifier-power	Grey	2	Luggage compartment - LH side	BODY LH
C4ME22A	Amplifier-power	Grey	2	Luggage compartment - LH side	BODY RH
C4ME22B	Amplifier-power	Green	16	Luggage compartment - LH side	BODY LH
C4ME22B	Amplifier-power	Green	16	Luggage compartment - LH side	BODY RH
C4ME22D	Amplifier-power	Light grey	10	Luggage compartment - LH side	BODY LH
C4ME22D	Amplifier-power	Light grey	10	Luggage compartment - LH side	BODY RH
C4ME24	Module-Tuner-DAB		1	Luggage compartment - LH side	BODY LH
C4ME24	Module-Tuner-DAB		1	Luggage compartment - LH side	BODY RH
C4ME33A	Receiver-Television	Grey	20	Luggage compartment - LH side	BODY LH
C4ME33A	Receiver-Television	Grey	20	Luggage compartment - LH side	BODY RH
C4ME33B	Receiver-Television		1	Luggage compartment - LH side	BODY LH
C4ME33B	Receiver-Television		1	Luggage compartment - LH side	BODY RH
C4ME33C	Receiver-Television		1	Luggage compartment - LH side	BODY LH
C4ME33C	Receiver-Television		1	Luggage compartment - LH side	BODY RH
C4ME41A	Module-SDARS	Black	2	Luggage compartment - LH side	BODY LH

Connector	Description	Color	Cav	Location	Harness
C4ME41A	Module-SDARS	Black	2	Luggage compartment - LH side	BODY RH
C4ME41B	Module-SDARS		1	Luggage compartment - LH side	BODY LH
C4ME41B	Module-SDARS		1	Luggage compartment - LH side	BODY RH
C4MN23A	Navigation system module	Grey	12	Luggage compartment - LH side	BODY LH
C4MN23A	Navigation system module	Grey	12	Luggage compartment - LH side	BODY RH
C4MN23B	Navigation system module		1	Luggage compartment - LH side	BODY LH
C4MN23B	Navigation system module		1	Luggage compartment - LH side	BODY RH
C4MN23C	Navigation system module		1	Luggage compartment - LH side	BODY LH
C4MN23C	Navigation system module		1	Luggage compartment - LH side	BODY RH
C4MN23E	Navigation system module		1	Luggage compartment - LH side	BODY LH
C4MN23E	Navigation system module		1	Luggage compartment - LH side	BODY RH
C4MN23F	Navigation system module		1	Luggage compartment - LH side	BODY LH
C4MN23F	Navigation system module		1	Luggage compartment - LH side	BODY RH
C4MP01A	Parking aid module	White	16	Luggage compartment - LH side	BODY LH
C4MP01A	Parking aid module	White	16	Luggage compartment - LH side	BODY RH
C4MP01B	Parking aid module	White	12	Luggage compartment - LH side	BODY LH
C4MP01B	Parking aid module	White	12	Luggage compartment - LH side	BODY RH
C4MP01C	Parking aid module	White	12	Luggage compartment - LH side	BODY LH
C4MP01C	Parking aid module	White	12	Luggage compartment - LH side	BODY RH
C4MP14	Parking aid sensor-Inner-Rear-LH	Black	3	Behind LH side of rear bumper	BUMPER REAR
C4MP15	Parking aid sensor-Outer-Rear-LH	Black	3	Behind LH side of rear bumper	BUMPER REAR
C4MP16	Parking aid sensor-Inner-Rear-RH	Black	3	Behind RH side of rear bumper	BUMPER REAR
C4MP17	Parking aid sensor-Outer-Rear-RH	Black	3	Behind RH side of rear bumper	BUMPER REAR
C4MP19A	Camera-Rear view	Black	4	LH side of boot lid	BOOTLID MAIN
C4MP19B	Camera-Rear view		1	LH side of boot lid	BOOTLID MAIN
C4PK07	Antenna-LF-Rear-External	Grey	4	Behind Center of rear bumper	BODY LH
C4PK07	Antenna-LF-Rear-External	Grey	4	Behind Center of rear bumper	BODY RH
C4PK08	Antenna-LF-Rear-Internal	Grey	4	Parcel shelf - under center	BODY LH
C4PK08	Antenna-LF-Rear-Internal	Grey	4	Parcel shelf - under center	BODY RH
C4PK28A	Keyless vehicle module	Grey	23	Luggage compartment - LH side	BODY LH
C4PK28A	Keyless vehicle module	Grey	23	Luggage compartment - LH side	BODY RH
C4PK28B	Keyless vehicle module	Green	23	Luggage compartment - LH side	BODY LH
C4PK28B	Keyless vehicle module	Green	23	Luggage compartment - LH side	BODY RH
C4PK28C	Keyless vehicle module	Blue	23	Luggage compartment - LH side	BODY LH
C4PK28C	Keyless vehicle module	Blue	23	Luggage compartment - LH side	BODY RH
C4PK28D	Keyless vehicle module	Natural	23	Luggage compartment - LH side	BODY LH
C4PK28D	Keyless vehicle module	Natural	23	Luggage compartment - LH side	BODY RH
C4PK28E	Keyless vehicle module	Brown	23	Luggage compartment - LH side	BODY LH
C4PK28E	Keyless vehicle module	Brown	23	Luggage compartment - LH side	BODY RH
C4PL17	Liftgate Latch/Luggage Compartment Lid Latch	Natural	6	Boot lid - inside	BOOTLID MAIN
C4PL18	Motor-Release-Fuel flap	Black	3	Behind RH rear wheel arch liner	BODY LH

Connector	Description	Color	Cav	Location	Harness
C4PL18	Motor-Release-Fuel flap	Black	3	Behind RH rear wheel arch liner	BODY RH
C4RB02A	Module-Blind spot monitoring-RH	Black	6	Behind RH side of rear bumper	BODY LH
C4RB02A	Module-Blind spot monitoring-RH	Black	6	Behind RH side of rear bumper	BODY RH
C4RB02B	Module-Blind spot monitoring-LH	Black	6	Behind LH side of rear bumper	BODY LH
C4RB02B	Module-Blind spot monitoring-LH	Black	6	Behind LH side of rear bumper	BODY RH
C60	Starter motor - DV6		1	RH side of engine	ENGINE DIESEL V6
C64	Engine harness to engine compartment harness	Black	26	Passenger side of engine compartment	ENGINE DIESEL V6
C65	Engine harness to transmission harness	Black	16	Rear of engine compartment - center	ENGINE DIESEL V6
C67	Clutch-Compressor-Air conditioning (A/C) - DV6	Black	2	Front LH side of engine	ENGINE DIESEL V6
C69	Sensor-Temperature-Air charge - DV6	Black	2	Top front of engine - RH side	ENGINE DIESEL V6
C70	Valve-EGR	Grey	6	RH side of engine	ENGINE DIESEL V6
C71	Valve-EGR	Grey	6	LH side of engine	ENGINE DIESEL V6
C73	Generator - DV6	Black	2	RH side of engine	ENGINE DIESEL V6
C76	Engine harness to transmission harness	Black	12	Rear of engine compartment - center	ENGINE DIESEL V6
C77	Sensor-Crankshaft-position (CKP) - DV6	Black	3	LH side of engine	ENGINE DIESEL V6
C7ME12	Speaker-Low range-Rear door-LH	Natural	4	Behind LH rear door trim panel	REAR DOOR LHS
C7ME40	Tweeter-Rear-LH	Black	3	Behind LH rear door trim panel	REAR DOOR LHS
C7PK12	LH rear door latch module	Black	4	Behind LH rear door trim panel	REAR DOOR LHS
C7PK25	LH rear door handle module	Black	6	Behind LH rear door trim panel	REAR DOOR LHS
C7PL01	Module-Rear door-LH	Black	22	Behind LH rear door trim panel	REAR DOOR LHS
C7PL72	LH rear door latch module	Black	10	Behind LH rear door trim panel	REAR DOOR LHS
C7PW23	Switch-Window-Rear-LH	Light blue	5	Behind LH rear door trim panel	REAR DOOR LHS
C7PW24	Motor-Window-Rear-LH	Dark grey	6	Behind LH rear door trim panel	REAR DOOR LHS
C87	Sensor-Knock-Bank 1	Grey	2	Top of engine - RH side	ENGINE DIESEL V6
C88	Sensor-Knock-Bank 2	Grey	2	Top of engine - LH side	ENGINE DIESEL V6
C8LN46	LED-Door handle-Front-RH	Light grey	2	Behind passenger door trim panel	PASSENGER DOOR LHD
C8LN46	LED-Door handle-Front-LH	Light grey	2	Behind passenger door trim panel	PASSENGER DOOR RHD
C8ME10	Speaker-Low range-Front door-RH	Natural	4	Behind passenger door trim panel	PASSENGER DOOR LHD
C8ME10	Speaker-Low range-Front door-LH	Natural	4	Behind passenger door trim panel	PASSENGER DOOR RHD
C8ME11	Front Tweeter-Passenger	Black	3	Behind passenger door cheater panel	PASSENGER DOOR LHD
C8ME11	Front Tweeter-Passenger	Black	3	Behind passenger door cheater panel	PASSENGER DOOR RHD
C8ME12	Speaker-Low range-Rear door-RH	Natural	4	Behind RH rear door trim panel	REAR DOOR RHS
C8ME25	Speaker-Mid range-Front door-RH	Black	3	Behind passenger door trim panel	PASSENGER DOOR LHD
C8ME25	Speaker-Mid range-Front door-LH	Black	3	Behind passenger door trim panel	PASSENGER DOOR RHD
C8ME40	Tweeter-Rear-RH	Black	3	Behind RH rear door trim panel	REAR DOOR RHS
C8PK11	RH rear door latch module	Black	4	Behind RH rear door trim panel	REAR DOOR RHS
C8PK26	RH rear door handle module	Black	6	Behind RH rear door trim panel	REAR DOOR RHS
C8PL01	Module-Rear door-RH	Black	22	Behind RH rear door trim panel	REAR DOOR RHS
C8PL72	RH rear door latch module	Black	10	Behind RH rear door trim panel	REAR DOOR RHS
C8PW23	Switch-Window-Rear-RH	Light blue	5	Behind RH rear door trim panel	REAR DOOR RHS

Connector	Description	Color	Cav	Location	Harness
C8PW24	Motor-Window-Rear-RH	Dark grey	6	Behind RH rear door trim panel	REAR DOOR RHS
C9LN23	Mirror-Vanity-LH	Black	2	Headlining - Front LH side	ROOF
C9LN24	Mirror-Vanity-RH	Black	2	Headlining - Front RH side	ROOF
C9LN27	Lamp-Interior-Rear	Green	3	Rear of headlining	ROOF
C9LN28	Overhead console	Grey	20	Behind interior light	BODY LH
C9LN28	Overhead console	Grey	20	Behind interior light	BODY RH
C9ME31A	Antenna-Triple TV		1	Behind 'C' post upper trim panel-RH side	BODY LH
C9ME31A	Antenna-Triple TV		1	Behind 'C' post upper trim panel-RH side	BODY RH
C9ME31B	Antenna-Triple TV		1	Behind 'C' post upper trim panel-RH side	BODY LH
C9ME31B	Antenna-Triple TV		1	Behind 'C' post upper trim panel-RH side	BODY RH
C9ME32	Antenna-TV		1	Behind 'C' post upper trim panel-LH side	BODY LH
C9ME32	Antenna-TV		1	Behind 'C' post upper trim panel-LH side	BODY RH
C9ME35A	AM/FM diversity antenna amplifier		1	Behind 'C' post upper trim panel-LH side	BODY LH
C9ME35A	AM/FM diversity antenna amplifier		1	Behind 'C' post upper trim panel-LH side	BODY RH
C9ME35B	AM/FM diversity antenna amplifier	Black	1	Behind 'C' post upper trim panel-LH side	BODY LH
C9ME35B	AM/FM diversity antenna amplifier	Black	1	Behind 'C' post upper trim panel-LH side	BODY RH
C9ME35C	Antenna-DAB		1	Behind 'C' post upper trim panel-LH side	BODY LH
C9ME35C	Antenna-DAB		1	Behind 'C' post upper trim panel-LH side	BODY RH
C9ME35D	AM/FM diversity antenna amplifier		1	Behind 'C' post upper trim panel-LH side	BODY LH
C9ME35D	AM/FM diversity antenna amplifier		1	Behind 'C' post upper trim panel-LH side	BODY RH
C9MN03A	SDARS antenna		1	Rear of headlining	BODY LH
C9MN03A	SDARS antenna		1	Rear of headlining	BODY RH
C9MN03B	SDARS antenna		1	Rear of headlining	BODY LH
C9MN03B	SDARS antenna		1	Rear of headlining	BODY RH
C9MN03C	Antenna-DAB		1	Rear of headlining	BODY LH
C9MN03C	Antenna-DAB		1	Rear of headlining	BODY RH
C9PM05	Mirror-interior	Grey	8	Top of windscreen	ROOF
C9PR32	Roof opening panel control module	Light grey	10	Behind interior light	BODY LH
C9PR32	Roof opening panel control module	Light grey	10	Behind interior light	BODY RH
C9PR88	Motor-Sun blind	Light grey	4	RH 'C' post	BODY LH
C9PR88	Motor-Sun blind	Light grey	4	RH 'C' post	BODY RH
C9R109	Air bag-Side curtain-LH		1	Top of LH 'B' post, behind headlining	BODY LH
C9R109	Air bag-Side curtain-LH		1	Top of LH 'B' post, behind headlining	BODY RH
C9R111	Air bag-Side curtain-RH		1	Behind headlining top of RH 'B' post	BODY LH
C9R111	Air bag-Side curtain-RH		1	Behind headlining top of RH 'B' post	BODY RH
C9RD03A	Windshield LH heater element	Black	1	LH 'A' post	BODY LH
C9RD03A	Windshield LH heater element	Black	1	LH 'A' post	BODY RH
C9RD03B	Windshield LH heater element	Black	1	LH 'A' post	BODY LH
C9RD03B	Windshield LH heater element	Black	1	LH 'A' post	BODY RH
C9RD04A	Windshield RH heater element	Black	1	RH 'A' post	BODY LH
C9RD04A	Windshield RH heater element	Black	1	RH 'A' post	BODY RH

Connector	Description	Color	Cav	Location	Harness
C9RD04B	Windshield RH heater element	Black	1	RH 'A' post	BODY LH
C9RD04B	Windshield RH heater element	Black	1	RH 'A' post	BODY RH
C9RD09B	Heated rear window (HRW)	Black	1	Behind 'C' post upper trim panel-RH side	ANTENNA LINK
C9RD0A	RF filter	Black	1	Behind 'C' post upper trim panel-LH side	BODY LH
C9RD0A	RF filter	Black	1	Behind 'C' post upper trim panel-LH side	BODY RH
C9RT03	Receiver-Radio-frequency (RF)	Black	3	Rear of headlining	ROOF
C9RW06	Sensor-Rain	Black	3	Top of windscreen	ROOF
CALN45	LED-Door handle-Front-LH	Light grey	2	Behind LH front door trim panel	DRIVER DOOR LHD
CALN45	LED-Door handle-Front-LH	Light grey	2	Behind driver door trim panel	DRIVER DOOR RHD
CAME07	Speaker-Low range-Front door-LH	Natural	4	Behind LH front door trim panel	DRIVER DOOR LHD
CAME07	Speaker-Low range-Front door-RH	Natural	4	Behind driver door trim panel	DRIVER DOOR RHD
CAME08	Front Tweeter-LH	Black	3	Behind driver door cheater panel	DRIVER DOOR LHD
CAME08	Front Tweeter-Driver	Black	3	Behind driver door cheater panel	DRIVER DOOR RHD
CAME26	Speaker-Mid range-Front door-LH	Black	3	Behind LH front door trim panel	DRIVER DOOR LHD
CAME26	Speaker-Mid range-Front door-RH	Black	3	Behind driver door trim panel	DRIVER DOOR RHD
CAPK09	Module-Door latch-Driver	Black	4	Behind driver door trim panel	DRIVER DOOR LHD
CAPK09	Module-Door latch-Driver	Black	4	Behind driver door trim panel	DRIVER DOOR RHD
CAPK23	Handle-Driver door	Black	6	Behind driver door trim panel	DRIVER DOOR LHD
CAPK23	Handle-Driver door	Black	6	Behind driver door trim panel	DRIVER DOOR RHD
CAPL63	Motor-Central door-locking-Driver	Black	10	Behind driver door trim panel	DRIVER DOOR LHD
CAPL63	Motor-Central door-locking-Driver	Black	10	Behind driver door trim panel	DRIVER DOOR RHD
CAPM26	Mirror-Door-Driver side	Dark grey	22	Behind driver door trim panel	DRIVER DOOR LHD
CAPM26	Mirror-Door-Driver side	Dark grey	22	Behind driver door trim panel	DRIVER DOOR RHD
CAPS15	Switch-Seat memory-Driver	Black	8	Behind driver door trim panel	DRIVER DOOR LHD
CAPS15	Switch-Seat memory-Driver	Black	8	Behind driver door trim panel	DRIVER DOOR RHD
CAPW02A	Module-Driver-door	Black	22	Behind driver door trim panel	DRIVER DOOR LHD
CAPW02A	Module-Driver-door	Black	22	Behind driver door trim panel	DRIVER DOOR RHD
CAPW02B	Module-Driver-door	Black	24	Behind driver door trim panel	DRIVER DOOR LHD
CAPW02B	Module-Driver-door	Black	24	Behind driver door trim panel	DRIVER DOOR RHD
CAPW10	Switch-Window-Driver door	Light blue	5	Behind driver door trim panel	DRIVER DOOR LHD
CAPW10	Switch-Window-Driver door	Light blue	5	Behind driver door trim panel	DRIVER DOOR RHD
CAPW11	Motor-Window-Driver	Dark grey	6	Behind driver door trim panel	DRIVER DOOR LHD
CAPW11	Motor-Window-Driver	Dark grey	6	Behind driver door trim panel	DRIVER DOOR RHD
CBPK10	Module-Door latch-Passenger	Black	4	Behind passenger door trim panel	PASSENGER DOOR LHD
CBPK10	Module-Door latch-Passenger	Black	4	Behind passenger door trim panel	PASSENGER DOOR RHD
CBPK24	Handle-Passenger door	Black	6	Behind passenger door trim panel	PASSENGER DOOR LHD
CBPK24	Handle-Passenger door	Black	6	Behind passenger door trim panel	PASSENGER DOOR RHD
CBPL64	Motor-Central door-locking-Passenger	Black	10	Behind passenger door trim panel	PASSENGER DOOR LHD
CBPL64	Motor-Central door-locking-Passenger	Black	10	Behind passenger door trim panel	PASSENGER DOOR RHD
CBPM31	Mirror-Door-Passenger side	Dark grey	22	Behind passenger door trim panel	PASSENGER DOOR LHD

Connector	Description	Color	Cav	Location	Harness
CBPM31	Mirror-Door-Passenger side	Dark grey	22	Behind passenger door trim panel	PASSENGER DOOR RHD
CBPW04A	Module-Passenger-door	Grey	22	Behind passenger door trim panel	PASSENGER DOOR LHD
CBPW04A	Module-Passenger-door	Grey	22	Behind passenger door trim panel	PASSENGER DOOR RHD
CBPW04B	Module-Passenger-door	Grey	24	Behind passenger door trim panel	PASSENGER DOOR LHD
CBPW04B	Module-Passenger-door	Grey	24	Behind passenger door trim panel	PASSENGER DOOR RHD
CBPW19	Switch-Window-Passenger door	Light blue	5	Behind passenger door trim panel	PASSENGER DOOR LHD
CBPW19	Switch-Window-Passenger door	Light blue	5	Behind passenger door trim panel	PASSENGER DOOR RHD
CBPW20	Motor-Window-Passenger	Dark grey	6	Behind passenger door trim panel	PASSENGER DOOR LHD
CBPW20	Motor-Window-Passenger	Dark grey	6	Behind passenger door trim panel	PASSENGER DOOR RHD
G1D108	Ground-Electronic-control module (ECM)		1	Behind RH front wheel arch liner	ENGINE COMPARTMENT LH
G1D108	Ground-Electronic-control module (ECM)		1	Behind LH front wheel arch liner	ENGINE COMPARTMENT RH
G1D120	Ground-ABS		1	Rear RH side of engine compartment	ENGINE COMPARTMENT LH
G1D120	Ground-ABS		1	Rear LH side of engine compartment	ENGINE COMPARTMENT RH
G1D123	Ground point		1	Rear RH side of engine compartment	ENGINE COMPARTMENT RH
G1D123	Ground point		1	Rear LH side of engine compartment	ENGINE COMPARTMENT LH
G1D124	Ground - DV6		1	Behind RH front wheel arch liner	STARTER DIESEL
G1D124	Ground - PV8		1	Behind RH front wheel arch liner	STARTER V8
G1D124	Ground - PV6		1	Behind RH front wheel arch liner	STARTER V6
G1D129	Ground point		1	Behind LH headlamp	ENGINE COMPARTMENT LH
G1D129	Ground point		1	Behind LH headlamp	ENGINE COMPARTMENT RH
G1D131	Ground point		1	Behind RH headlamp	ENGINE COMPARTMENT LH
G1D131	Ground point		1	Behind RH headlamp	ENGINE COMPARTMENT RH
G1D132	Ground point		1	Behind RH headlamp	ENGINE COMPARTMENT LH
G1D132	Ground point		1	Behind RH headlamp	ENGINE COMPARTMENT RH
G2D114	Ground point		1	Behind center of Instrument panel	INSTRUMENT PANEL LHD
G2D114	Ground point		1	Behind center of Instrument panel	INSTRUMENT PANEL RHD
G2D115	Ground point		1	Behind instrument cluster	INSTRUMENT PANEL LHD
G2D115	Ground point		1	Behind instrument cluster	INSTRUMENT PANEL RHD
G2D116	Ground point		1	Behind instrument cluster	INSTRUMENT PANEL LHD
G2D116	Ground point		1	Behind instrument cluster	INSTRUMENT PANEL RHD
G3D133	Ground point		1	LH 'A' post	BODY LH
G3D133	Ground point		1	LH 'A' post	BODY RH
G3D138	Ground point		1	RH 'A' post	BODY RH
G3D138	Ground point		1	RH 'A' post	BODY LH
G3D161	Ground point		1	LH 'C' post	BODY LH
G3D161	Ground point		1	LH 'C' post	BODY RH
G3D162	Ground point		1	RH 'C' post	BODY LH
G3D162	Ground point		1	RH 'C' post	BODY RH
G3D169	Ground point		1	Beneath center console LH side	PTC CABLE NEGATIVE
G3D182A	Ground point		1	Beneath LH Front seat	BODY LH
G3D182A	Ground point		1	Beneath LH Front seat	BODY RH

Connector	Description	Color	Cav	Location	Harness
G3D182B	Ground point		1	Behind LH Front Seat	BODY LH
G3D182B	Ground point		1	Beneath LH Front seat	BODY RH
G3D183A	Ground point		1	Beneath RH Front seat	BODY LH
G3D183A	Ground point		1	Beneath RH Front seat	BODY RH
G3D183B	Ground point		1	Beneath RH Front seat	BODY LH
G3D183B	Ground point		1	Beneath RH Front seat	BODY RH
G4D171	Ground point		1	Behind luggage compartment carpet LH side	BODY LH
G4D171	Ground point		1	Behind luggage compartment carpet LH side	BODY RH
G4D172	Ground point		1	Behind luggage compartment carpet LH side	BODY LH
G4D172	Ground point		1	Behind luggage compartment carpet LH side	BODY RH
G4D173	Ground point		1	Behind luggage compartment carpet RH side	BODY LH
G4D173	Ground point		1	Behind luggage compartment carpet RH side	BODY RH
G4D178	Ground point		1	Behind luggage compartment carpet RH side	BATTERY NEGATIVE
G9D149	Ground point		1	Behind 'C' post upper trim panel-RH side	ANTENNA LINK
GB002	TCM and Control Valve Body - DV6	Black	16	RH side of gearbox	GEARBOX AUTO
GB002	TCM and Control Valve Body - PV8NA	Black	16	RH side of gearbox	ENGINE PETROL V8 N/A
GB002	TCM and Control Valve Body - PV8SC	Black	16	RH side of gearbox	ENGINE PETROL V8 S/C
GB002	TCM and Control Valve Body - PV6	Black	16	RH side of gearbox	ENGINE PETROL V6
IL003	Fuel injector-No.1 - PV6	Grey	2	Top of engine	INJECTOR
IL004	Fuel injector-No.3 - PV6	Grey	2	Top of engine	INJECTOR
IL005	Fuel injector-No.5 - PV6	Grey	2	Top of engine	INJECTOR
IL006	Fuel injector-No.2 - PV6	Black	2	Top of engine	INJECTOR
IL007	Fuel injector-No.4 - PV6	Black	2	Top of engine	INJECTOR
IL008	Fuel injector-No.6 - PV6	Black	2	Top of engine	INJECTOR
IL009	Fuel rail temperature sensor			Top of engine	INJECTOR
IL010	Injector harness to engine harness	Black	12	Top of engine	INJECTOR
IL010	Engine harness to injector harness	Black	12	Rear RH side of engine	ENGINE PETROL V6
IL012	Sensor-Pressure-Fuel rail			Top of engine	INJECTOR
IS005	Engine harness to injector harness	Black	6	Top of engine - RH side	ENGINE PETROL V8 S/C
IS006	Engine harness to injector harness	Black	6	Top of engine - LH side	ENGINE PETROL V8 S/C
PI002	Ignition coil-1 - PV6	Black	4	Top of engine - RH side	ENGINE PETROL V6
PI002	Ignition coil-1 - PV8NA	Black	4	Top of engine - RH side	ENGINE PETROL V8 N/A
PI002	Ignition coil-1 - PV8SC	Black	4	Top of engine - RH side	ENGINE PETROL V8 S/C
PI003	Ignition coil-2 - PV6	Black	4	Top of engine - RH side	ENGINE PETROL V6
PI003	Ignition coil-2 - PV8NA	Black	4	Top of engine - RH side	ENGINE PETROL V8 N/A
PI003	Ignition coil-2 - PV8SC	Black	4	Top of engine - RH side	ENGINE PETROL V8 S/C
PI004	Ignition coil-3 - PV6	Black	4	Top of engine - RH side	ENGINE PETROL V6
PI004	Ignition coil-3 - PV8NA	Black	4	Top of engine - RH side	ENGINE PETROL V8 N/A
PI004	Ignition coil-3 - PV8SC	Black	4	Top of engine - RH side	ENGINE PETROL V8 S/C
PI005	Ignition coil-4 - PV8NA	Black	4	Top of engine - RH side	ENGINE PETROL V8 N/A

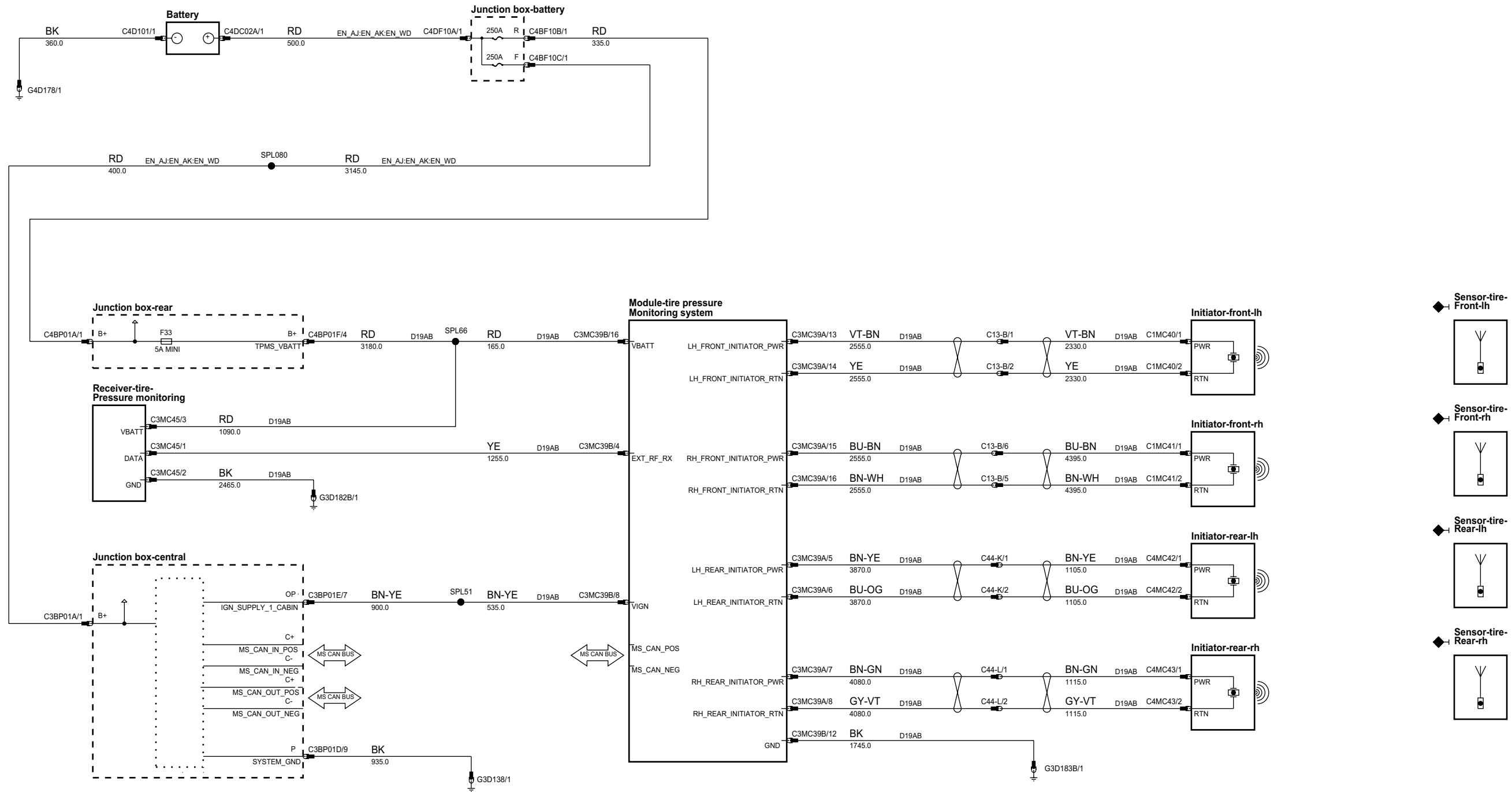
Connector	Description	Color	Cav	Location	Harness
PI005	Ignition coil-4 - PV8SC	Black	4	Top of engine - RH side	ENGINE PETROL V8 S/C
PI006	Ignition coil-4 - PV6	Black	4	Top of engine - LH side	ENGINE PETROL V6
PI006	Ignition coil-5 - PV8NA	Black	4	Top of engine - LH side	ENGINE PETROL V8 N/A
PI006	Ignition coil-5 - PV8SC	Black	4	Top of engine - LH side	ENGINE PETROL V8 S/C
PI007	Ignition coil-5 - PV6	Black	4	Top of engine - LH side	ENGINE PETROL V6
PI007	Ignition coil-6 - PV8NA	Black	4	Top of engine - LH side	ENGINE PETROL V8 N/A
PI007	Ignition coil-6 - PV8SC	Black	4	Top of engine - LH side	ENGINE PETROL V8 S/C
PI008	Ignition coil-6 - PV6	Black	4	Top of engine - LH side	ENGINE PETROL V6
PI008	Ignition coil-7 - PV8NA	Black	4	Top of engine - LH side	ENGINE PETROL V8 N/A
PI008	Ignition coil-7 - PV8SC	Black	4	Top of engine - LH side	ENGINE PETROL V8 S/C
PI009	Ignition coil-8 - PV8NA	Black	4	Top of engine - LH side	ENGINE PETROL V8 N/A
PI009	Ignition coil-8 - PV8SC	Black	4	Top of engine - LH side	ENGINE PETROL V8 S/C
PI010	Sensor-Oxygen-Odd-Pre-catalyst - PV8NA	Dark grey	4	RH side of gearbox	ENGINE PETROL V8 N/A
PI010	Sensor-Oxygen-Odd-Pre-catalyst - PV8SC	Dark grey	4	RH side of gearbox	ENGINE PETROL V8 S/C
PI010	Sensor-Oxygen-Odd-Pre-catalyst - PV6	Dark grey	4	RH side of gearbox	ENGINE PETROL V6
PI011	Sensor-Oxygen-Odd-Post catalyst - PV8NA	Black	4	RH side of gearbox	ENGINE PETROL V8 N/A
PI011	Sensor-Oxygen-Odd-Post catalyst - PV8SC	Black	4	RH side of gearbox	ENGINE PETROL V8 S/C
PI011	Sensor-Oxygen-Odd-Post catalyst - PV6	Black	4	RH side of gearbox	ENGINE PETROL V6
PI012	Sensor-Oxygen-Even-Pre-catalyst - PV8NA	Dark grey	4	LH side of gearbox	ENGINE PETROL V8 N/A
PI012	Sensor-Oxygen-Even-Pre-catalyst - PV8SC	Dark grey	4	LH side of gearbox	ENGINE PETROL V8 S/C
PI012	Sensor-Oxygen-Even-Pre-catalyst - PV6	Dark grey	4	LH side of gearbox	ENGINE PETROL V6
PI013	Sensor-Oxygen-Even-Post catalyst - PV8NA	Black	4	LH side of gearbox	ENGINE PETROL V8 N/A
PI013	Sensor-Oxygen-Even-Post catalyst - PV8SC	Black	4	LH side of gearbox	ENGINE PETROL V8 S/C
PI013	Sensor-Oxygen-Even-Post catalyst - PV6	Black	4	LH side of gearbox	ENGINE PETROL V6
PI014	Sensor-Mass air-flow (MAF) - PV6	Black	5	Front LH side of engine	ENGINE PETROL V6
PI014	Sensor-Mass air-flow (MAF) - PV8NA	Black	5	Front LH side of engine	ENGINE PETROL V8 N/A
PI015	Stepper Motor-EGR - PV8NA	Dark grey	6	Top of engine - RH side	ENGINE PETROL V8 N/A
PI015	Stepper Motor-EGR - PV8SC	Dark grey	6	Top rear of engine - center	ENGINE PETROL V8 S/C
PI016	Valve-Oil-Variable-valve timing - PV6	Black	2	Top front of engine - RH side	ENGINE PETROL V6
PI016	Valve-Oil-Variable-valve timing - PV8NA	Black	2	Top front of engine - RH side	ENGINE PETROL V8 N/A
PI016	Valve-Oil-Variable-valve timing - PV8SC	Black	2	Top front of engine - RH side	ENGINE PETROL V8 S/C
PI017	Valve-Oil-Variable-valve timing - PV6	Black	2	Top front of engine - LH side	ENGINE PETROL V6
PI017	Valve-Oil-Variable-valve timing - PV8NA	Black	2	Top front of engine - LH side	ENGINE PETROL V8 N/A
PI017	Valve-Oil-Variable-valve timing - PV8SC	Black	2	Top front of engine - LH side	ENGINE PETROL V8 S/C
PI019	Sensor-twin knock - PV8NA	Black	4	Top of engine - LH side	ENGINE PETROL V8 N/A
PI019	Sensor-twin knock - PV8SC	Black	4	Top of engine - LH side	ENGINE PETROL V8 S/C
PI021	Sensor-Crankshaft-position (CKP) - PV6	Black	2	Lower front of engine - RH side	ENGINE PETROL V6
PI021	Sensor-Crankshaft-position (CKP) - PV8NA	Black	2	Bottom of engine	ENGINE PETROL V8 N/A
PI021	Sensor-Crankshaft-position (CKP) - PV8SC	Black	2	Bottom of engine	ENGINE PETROL V8 S/C
PI022	Sensor-Camshaft-position (CMP)-bank 2 - PV6	Black	2	Front LH side of engine	ENGINE PETROL V6
PI022	Sensor-Camshaft-position (CMP)-bank 2 - PV8SC	Black	2	Rear LH side of engine	ENGINE PETROL V8 S/C

Connector	Description	Color	Cav	Location	Harness
PI022	Sensor-Camshaft-position (CMP)-bank 2 - PV8NA	Black	2	Rear LH side of engine	ENGINE PETROL V8 N/A
PI023	Sensor-Camshaft-position (CMP)-bank 1 - PV6	Black	2	Front RH side of engine	ENGINE PETROL V6
PI023	Sensor-Camshaft-position (CMP)-bank 1 - PV8SC	Black	2	Rear RH side of engine	ENGINE PETROL V8 S/C
PI023	Sensor-Camshaft-position (CMP)-bank 1 - PV8NA	Black	2	Rear RH side of engine	ENGINE PETROL V8 N/A
PI024	Sensor-Oil-temperature - PV6	Grey	2	LH side of engine	ENGINE PETROL V6
PI024	Sensor-Oil-temperature - PV8NA	Grey	2	Lower front of engine - RH side	ENGINE PETROL V8 N/A
PI024	Sensor-Oil-temperature - PV8SC	Grey	2	Lower front of engine - RH side	ENGINE PETROL V8 S/C
PI025	Sensor-Engine coolant-temperature (ECT) - PV6	Black	2	Front of engine - center	ENGINE PETROL V6
PI025	Sensor-Engine coolant-temperature (ECT) - PV8NA	Grey	2	Top of engine - LH side	ENGINE PETROL V8 N/A
PI025	Sensor-Engine coolant-temperature (ECT) - PV8SC	Grey	2	Top of engine - RH side	ENGINE PETROL V8 S/C
PI026	Motor-Throttle - PV8SC	Black	6	Top of engine - LH side	ENGINE PETROL V8 S/C
PI027	Sensor-Temperature-Fuel rail - PV8SC	Grey	2	Rear RH side of engine	ENGINE PETROL V8 S/C
PI027	Sensor-Temperature-Fuel rail - PV8NA	Grey	2	Rear RH side of engine	ENGINE PETROL V8 N/A
PI028	Sensor-Pressure-Fuel rail - PV8NA	Black	3	Top of engine - RH side	ENGINE PETROL V8 N/A
PI028	Sensor-Pressure-Fuel rail - PV8SC	Black	3	Top of engine - LH side	ENGINE PETROL V8 S/C
PI029	Sensor-Temperature and Manifold-Absolute Pressure (TMAP) - PV6	Black	4	Rear RH side of engine	ENGINE PETROL V6
PI029	Sensor-Temperature and Manifold-Absolute Pressure (TMAP) - PV8SC	Black	4	Top of engine - RH side	ENGINE PETROL V8 S/C
PI029	Sensor-Temperature and Manifold-Absolute Pressure (TMAP) - PV8NA	Black	4	Center rear of engine	ENGINE PETROL V8 N/A
PI030	Valve-Inlet manifold tuning bank 1	Black	2	Rear RH side of engine	ENGINE PETROL V6
PI031	Valve-Inlet manifold tuning bank 2	Black	2	Rear RH side of engine	ENGINE PETROL V6
PI032	Fuel injector-No.1 - PV8NA	Black	2	Top of engine - RH side	ENGINE PETROL V8 N/A
PI033	Fuel injector-No.2 - PV8NA	Black	2	Top of engine - RH side	ENGINE PETROL V8 N/A
PI034	Fuel injector-No.3 - PV8NA	Black	2	Top of engine - RH side	ENGINE PETROL V8 N/A
PI035	Fuel injector-No.4 - PV8NA	Black	2	Top of engine - RH side	ENGINE PETROL V8 N/A
PI036	Fuel injector-No.5 - PV8NA	Black	2	Top of engine - LH side	ENGINE PETROL V8 N/A
PI037	Fuel injector-No.6 - PV8NA	Black	2	Top of engine - LH side	ENGINE PETROL V8 N/A
PI038	Fuel injector-No.7 - PV8NA	Black	2	Top of engine - LH side	ENGINE PETROL V8 N/A
PI039	Fuel injector-No.8 - PV8NA	Black	2	Top of engine - LH side	ENGINE PETROL V8 N/A
PI040	Motor-Throttle - PV6	Black	6	Top of engine	ENGINE PETROL V6
PI043	Sensor-Knock (KS) - PV6	Black	2	RH side of engine	ENGINE PETROL V6
PI044	Sensor-Knock (KS) - PV6	Black	2	Rear RH side of engine	ENGINE PETROL V6
PI046	Switch-Oil pressure - PV6	Black	1	LH side of engine	ENGINE PETROL V6
PI046	Switch-Oil pressure - PV8NA	Grey	1	Lower front of engine - RH side	ENGINE PETROL V8 N/A
PI046	Switch-Oil pressure - PV8SC	Grey	1	Lower front of engine - RH side	ENGINE PETROL V8 S/C
PI048	Generator - PV6	Black	2	RH side of engine	ENGINE PETROL V6
PI048	Generator - PV8NA	Black	2	RH side of engine	ENGINE PETROL V8 N/A
PI048	Generator - PV8SC	Black	2	RH side of engine	ENGINE PETROL V8 S/C
PI049	Valve-Solenoid-Refrigerant - PV6	Black	2	LH side of engine	ENGINE PETROL V6
PI049	Valve-Solenoid-Refrigerant - PV8NA	Black	2	Front LH side of engine	ENGINE PETROL V8 N/A
PI049	Valve-Solenoid-Refrigerant - PV8SC	Black	2	Front LH side of engine	ENGINE PETROL V8 S/C

Connector	Description	Color	Cav	Location	Harness
PI051	Ground-Coil - PV6		1	Rear LH side of engine	ENGINE PETROL V6
PI051	Ground-Coil - PV8NA		1	Top of engine - RH side	ENGINE PETROL V8 N/A
PI051	Ground-Coil - PV8SC		1	Top of engine - RH side	ENGINE PETROL V8 S/C
PI052	Ground-Coil - PV8NA		1	Top of engine - LH side	ENGINE PETROL V8 N/A
PI052	Ground-Coil - PV8SC		1	Top of engine - LH side	ENGINE PETROL V8 S/C
PI054	Capacitor - PV6	Black	2	Rear LH side of engine	ENGINE PETROL V6
PI054	Capacitor - PV8NA	Black	2	Top of engine - RH side	ENGINE PETROL V8 N/A
PI054	Capacitor - PV8SC	Black	2	Top of engine - LH side	ENGINE PETROL V8 S/C
PI300	Engine control-module (ECM) - PV8SC	Black	96	Passenger side of engine compartment	ENGINE PETROL V8 S/C
PI300	Engine control-module (ECM) - PV6	Black	96	Passenger side of engine compartment	ENGINE PETROL V6
PI300	Engine control-module (ECM) - PV8NA	Black	96	Passenger side of engine compartment	ENGINE PETROL V8 N/A
PI301	Sensor-Manifold Absolute-Pressure (MAP) - PV8SC	Black	4	Top rear of engine - center	ENGINE PETROL V8 S/C
PI302	Solenoid-Vacuum (SAI) - PV6	Black	2	Front RH side of engine	ENGINE PETROL V6
PI302	Solenoid-Vacuum (SAI) - PV8NA	Black	2	Front RH side of engine	ENGINE PETROL V8 N/A
PI302	Solenoid-Vacuum (SAI) - PV8SC	Black	2	Top of engine - LH side	ENGINE PETROL V8 S/C
PI303	Motor-Throttle - PV8NA	Black	6	Top front of engine - LH side	ENGINE PETROL V8 N/A
PI304	Purge control valve - PV6	Black	2	Top front of engine - RH side	ENGINE PETROL V6
PI304	Purge control valve - PV8NA	Black	2	Top of engine - LH side	ENGINE PETROL V8 N/A
PI304	Purge control valve - PV8SC	Black	2	Top of engine - LH side	ENGINE PETROL V8 S/C
PI306	Starter motor - PV6		1	RH side of engine	ENGINE PETROL V6
PI306	Starter motor - PV8NA		1	Lower rear of engine - RH side	ENGINE PETROL V8 N/A
PI306	Starter motor - PV8SC		1	Lower rear of engine - RH side	ENGINE PETROL V8 S/C
PI310	Sensor-Mass air-flow (MAF) - PV8SC	Black	5	Front RH side of engine compartment	ENGINE PETROL V8 S/C
PI311	Sensor-Mass air-flow (MAF) - PV8SC	Black	5	Front LH side of engine compartment	ENGINE PETROL V8 S/C
SA001	Clock spring	Black	4	In center of steering wheel	STEERING WHEEL AIRBAG
SA002	Air bag-Driver		2	In center of steering wheel	STEERING WHEEL AIRBAG
SA003	Air bag-Driver	Black	2	In center of steering wheel	STEERING WHEEL AIRBAG
SA004	Clock spring			In center of steering wheel	STEERING WHEEL REMOTE ICE SWITCH
SW001	Slip rings-Steering wheel			Behind steering column cowl	STEERING WHEEL HEATED
SW002	Steering wheel inline link	Black	6	In center of steering wheel	STEERING WHEEL REMOTE ICE SWITCH
SW003	Switch-Remote-ICE	Black	6	Behind steering column cowl	STEERING WHEEL REMOTE ICE SWITCH
SW004	Switch-Remote-ICE	Black	4	Behind steering column cowl	STEERING WHEEL REMOTE ICE SWITCH
SW005	Switch-Remote-ICE	Black	5	Behind steering column cowl	STEERING WHEEL REMOTE PADDLE SWITCH
SW006	ECU-Heated steering-wheel			Behind steering column cowl	STEERING WHEEL HEATED
SW007	Heater-Steering wheel			Behind steering column cowl	STEERING WHEEL HEATED
SW008	Switch-Horn	White	1	In center of steering wheel	STEERING WHEEL REMOTE ICE SWITCH
SW009	Cruise controls-Remote	Black	4	Steering Wheel	STEERING WHEEL REMOTE CRUISE SWITCH
SW010	Upshift paddle switch	Black	3	Steering Wheel	STEERING WHEEL REMOTE PADDLE SWITCH
SW011	Downshift paddle switch	Black	3	Steering Wheel	STEERING WHEEL REMOTE PADDLE SWITCH
SW012	Switch-Horn	White	1	In center of steering wheel	STEERING WHEEL REMOTE ICE SWITCH
SW013	Switch-Horn	Natural	1	In center of steering wheel	STEERING WHEEL REMOTE ICE SWITCH

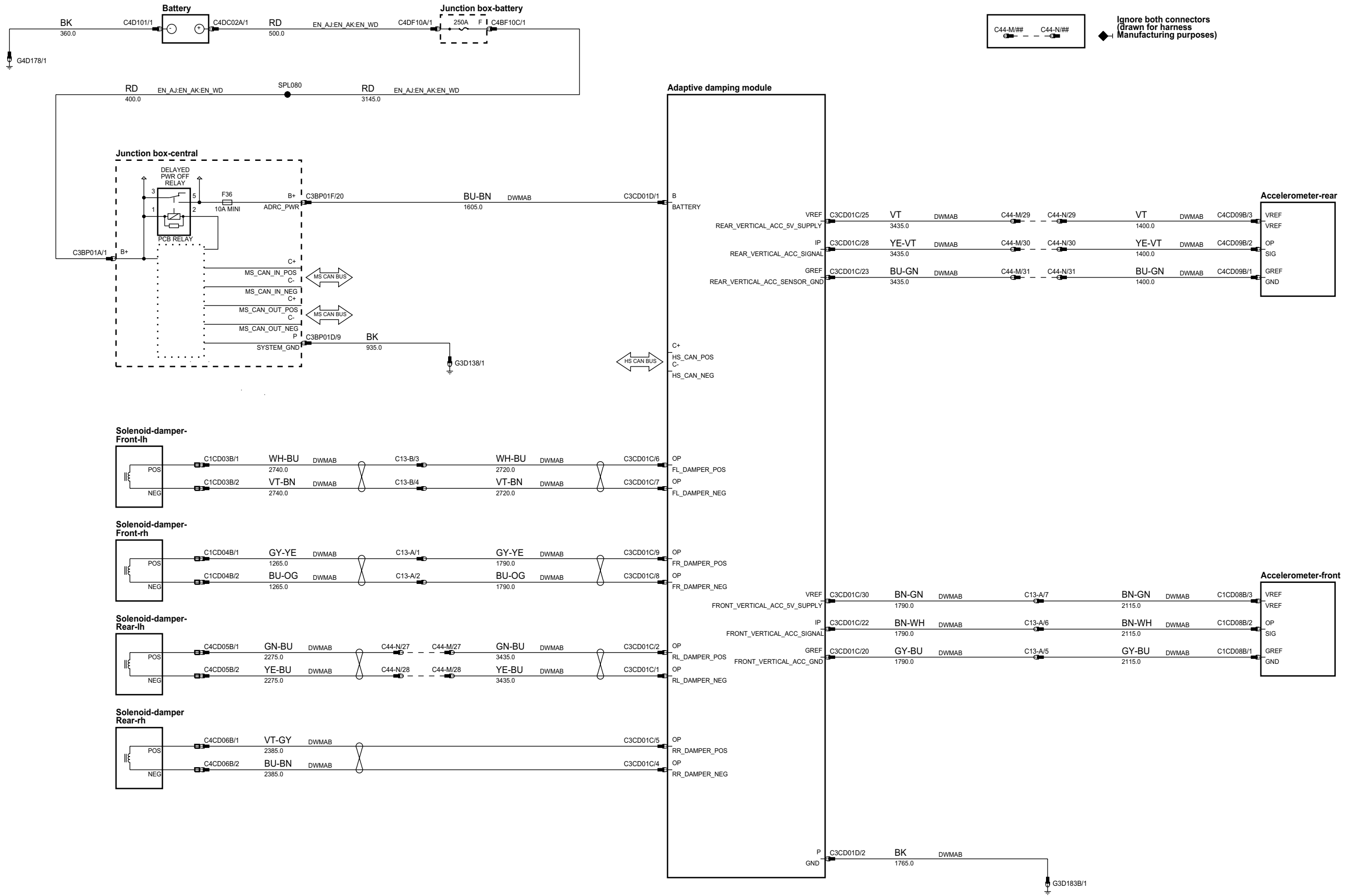
Connector	Description	Color	Cav	Location	Harness
SW014	Switch-Horn	Natural	1	In center of steering wheel	STEERING WHEEL REMOTE ICE SWITCH
SW015	Slip rings-Steering wheel			Behind steering column cowl	STEERING WHEEL HEATED

ph8r83-70267-a-af



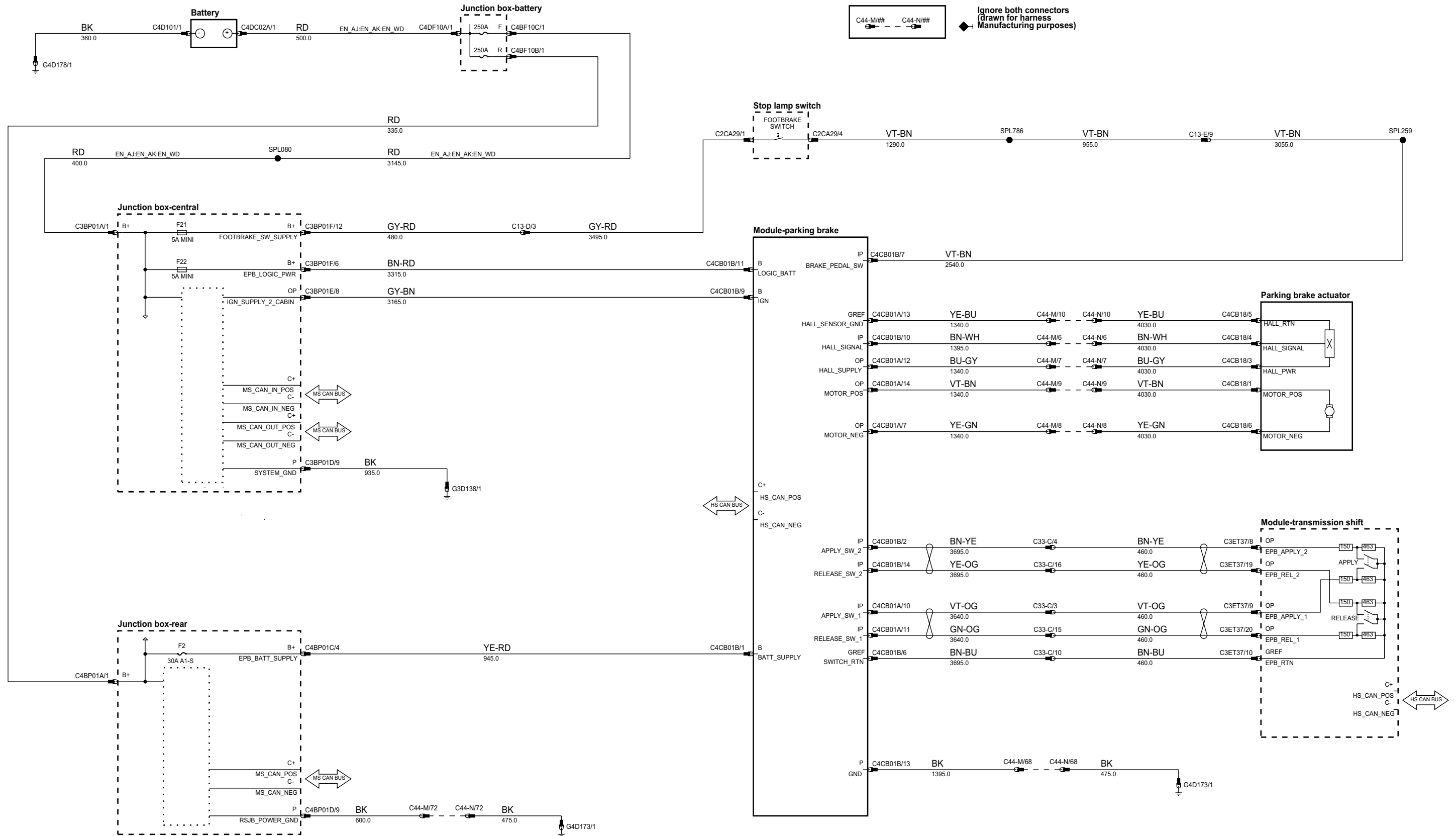
- ◆ Sensor-tire-Front-lh
- ◆ Sensor-tire-Front-rh
- ◆ Sensor-tire-Rear-lh
- ◆ Sensor-tire-Rear-rh

ph8r83-70180-a-af



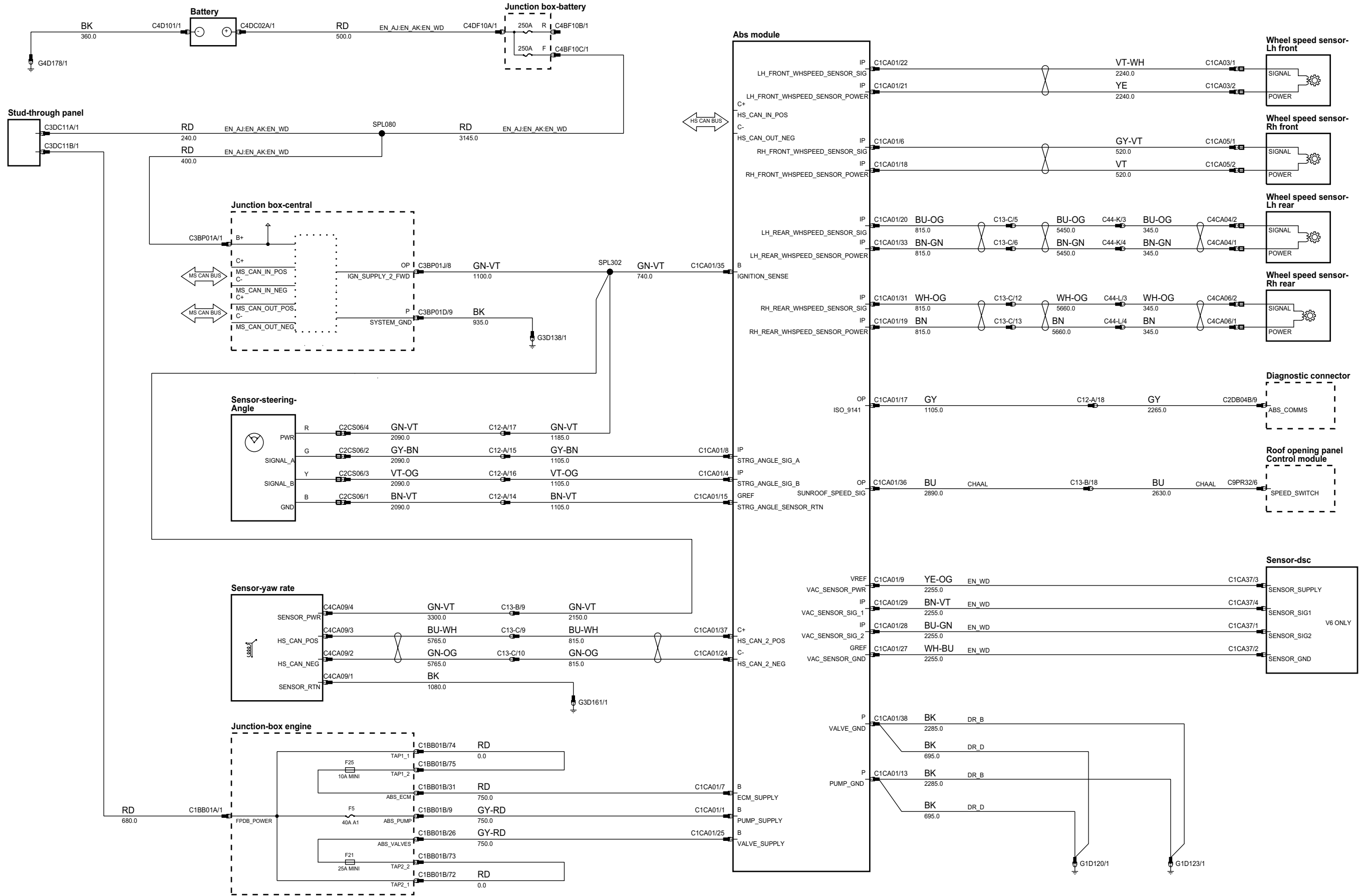
206-05 - PARKING BRAKE AND ACTUATION

ph83-70167-a-af

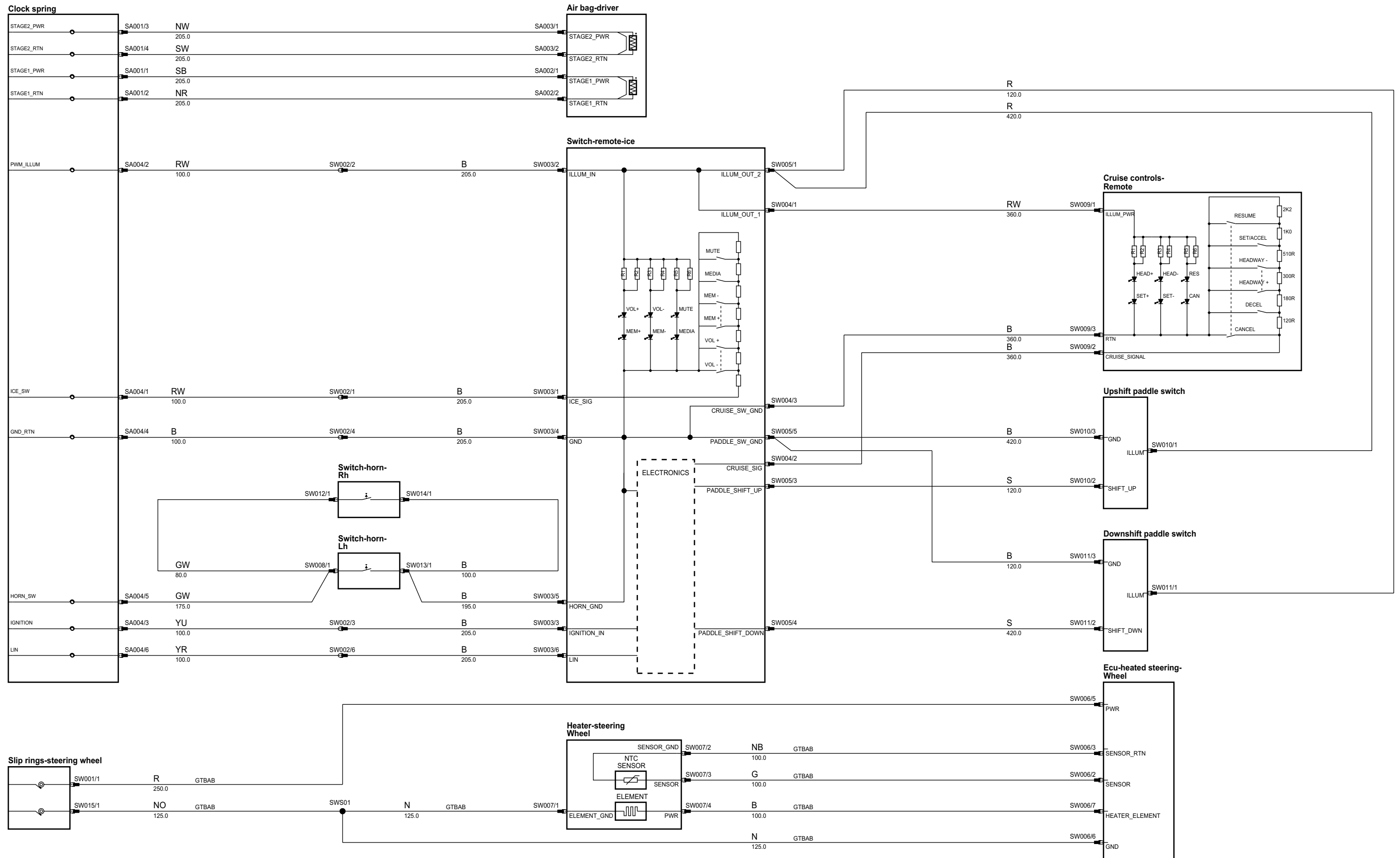


206-09 - ANTI-LOCK CONTROL

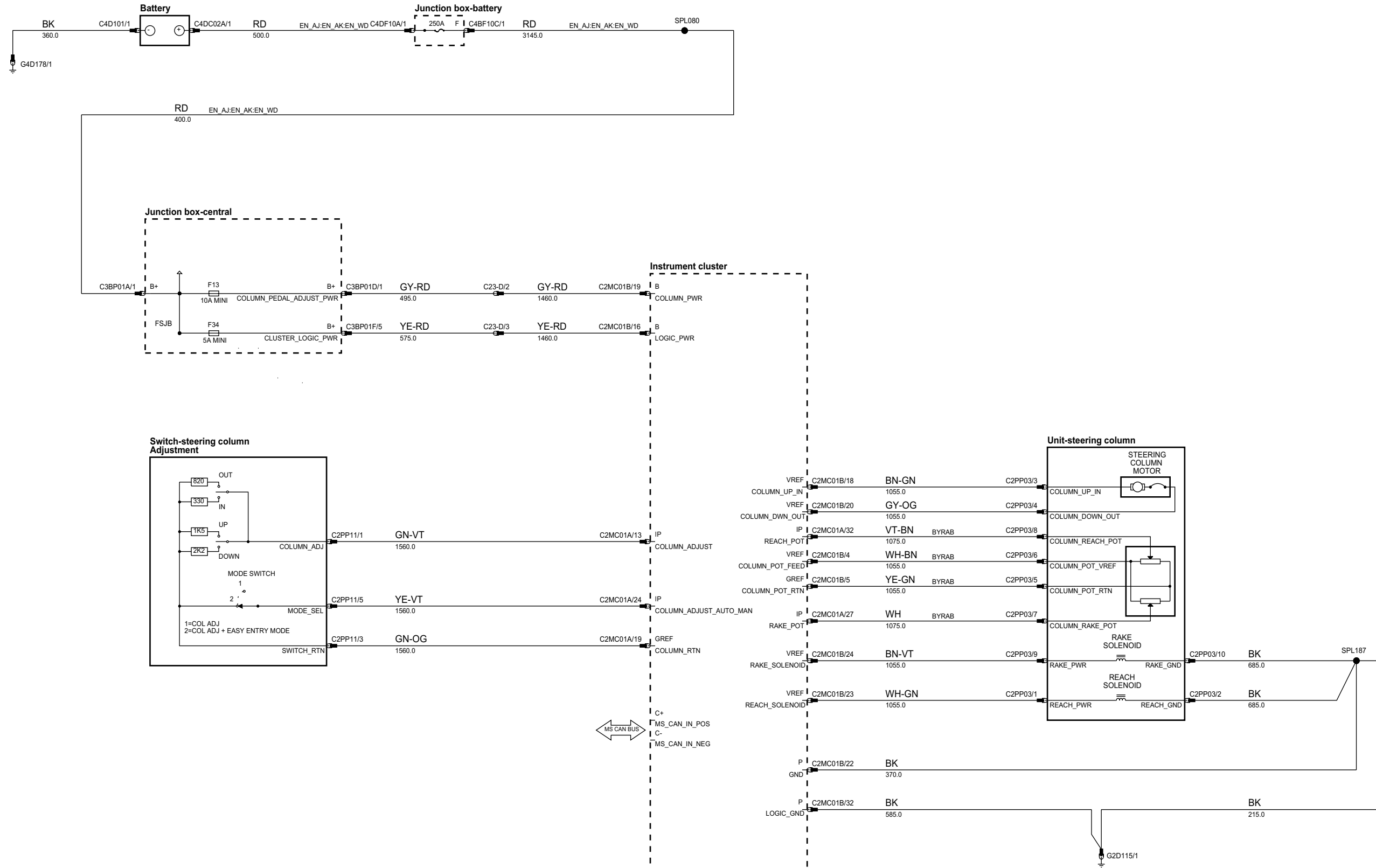
ph8r83-70165-a-af



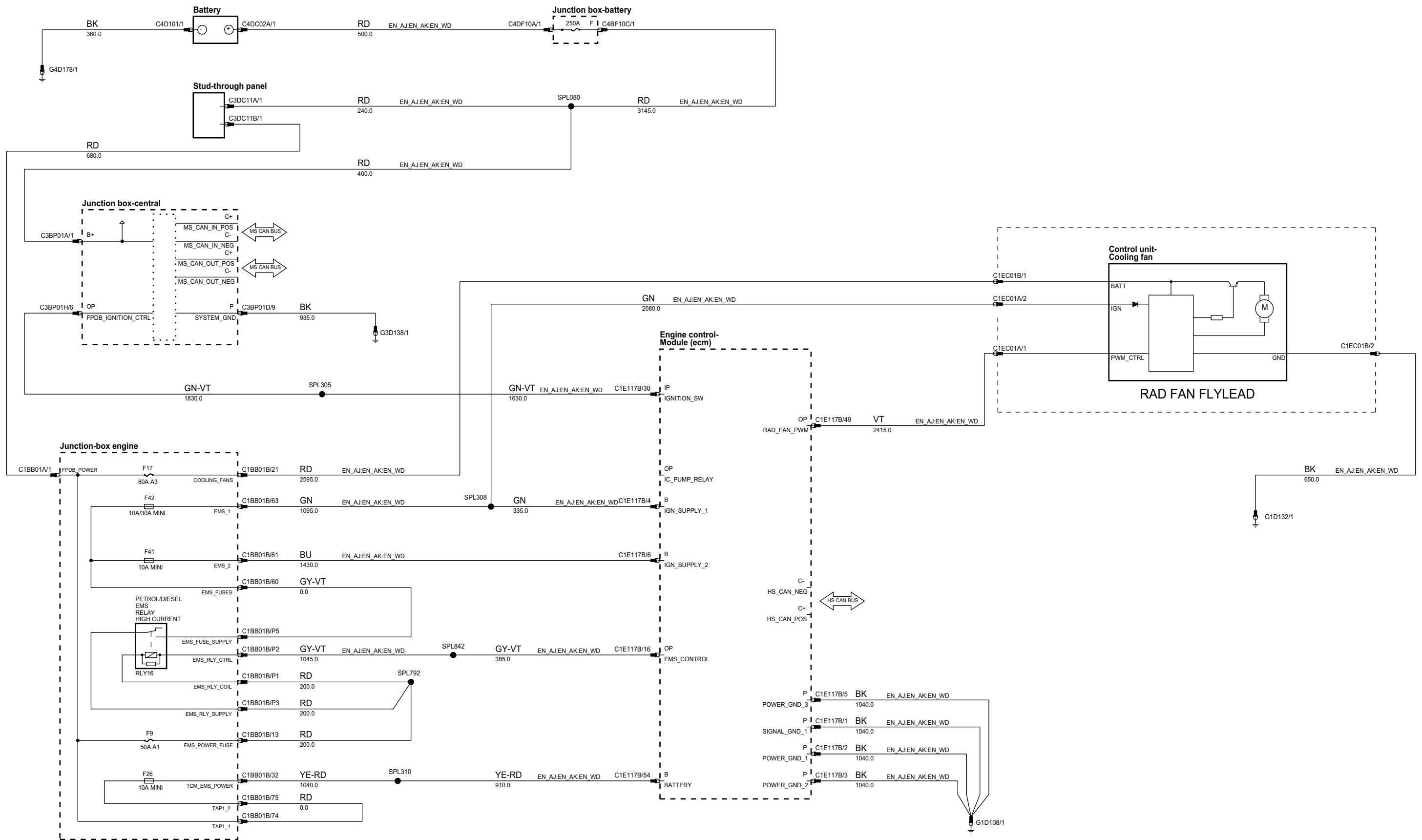
ph883-70170-a-af



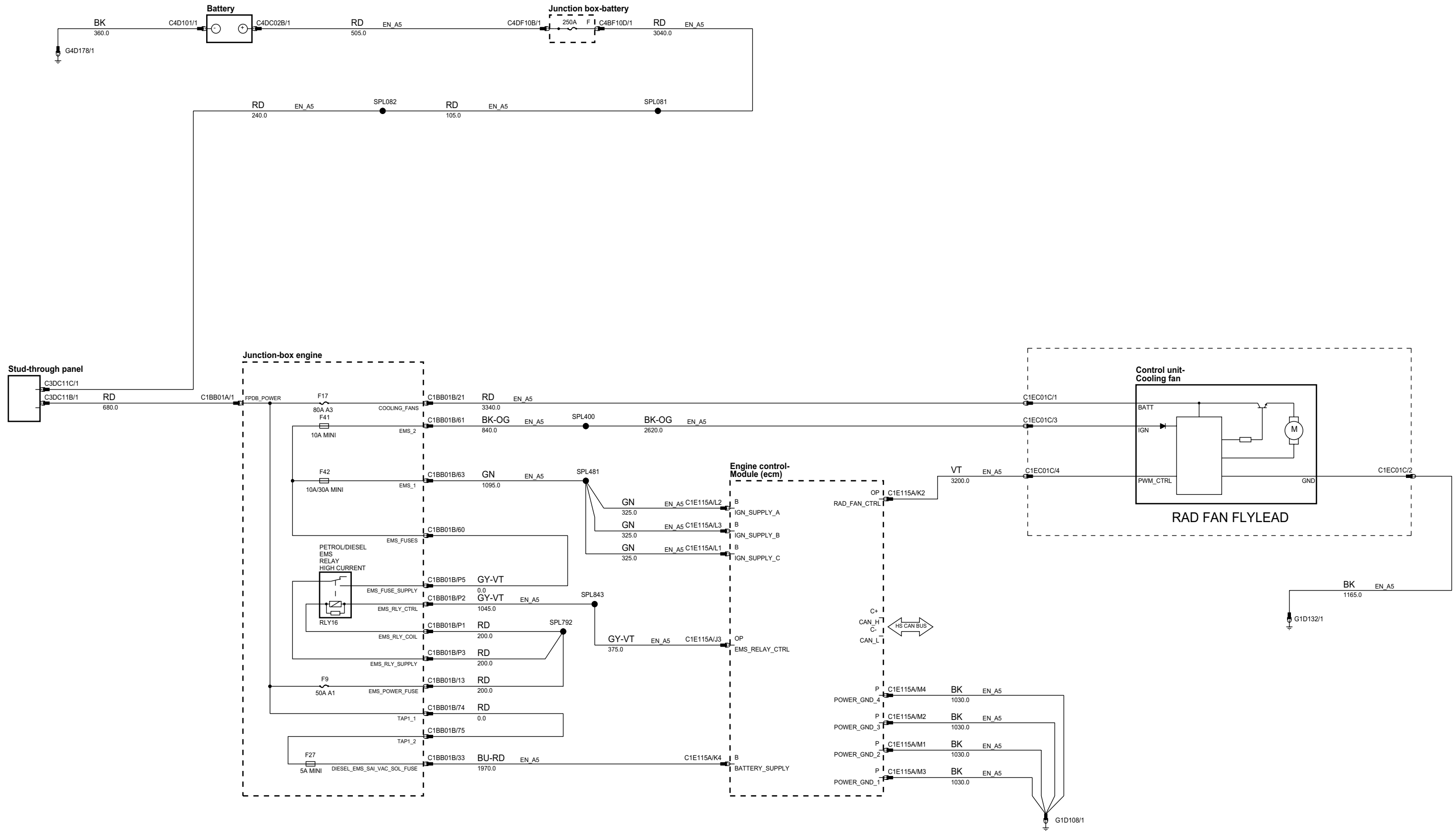
ph8r83-70360-a-af



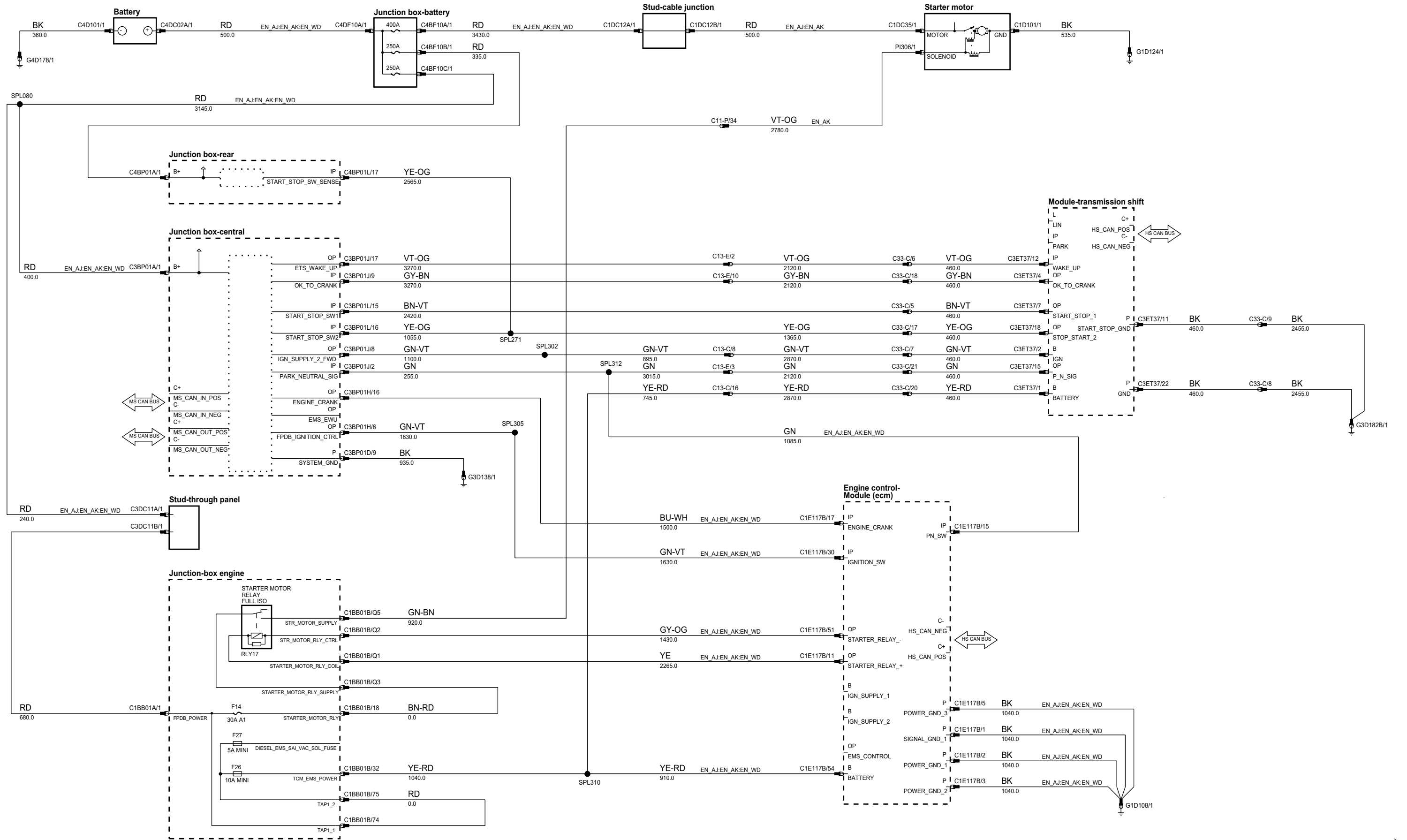
ph8r83-70033-a-af



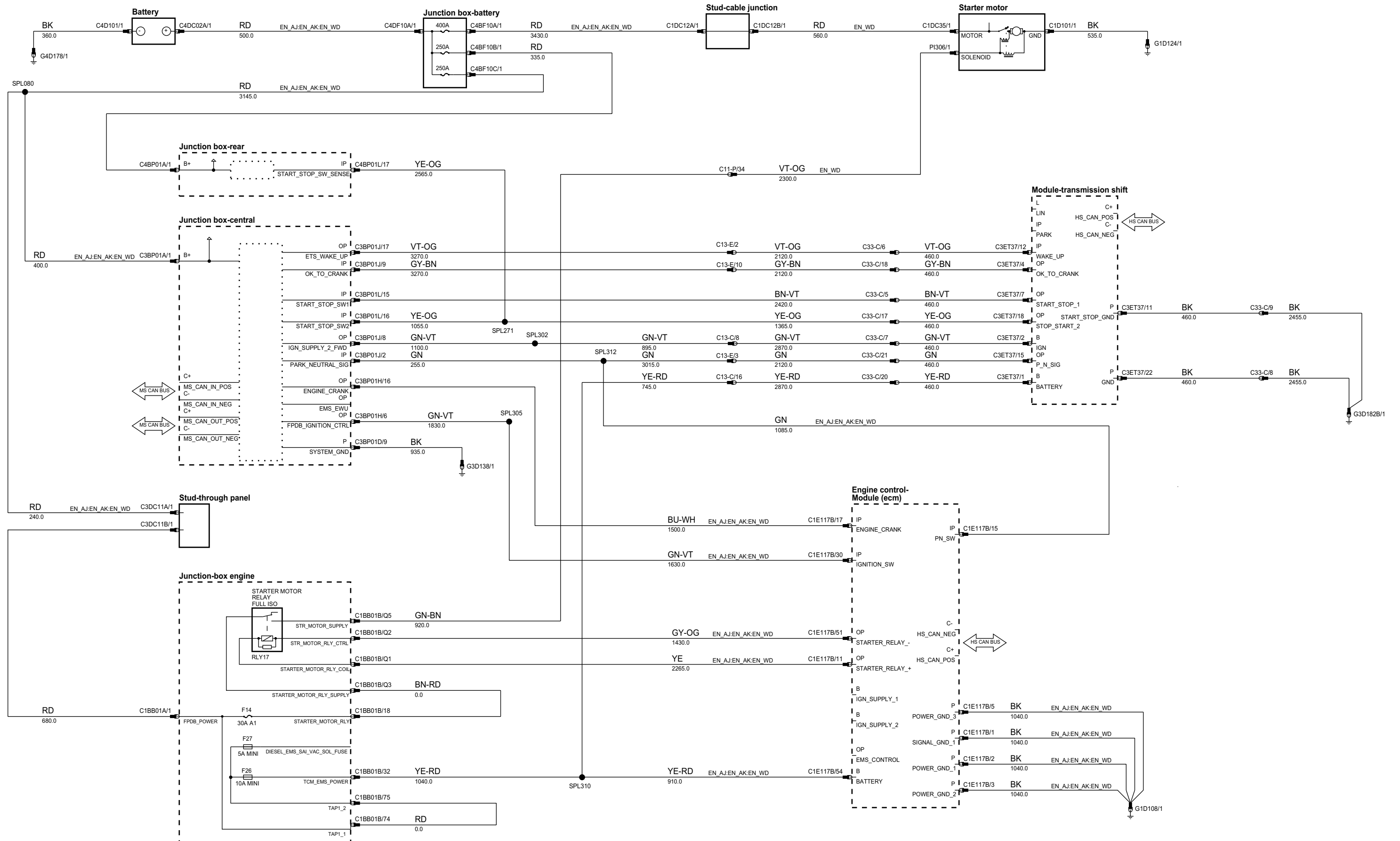
ph8r83-70033-d-af



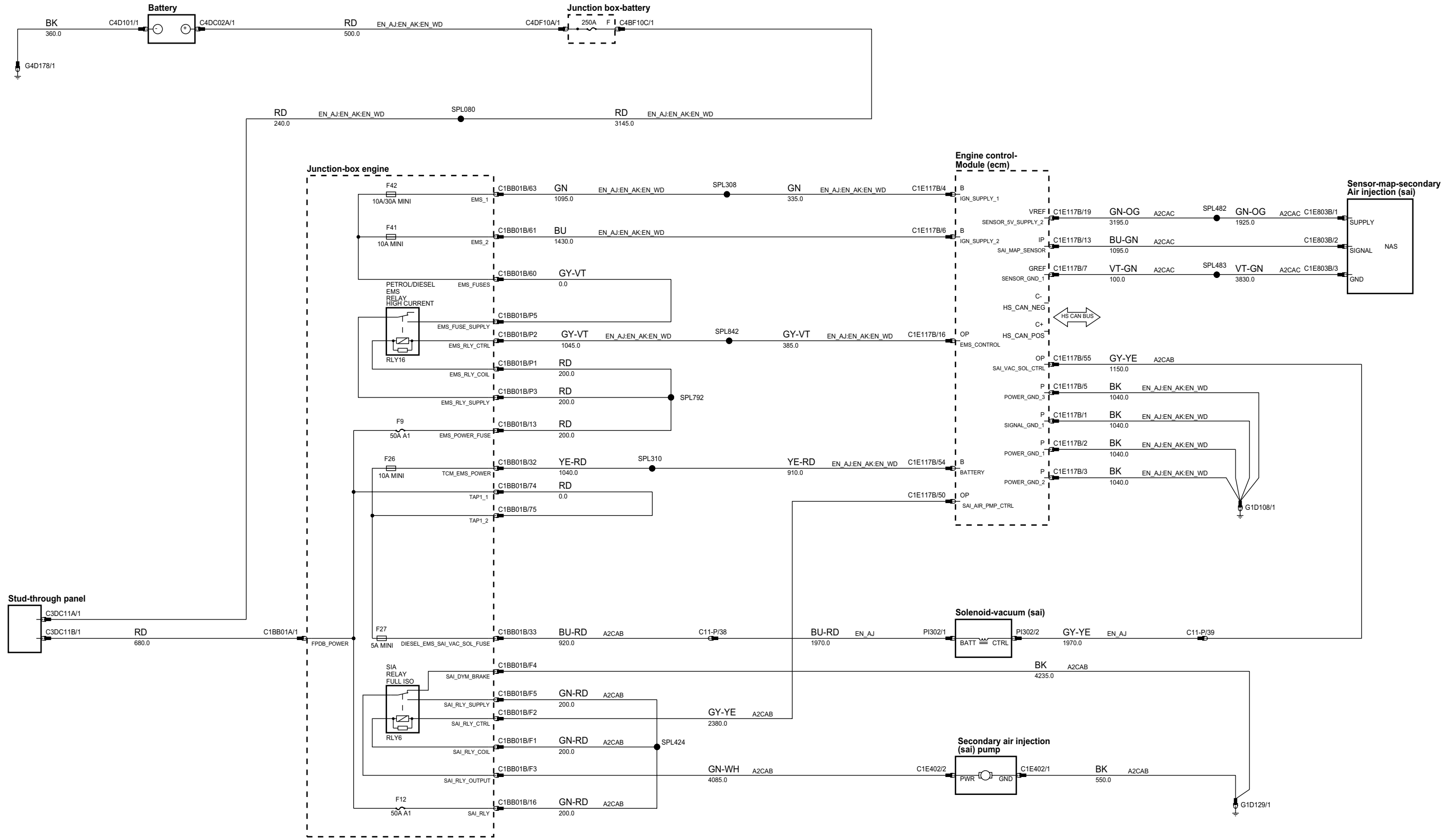
ph8r83-70021-b-af



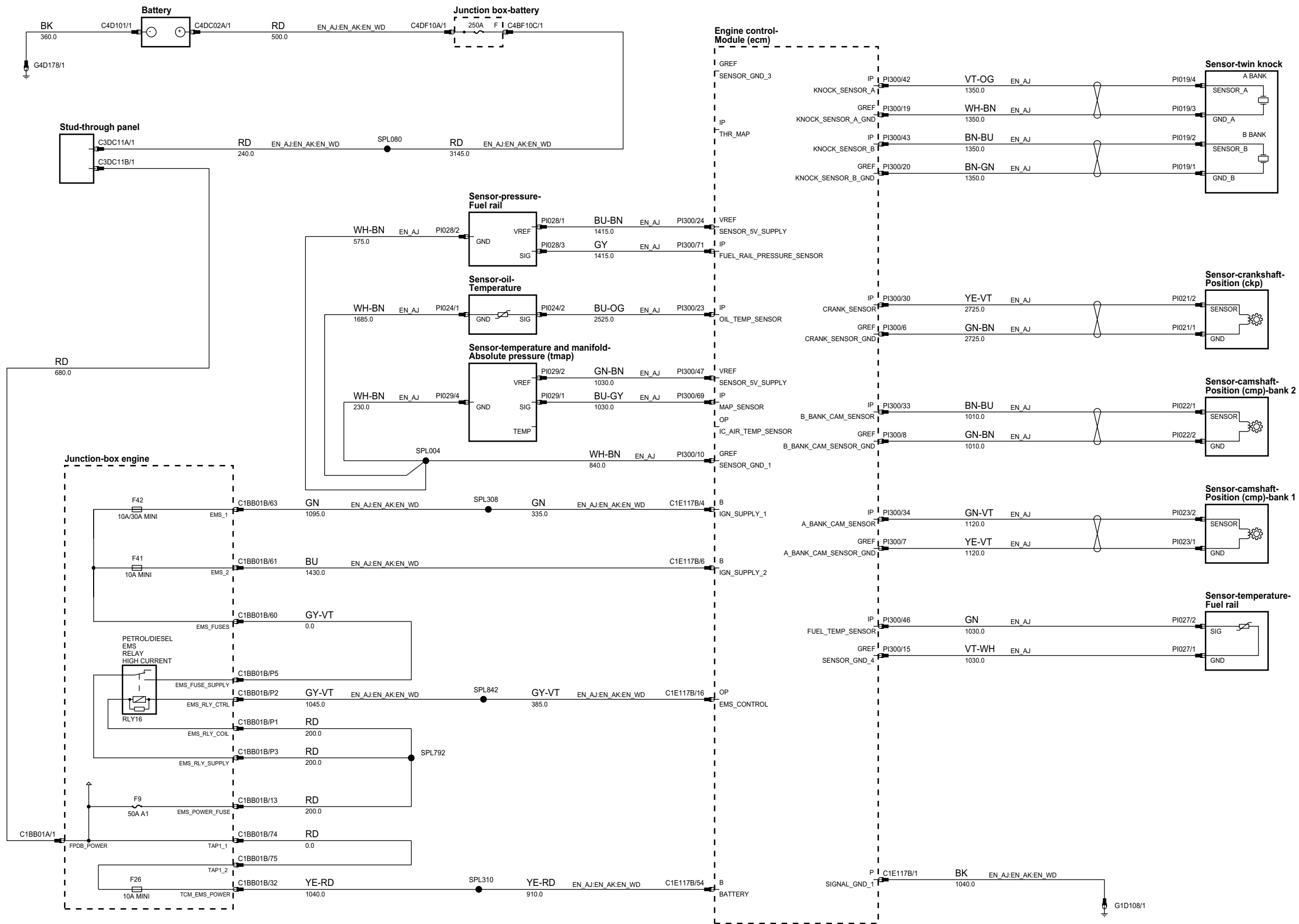
ph83-70021-c-af



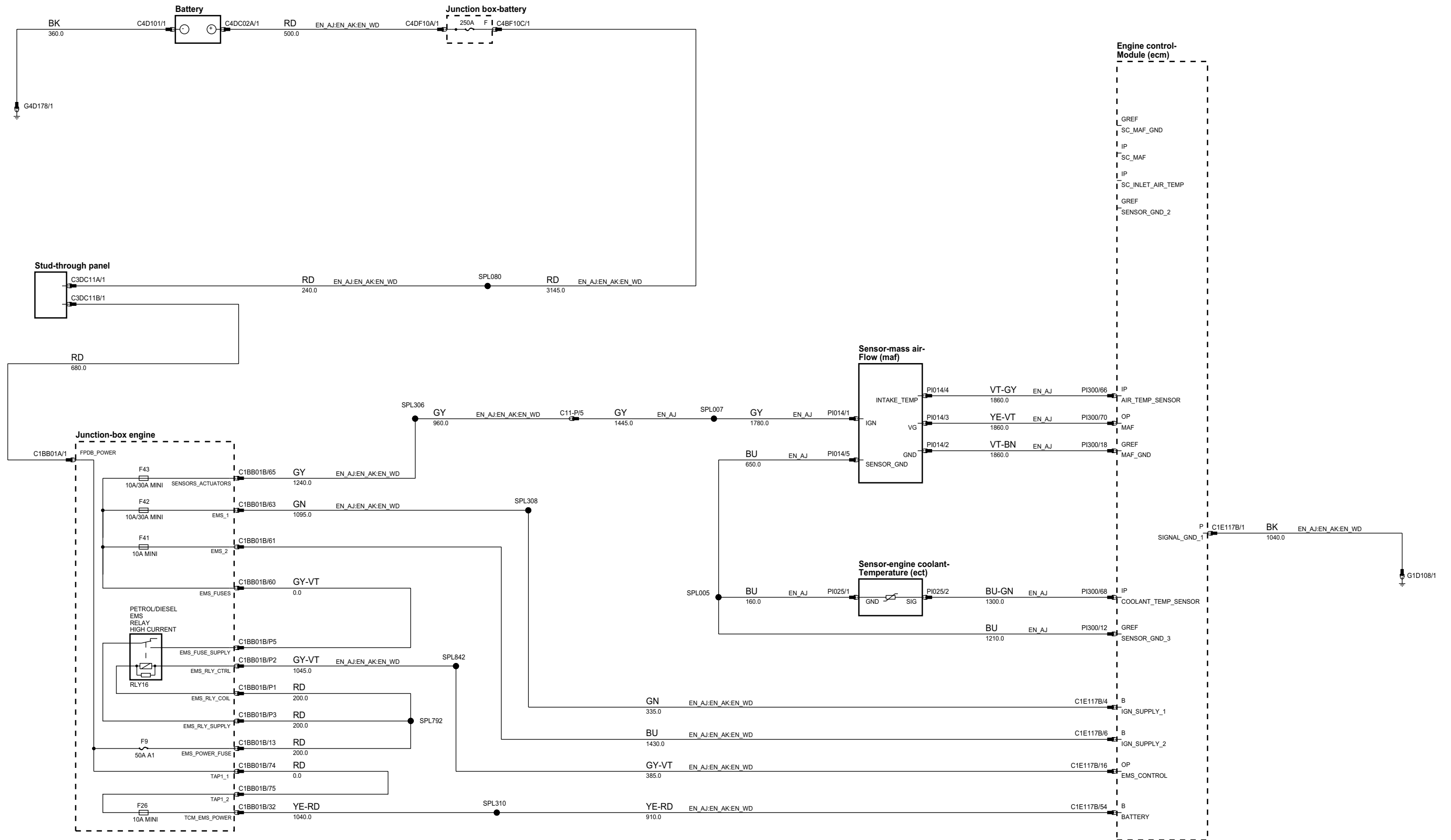
ph863-70030-a-af



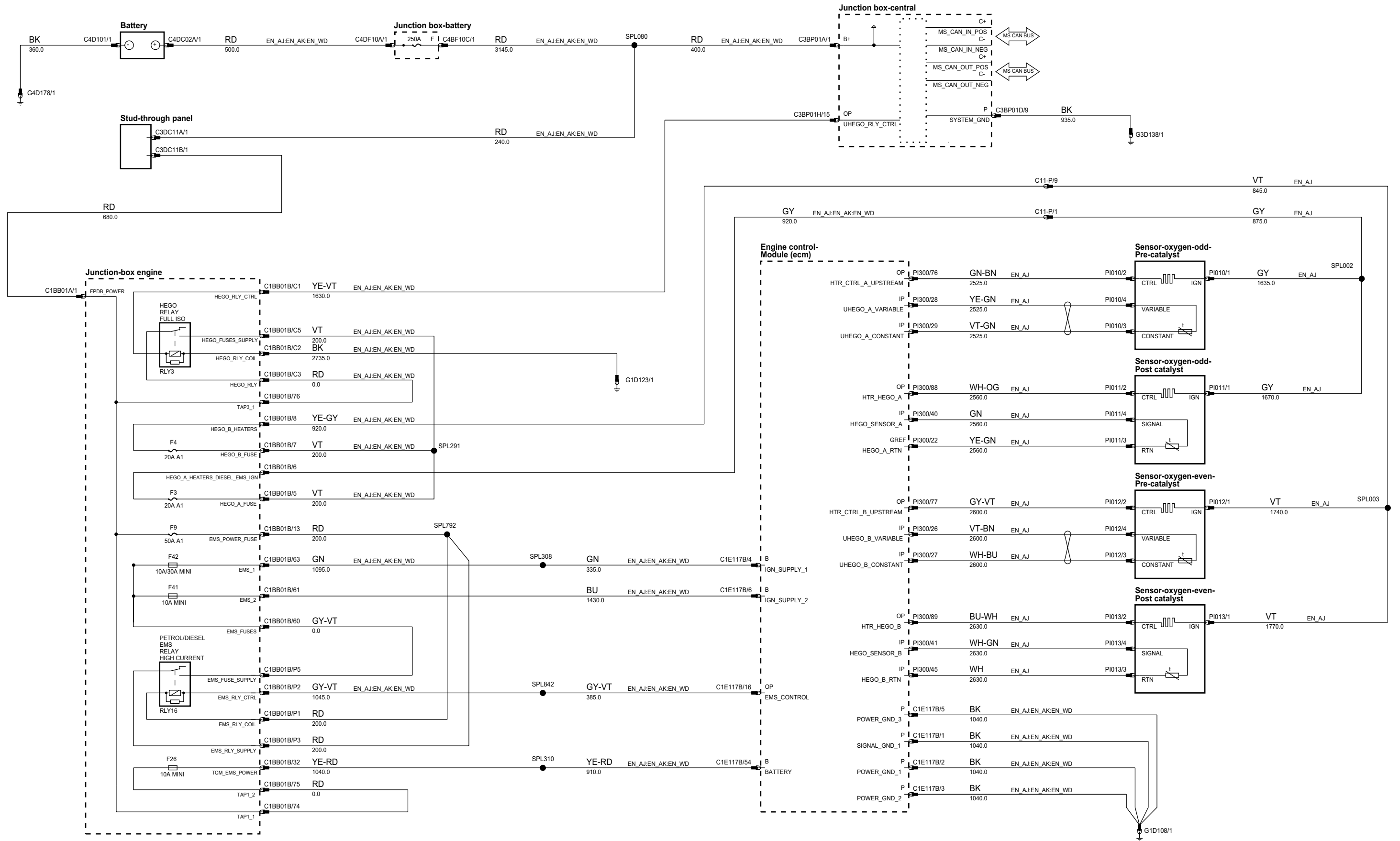
ph8r83-70034-a-af



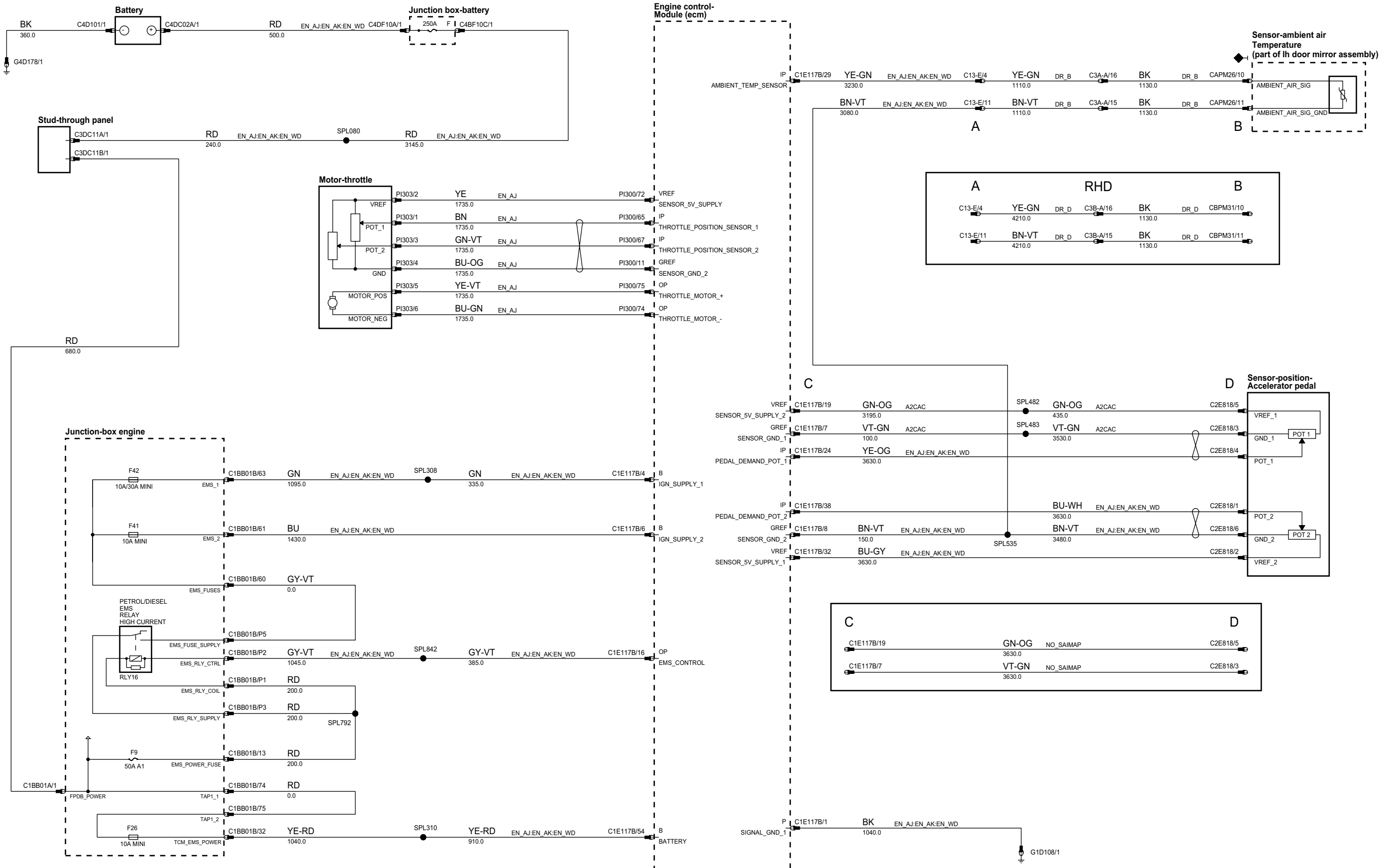
ph8/83-70034-f-af



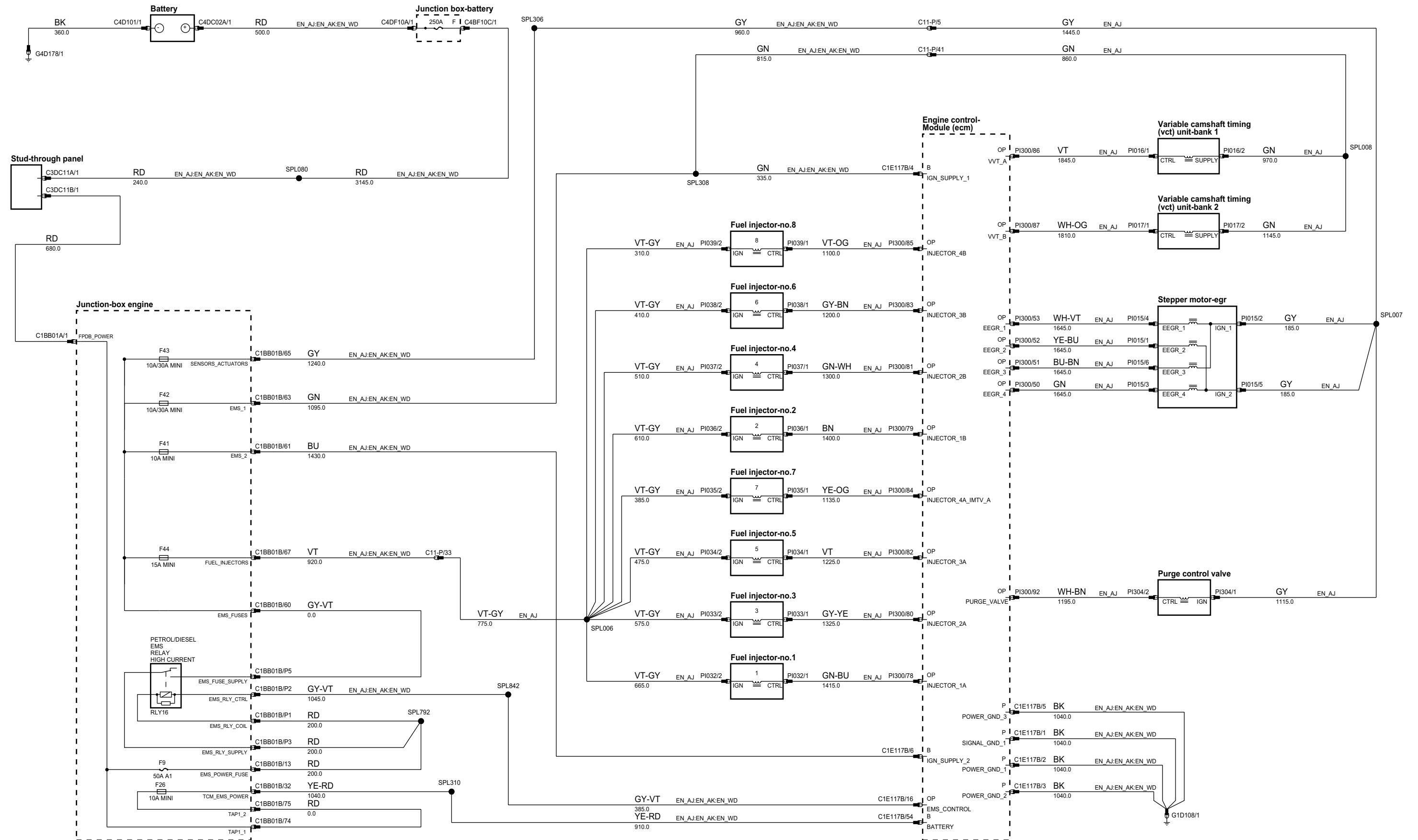
ph8r63-70035-a-af



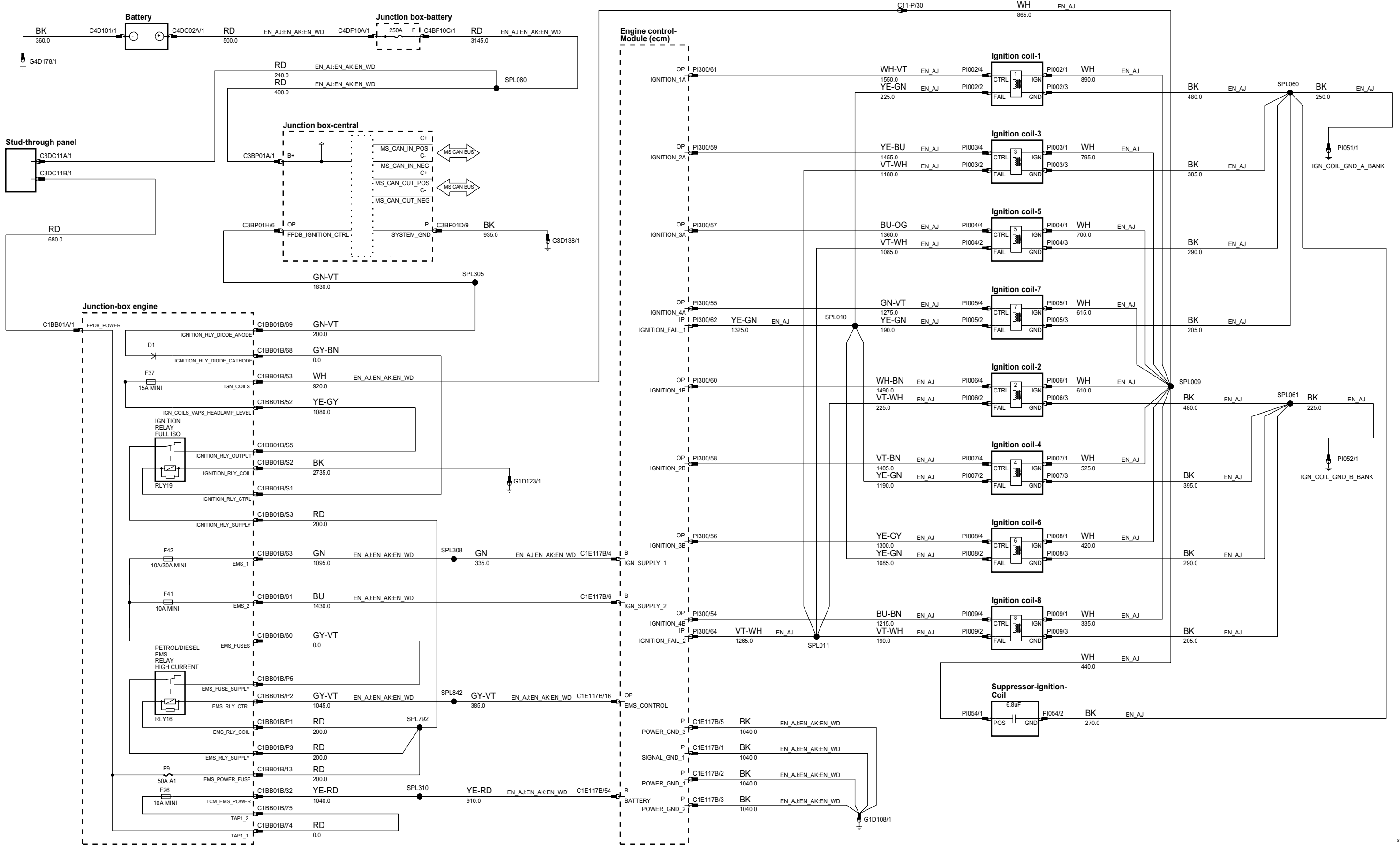
ph8r83-70035-e-af



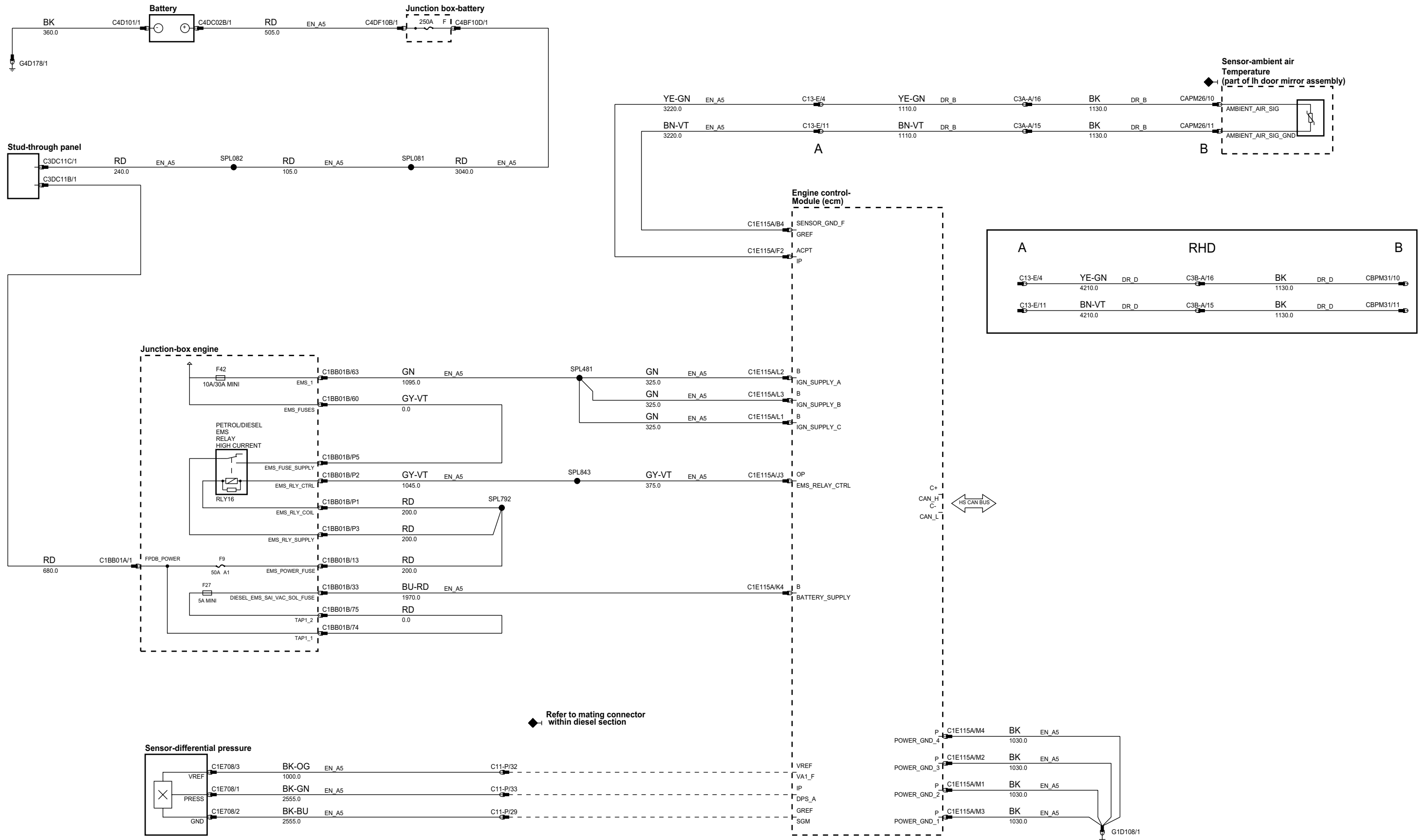
ph8r63-700038-a-af



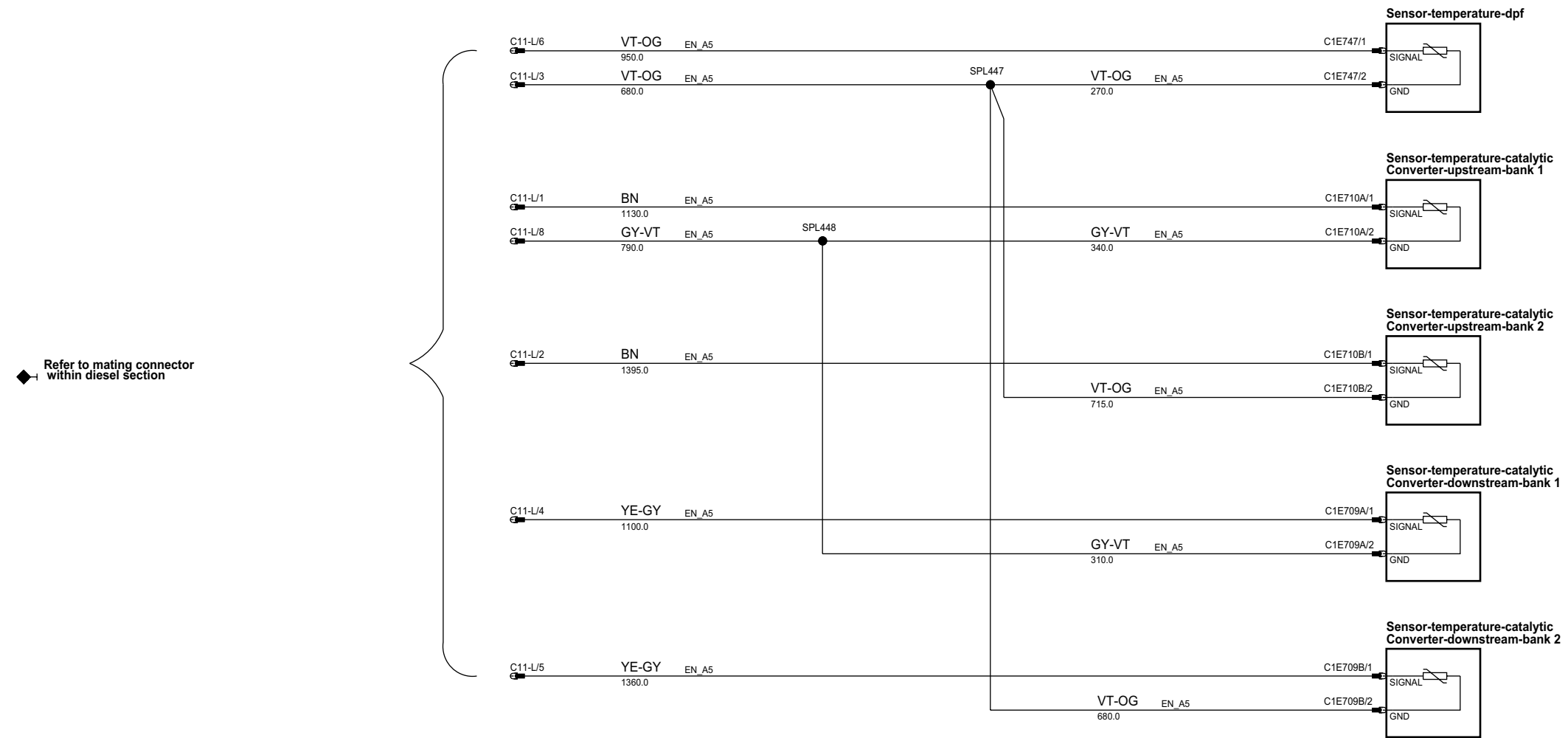
ph863-70038-e-af



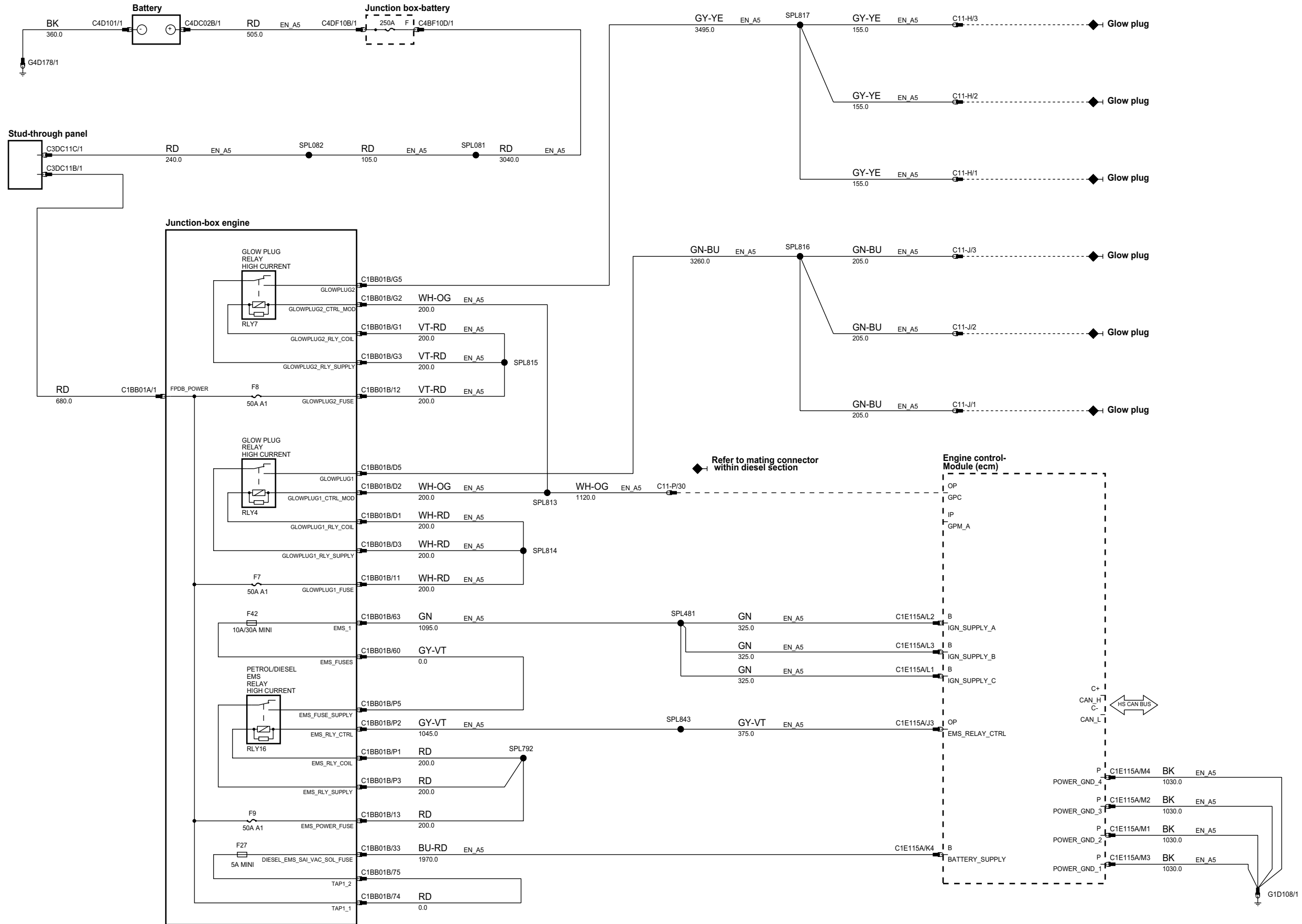
ph83-70034-d-af



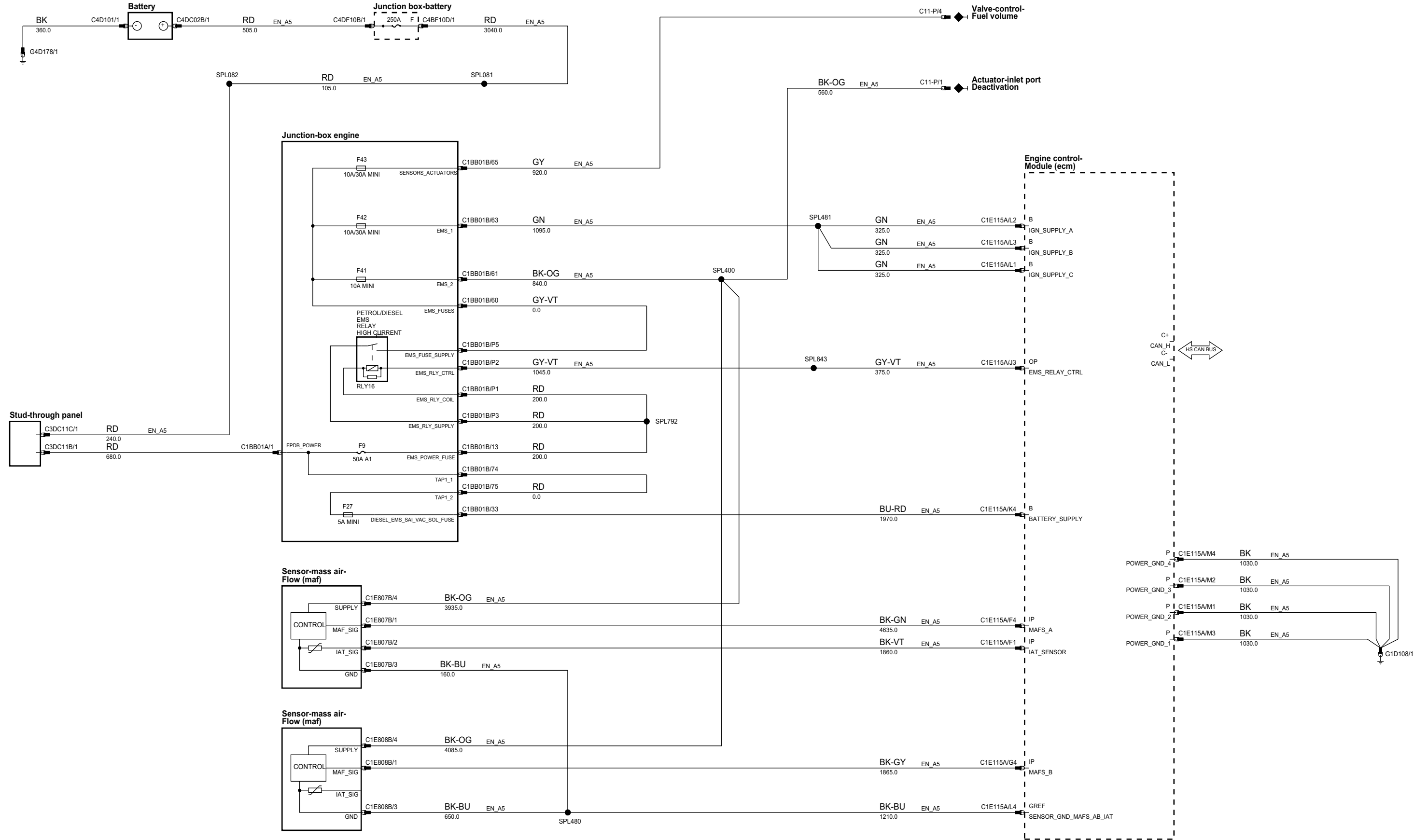
ph8r83-70035-d-af



ph8r83-70037-d-af

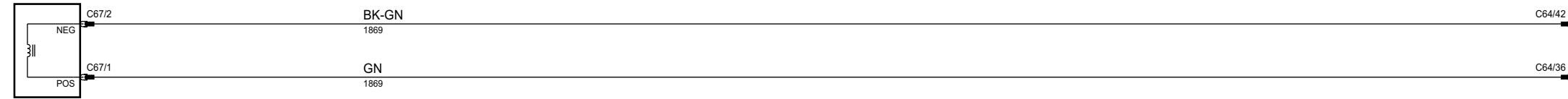


ph8r83-70038-d-af

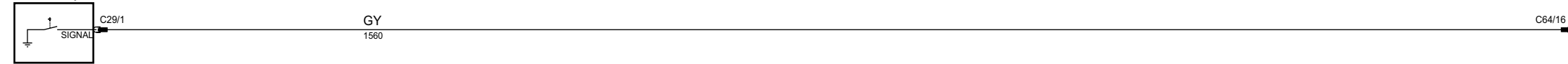


phajl5-70032-a

Refrigerant solenoid Valve



Switch-oil pressure



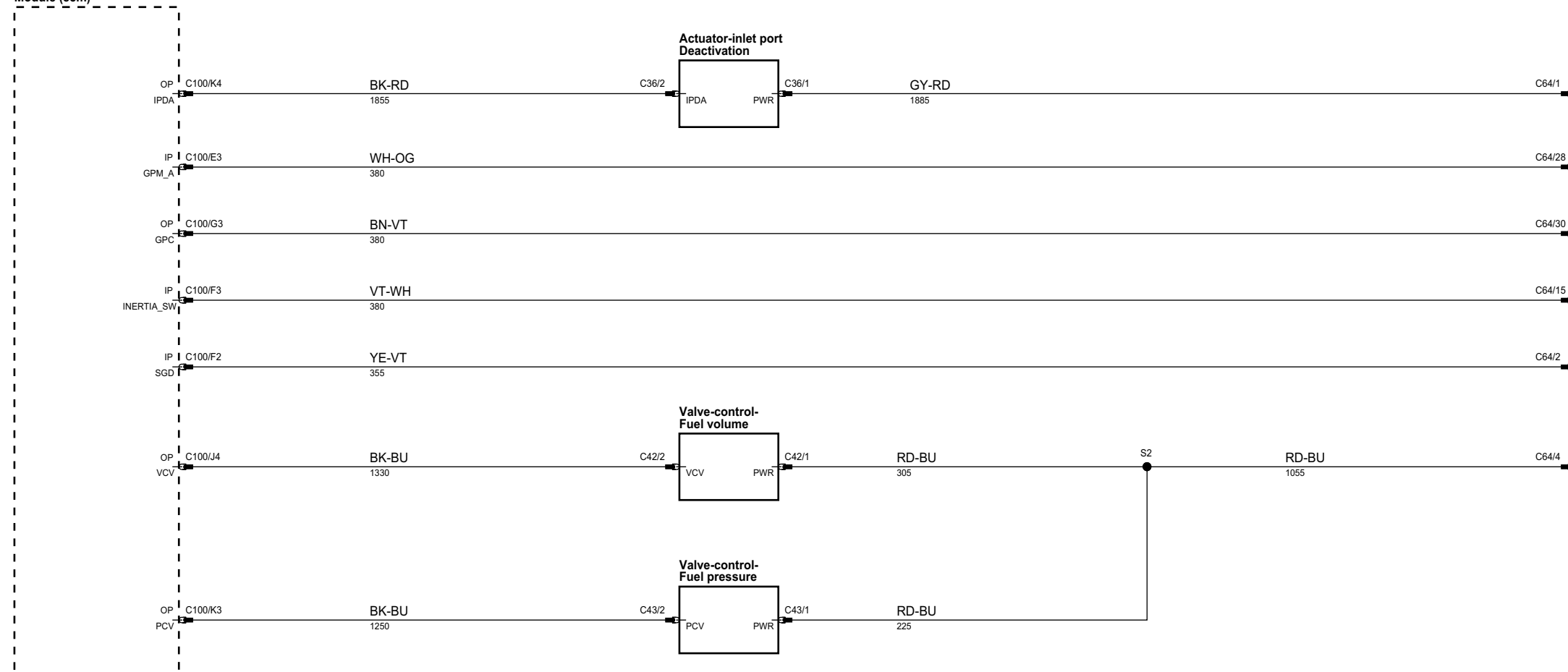
Starter motor



Generator

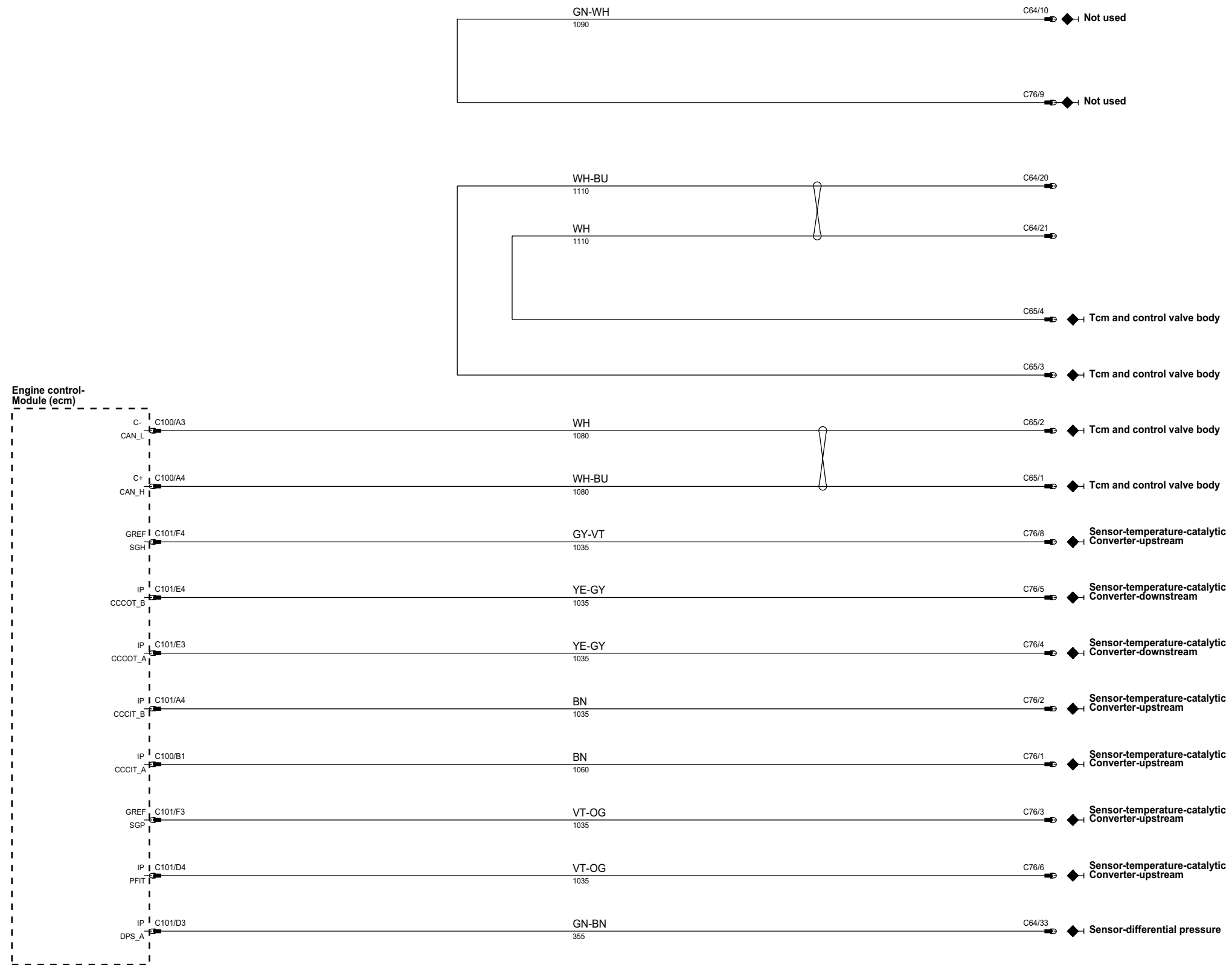


Engine control-Module (ecm)



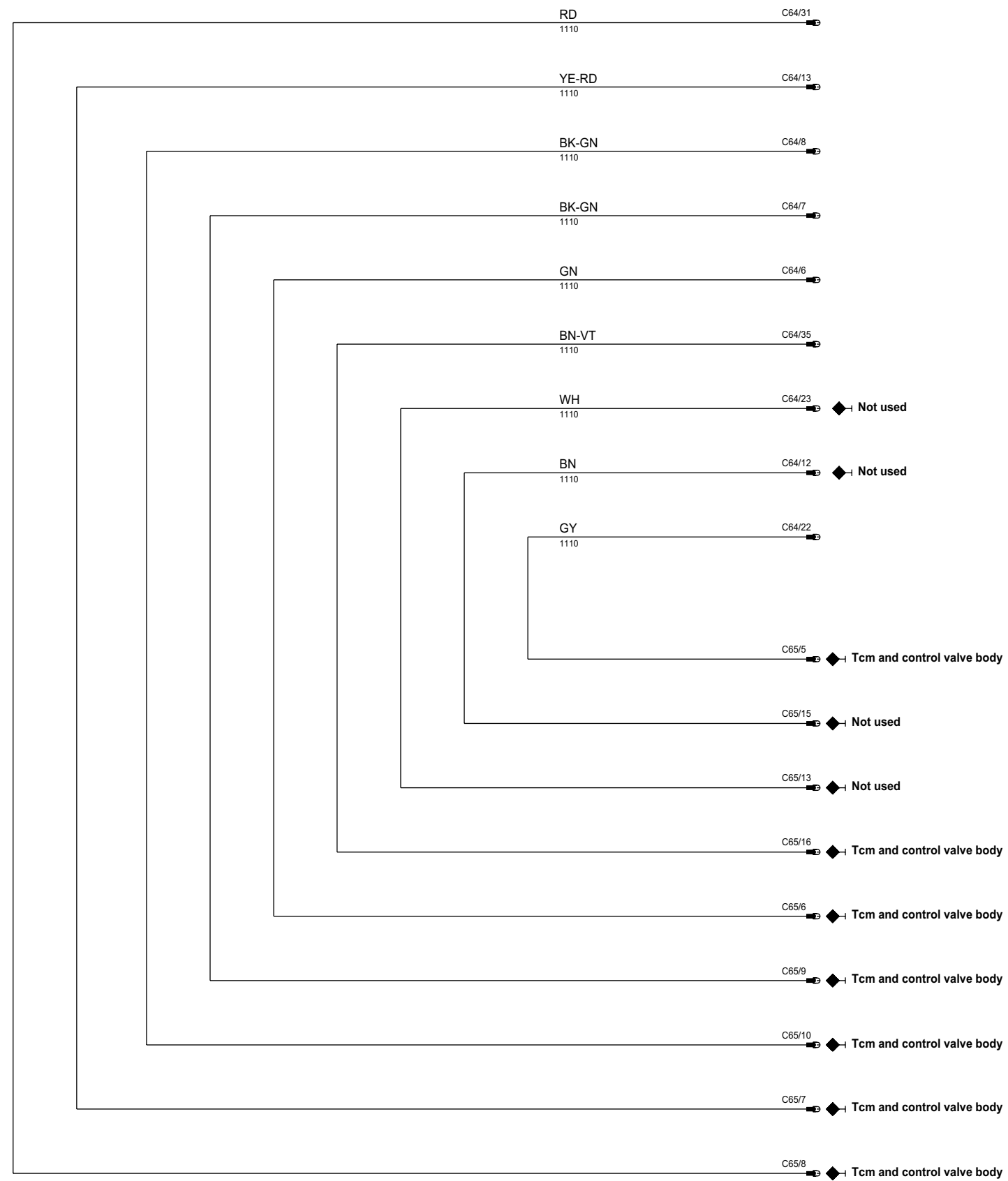
C64	>>>	C11-P
C65	>>>	C11-K
C76	>>>	C11-L

phajtd-70032-b



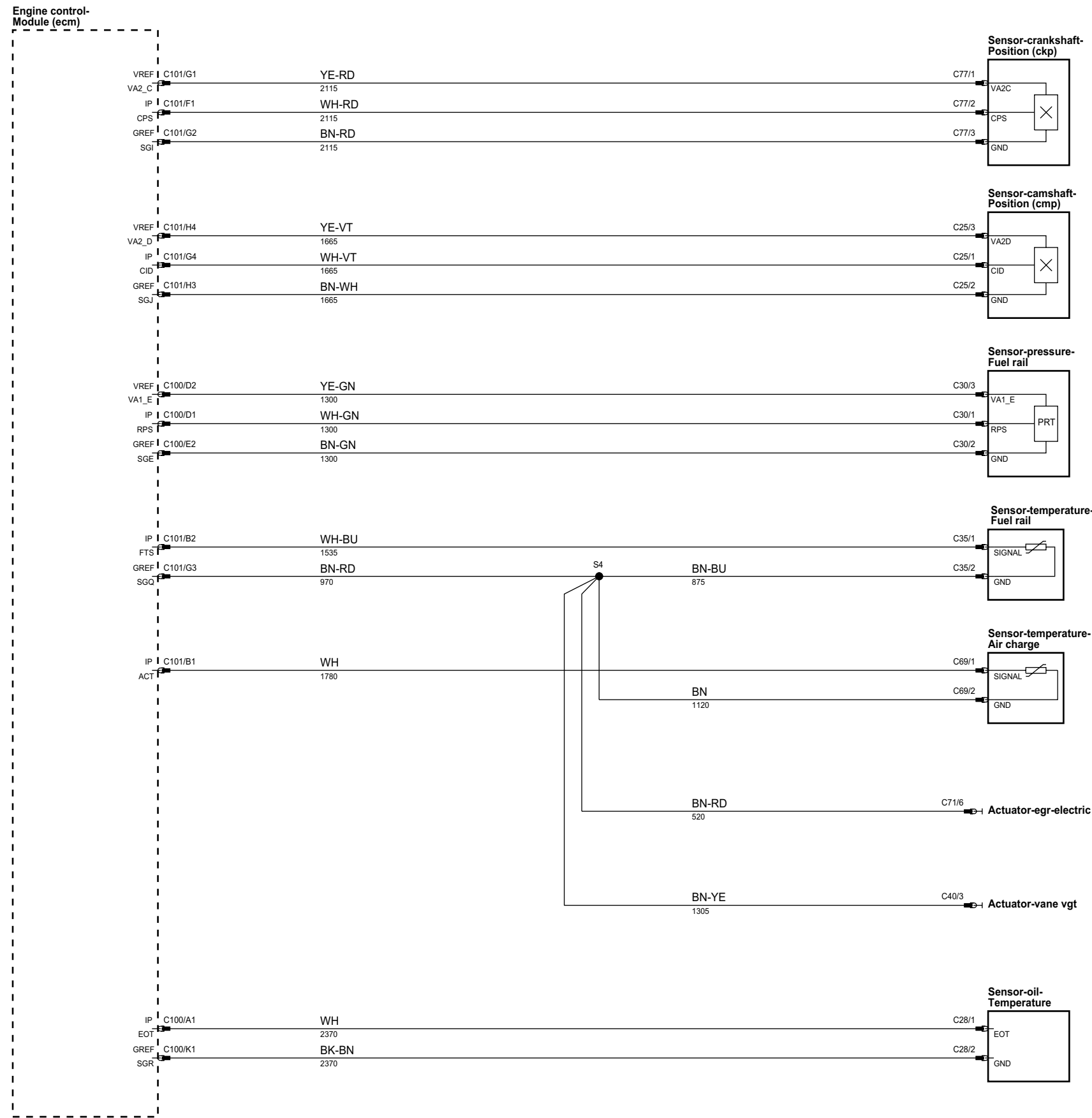
C64	>>>	C11-P
C65	>>>	C11-K
C76	>>>	C11-L

pha04-70032-c



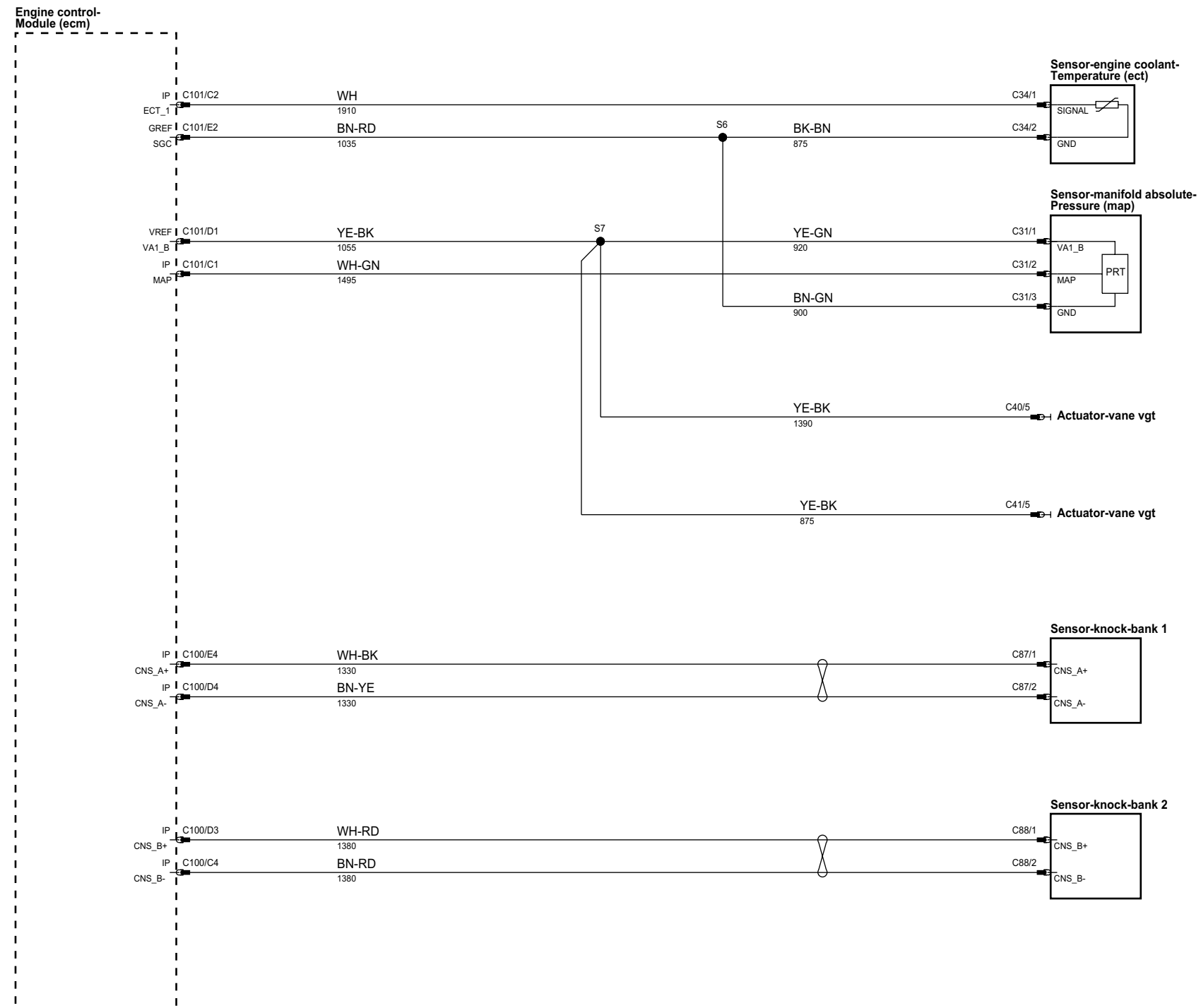
C64	>>>	C11-P
C65	>>>	C11-K
C76	>>>	C11-L

phajd-70034-a



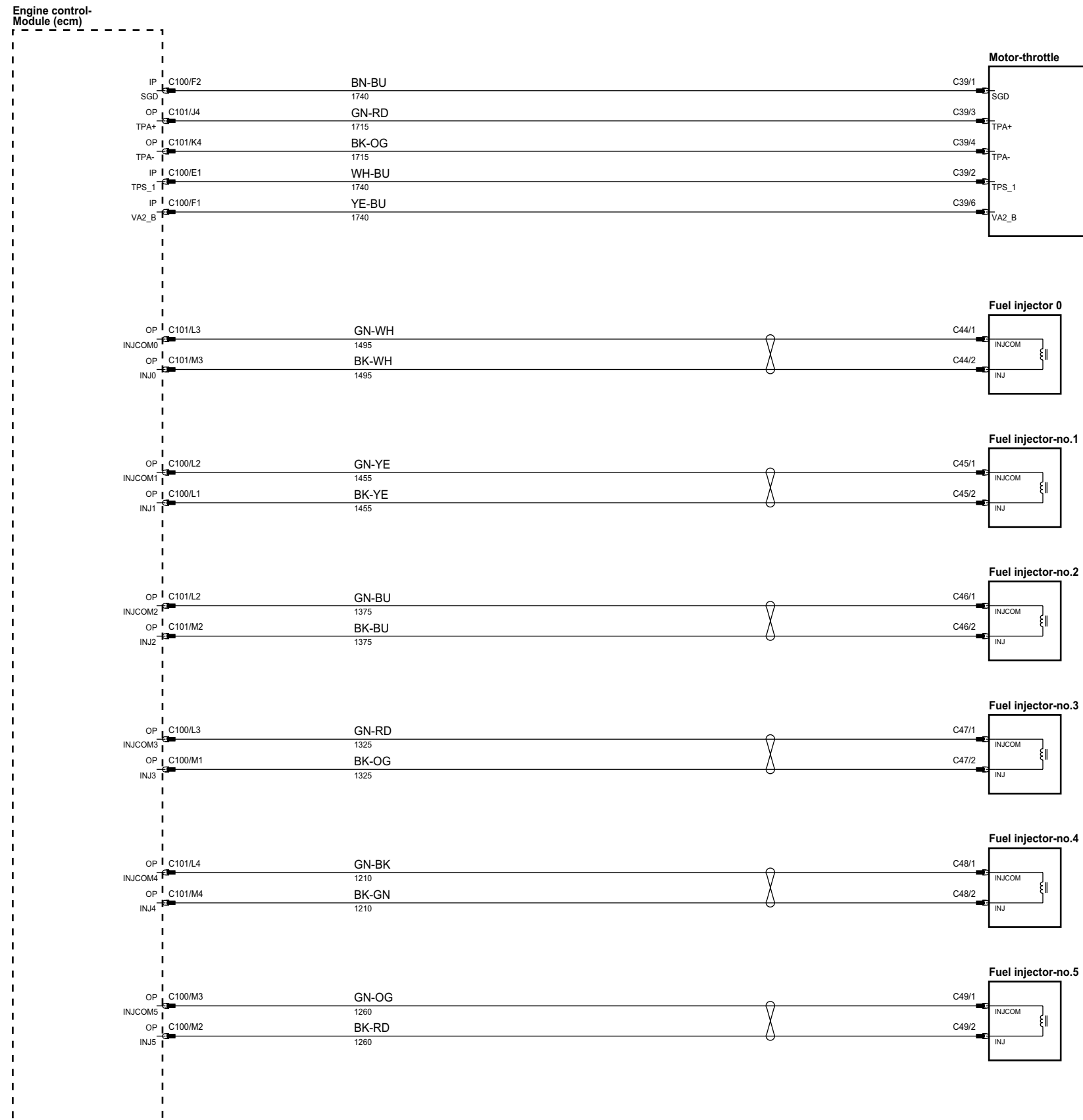
C64	>>>	C11-P
C65	>>>	C11-K
C76	>>>	C11-L

phajd-70034-b



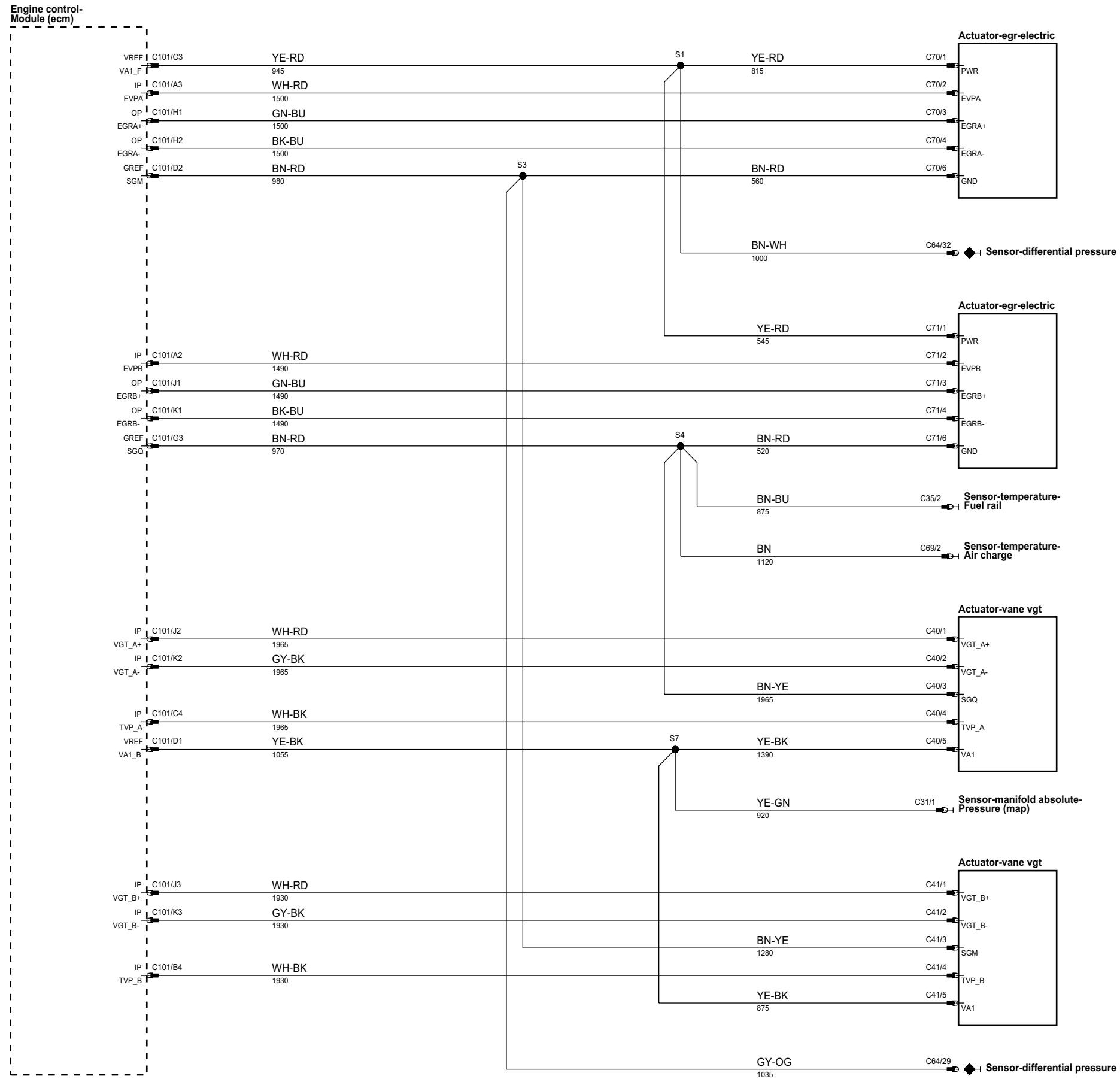
C64	>>>	C11-P
C65	>>>	C11-K
C76	>>>	C11-L

phajd-70038-a



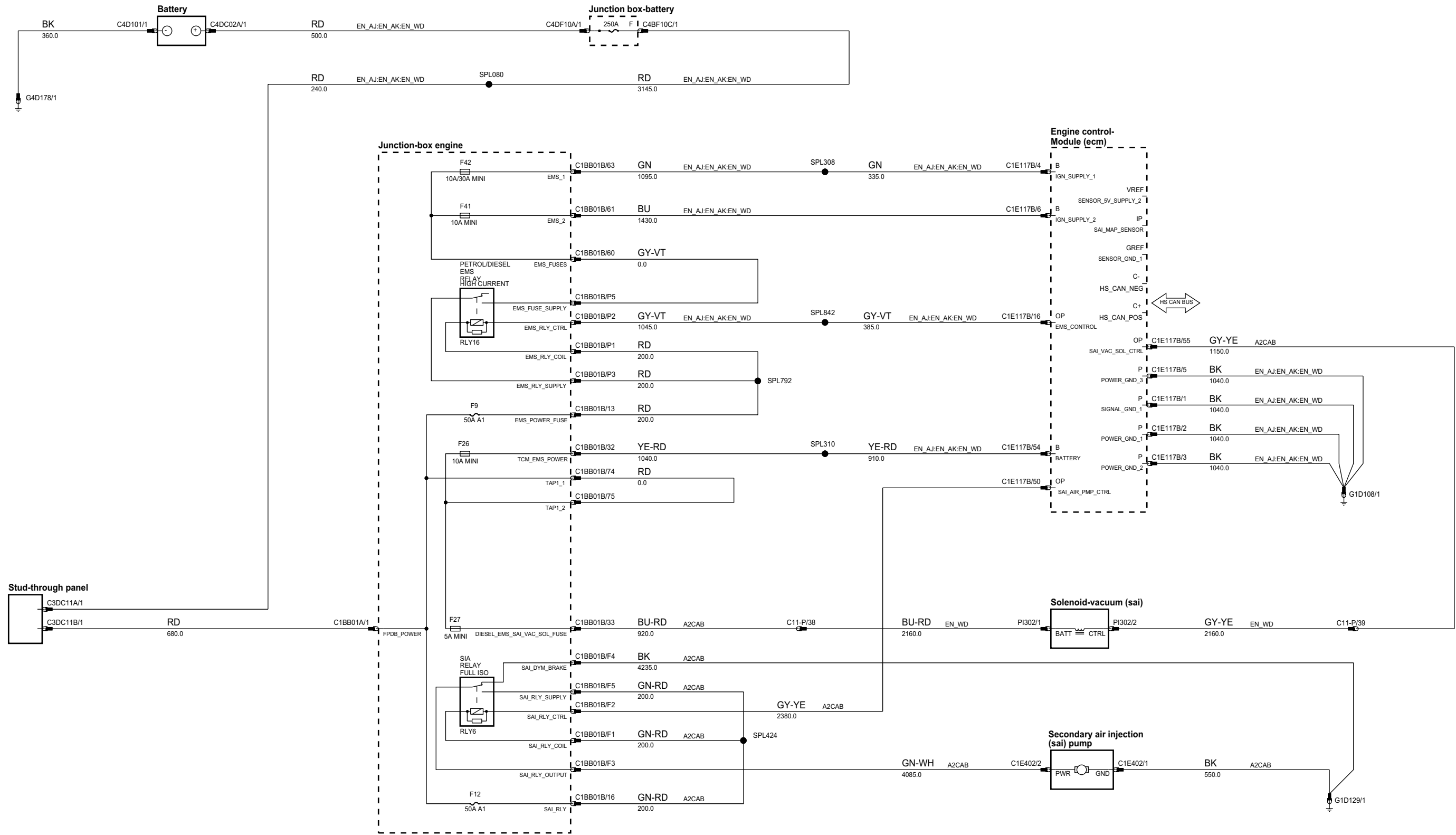
C64	>>>	C11-P
C65	>>>	C11-K
C76	>>>	C11-L

phajd-70038-b

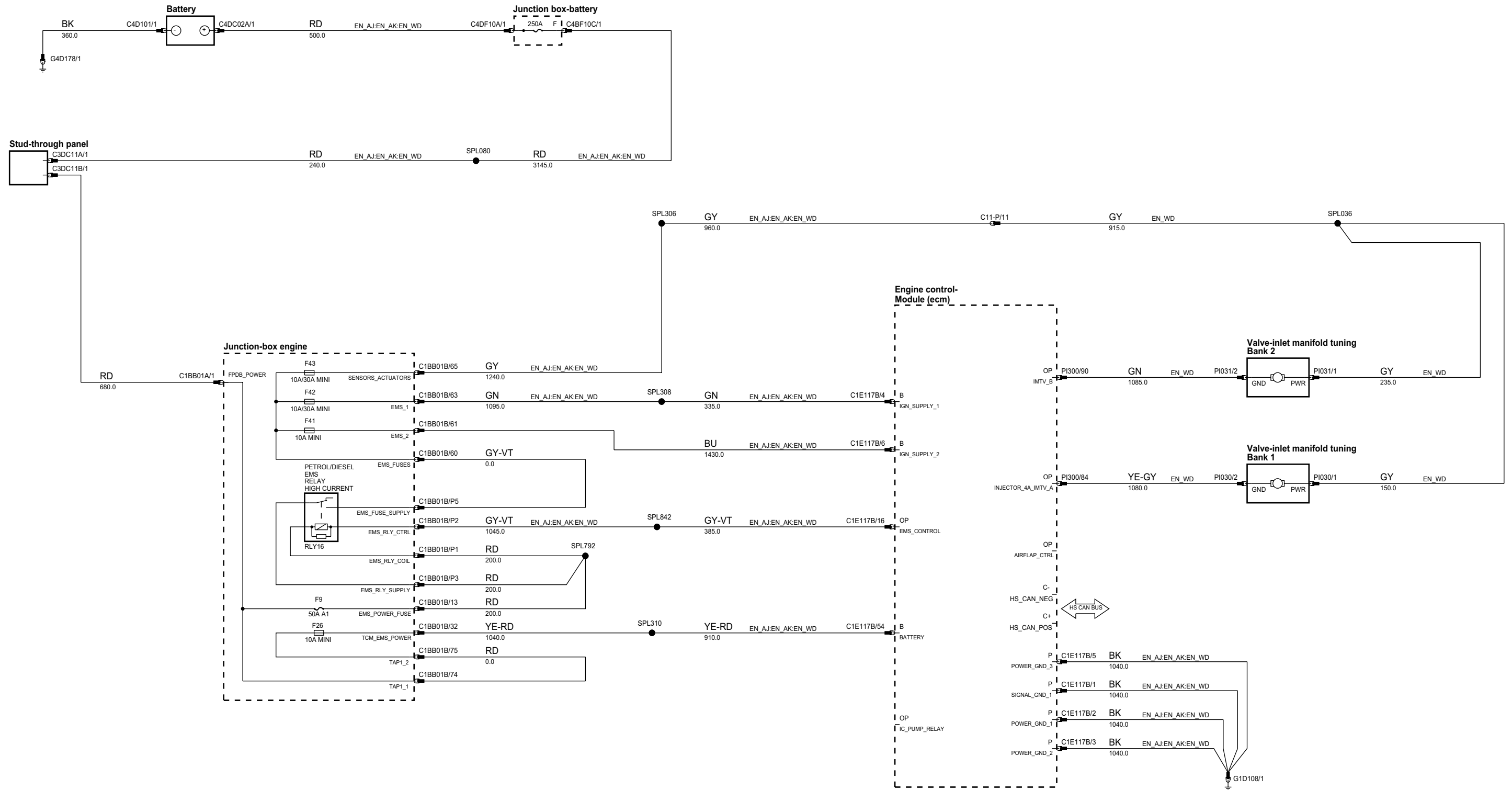


C64	>>>	C11-P
C65	>>>	C11-K
C76	>>>	C11-L

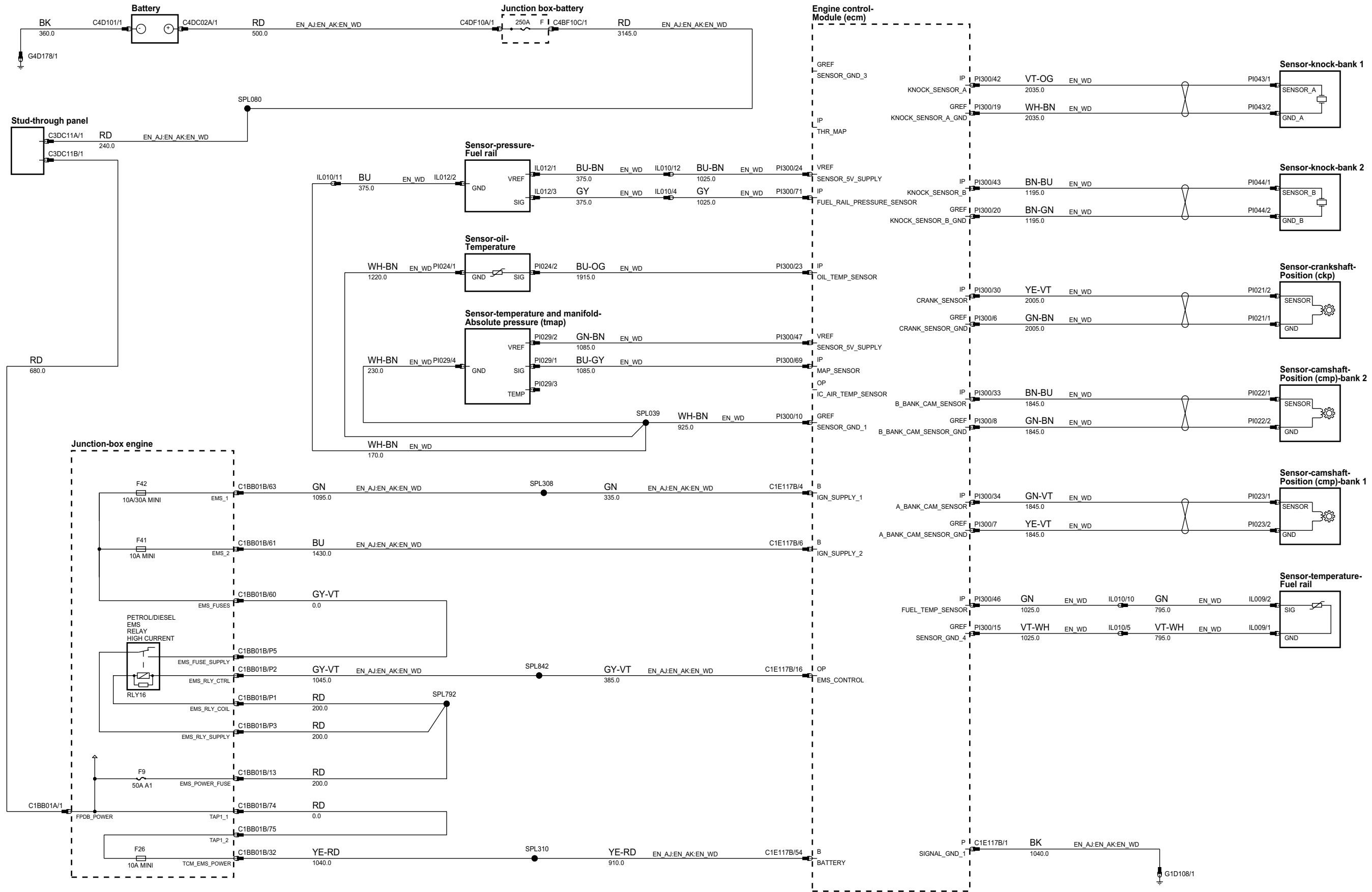
ph83-70030-c-af



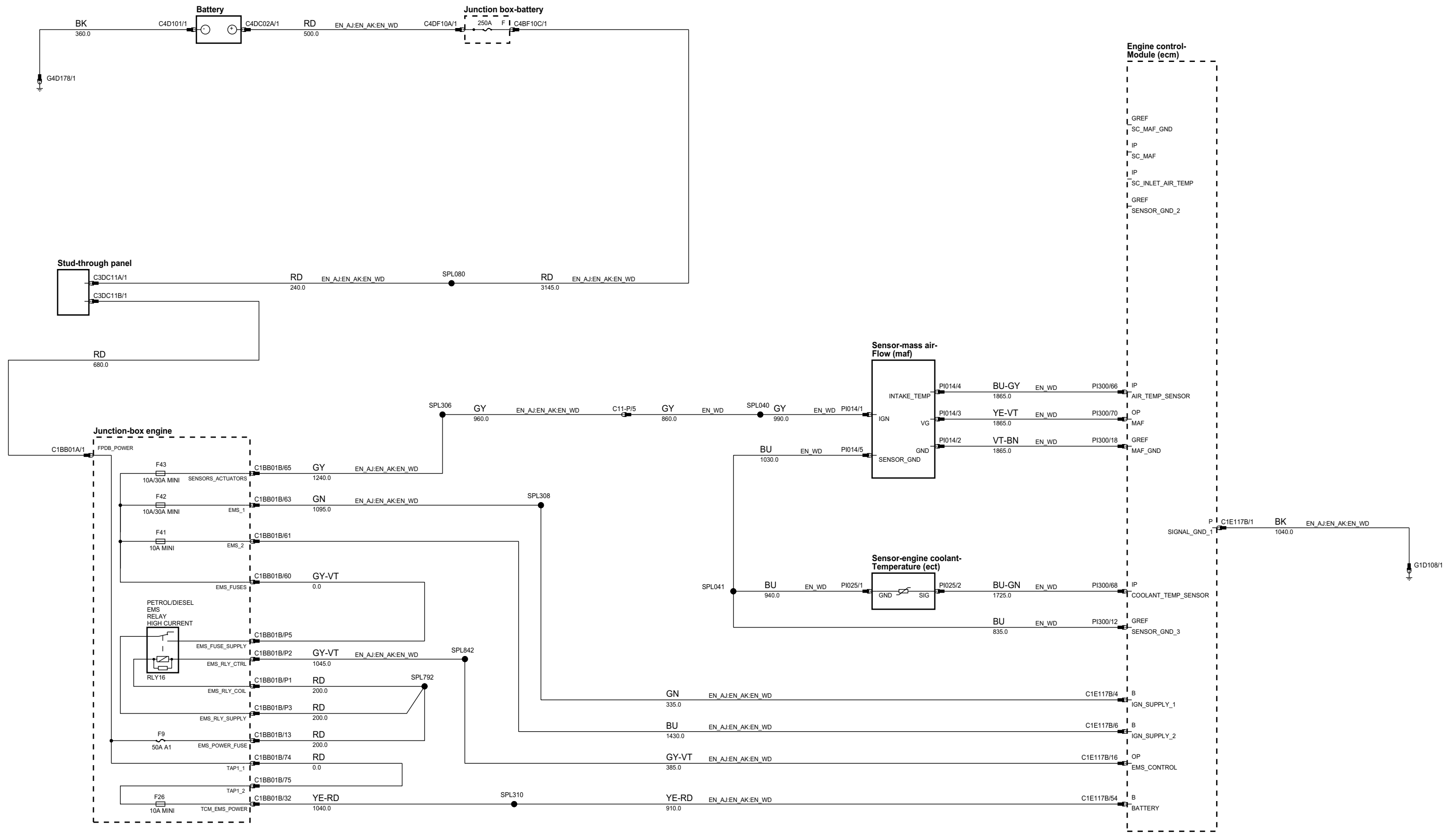
ph83-700031-c-af



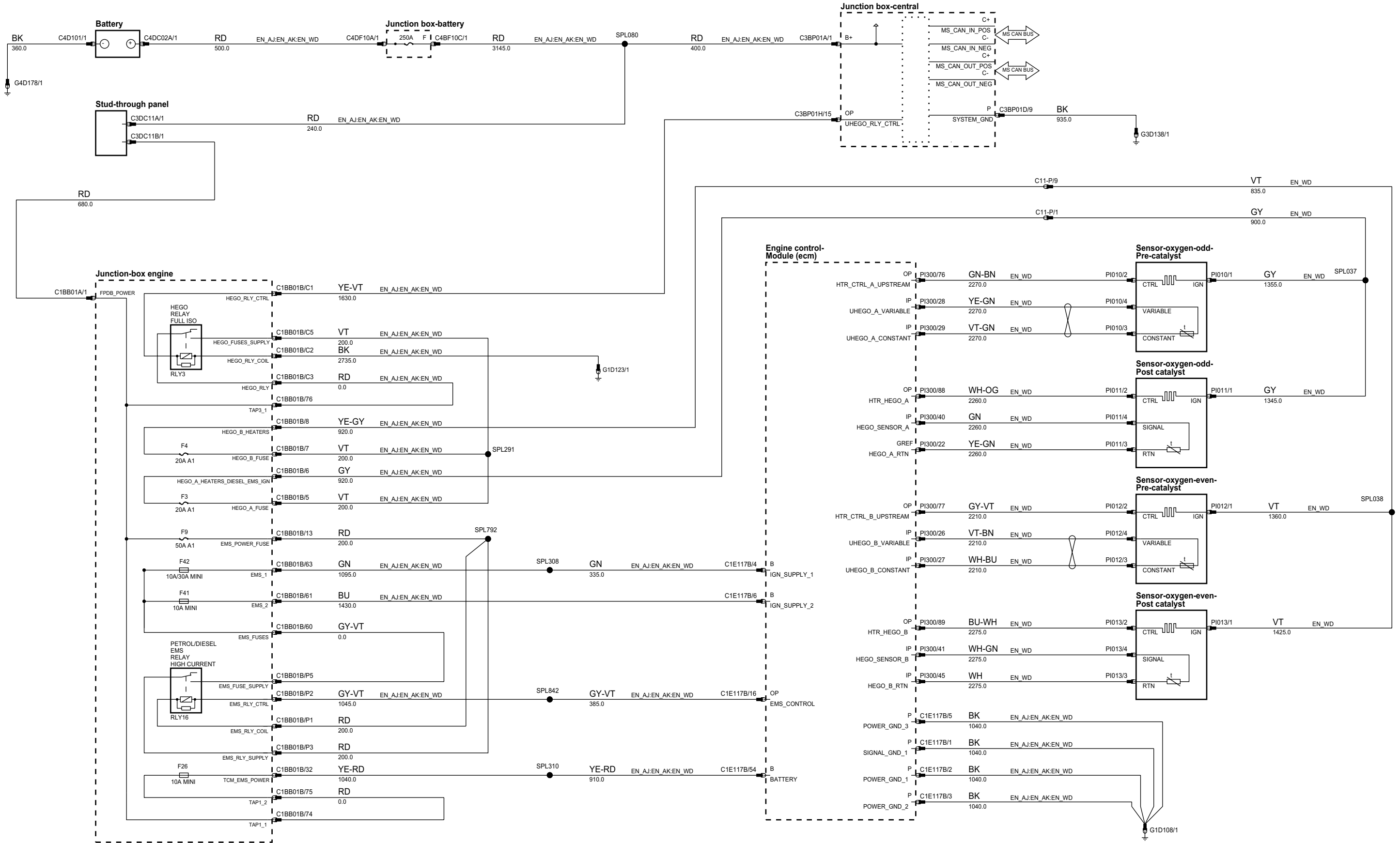
ph8/83-70034-c-af



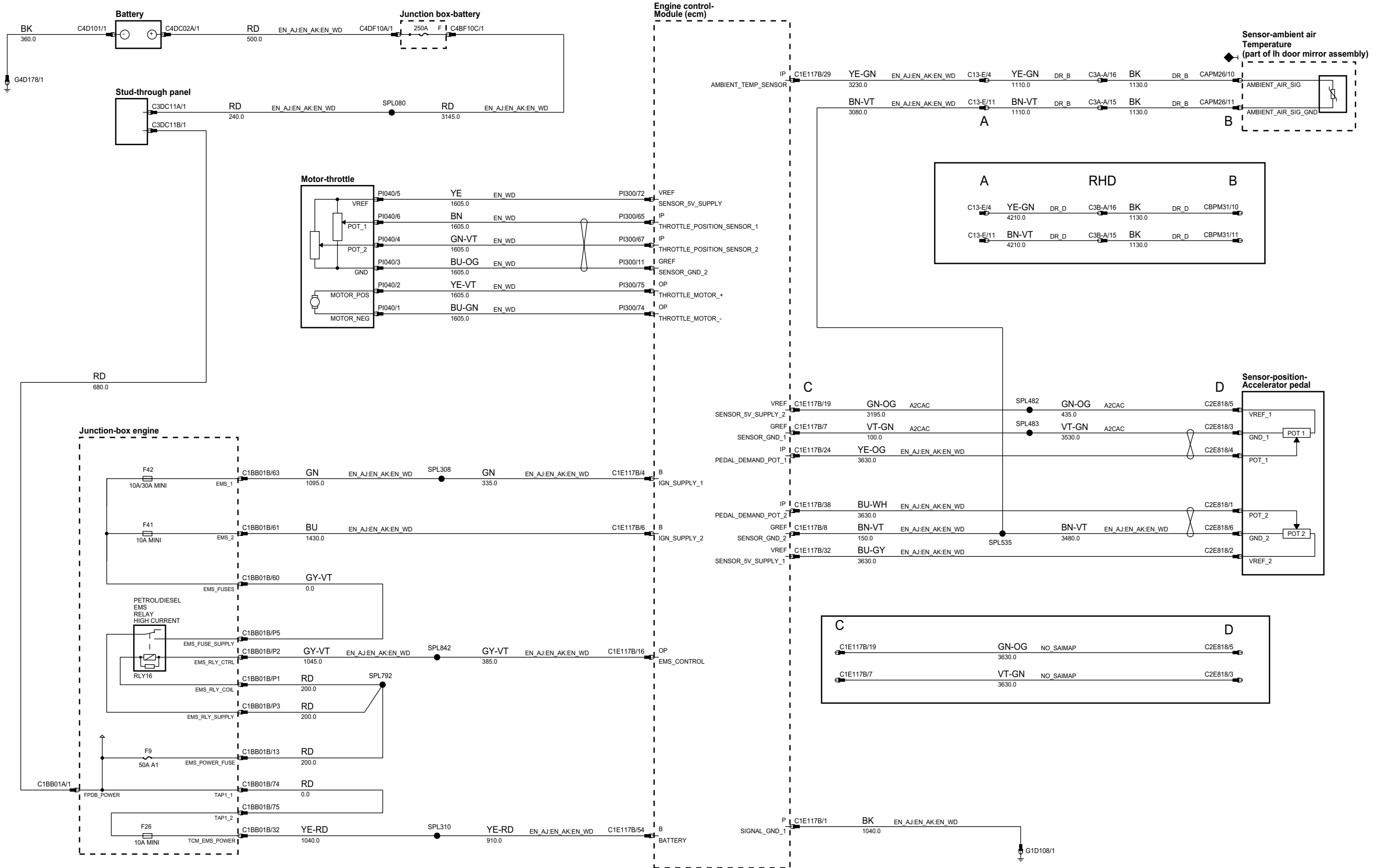
ph8r83-70034-g-af



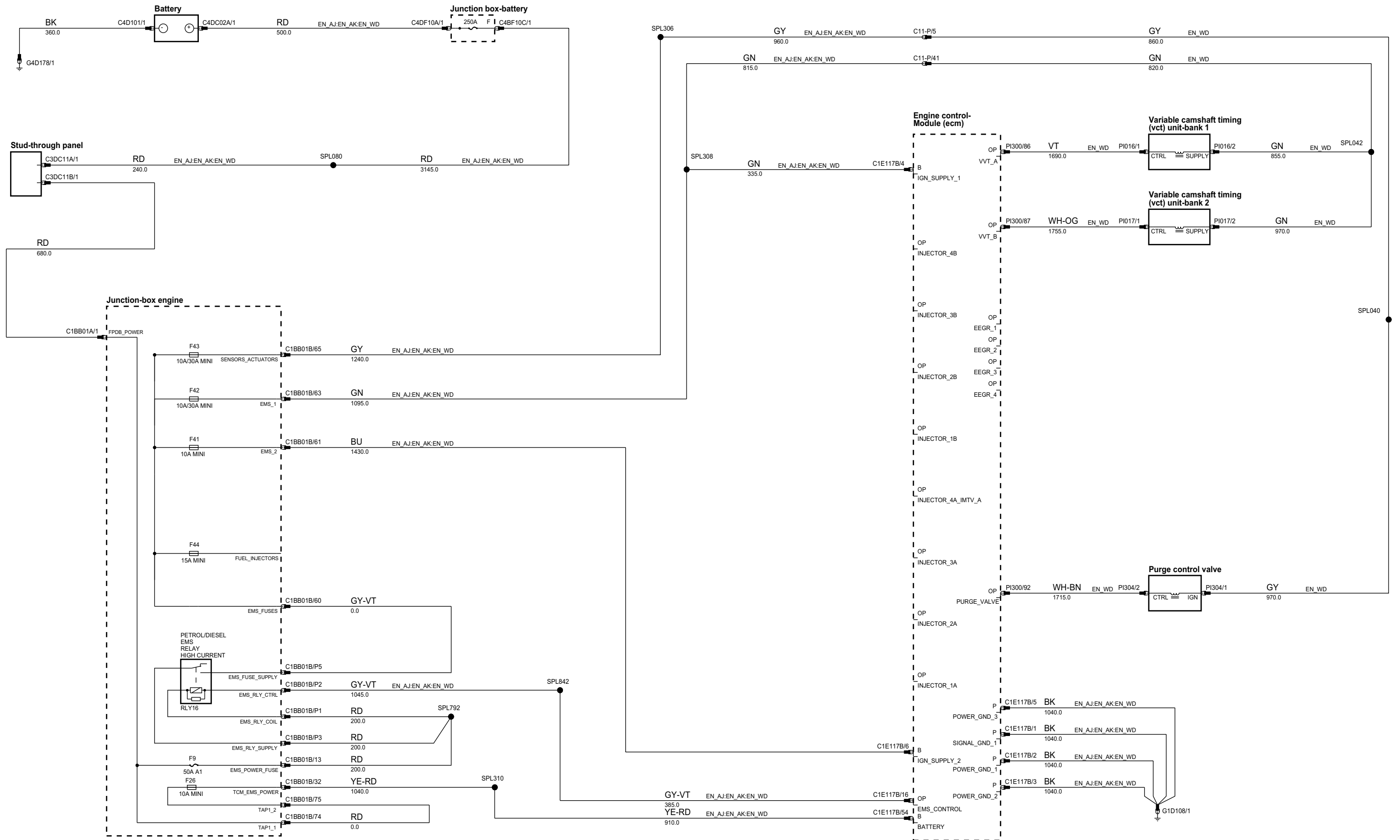
ph8/83-70035-c-af



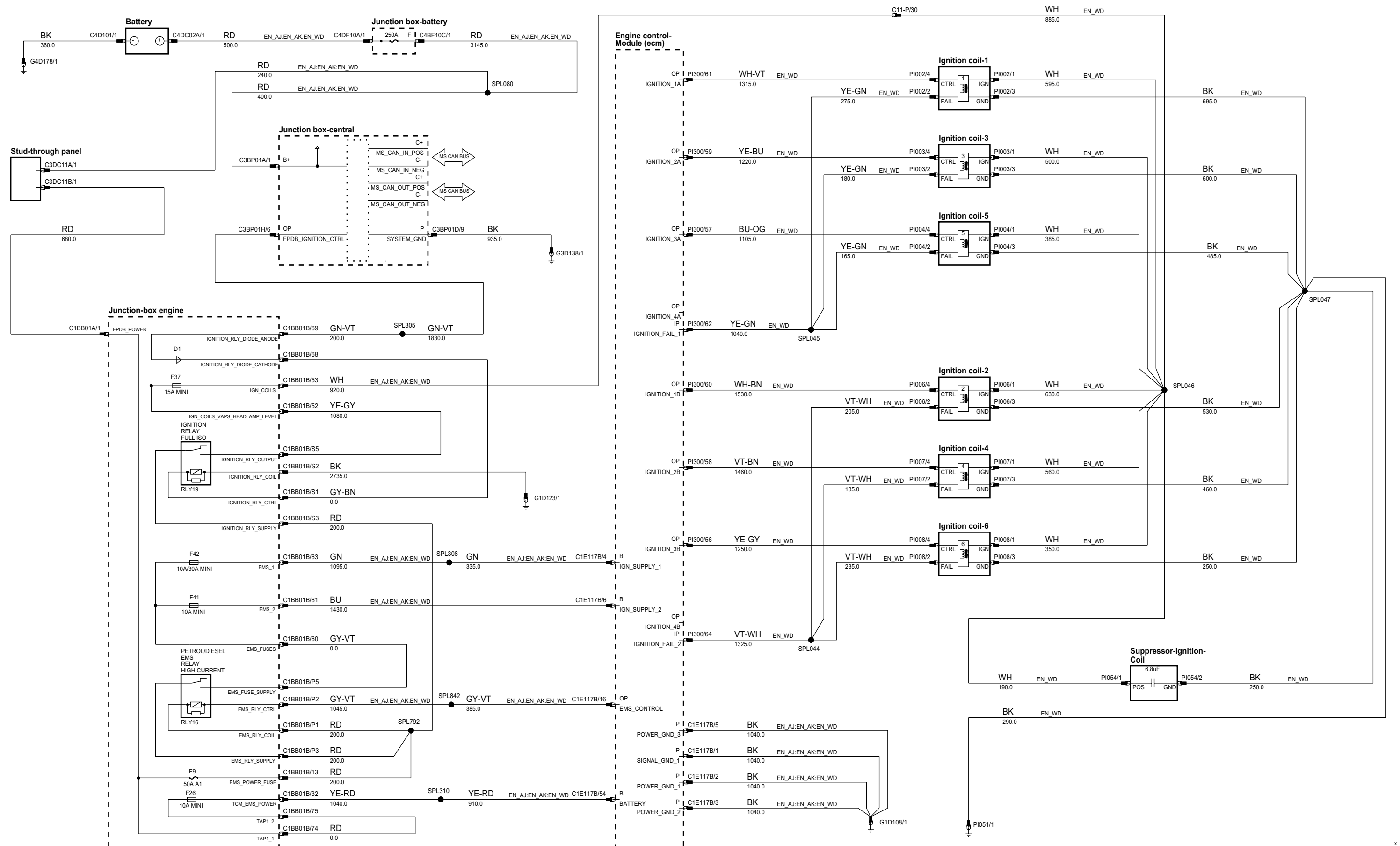
ph863-70035-g-af



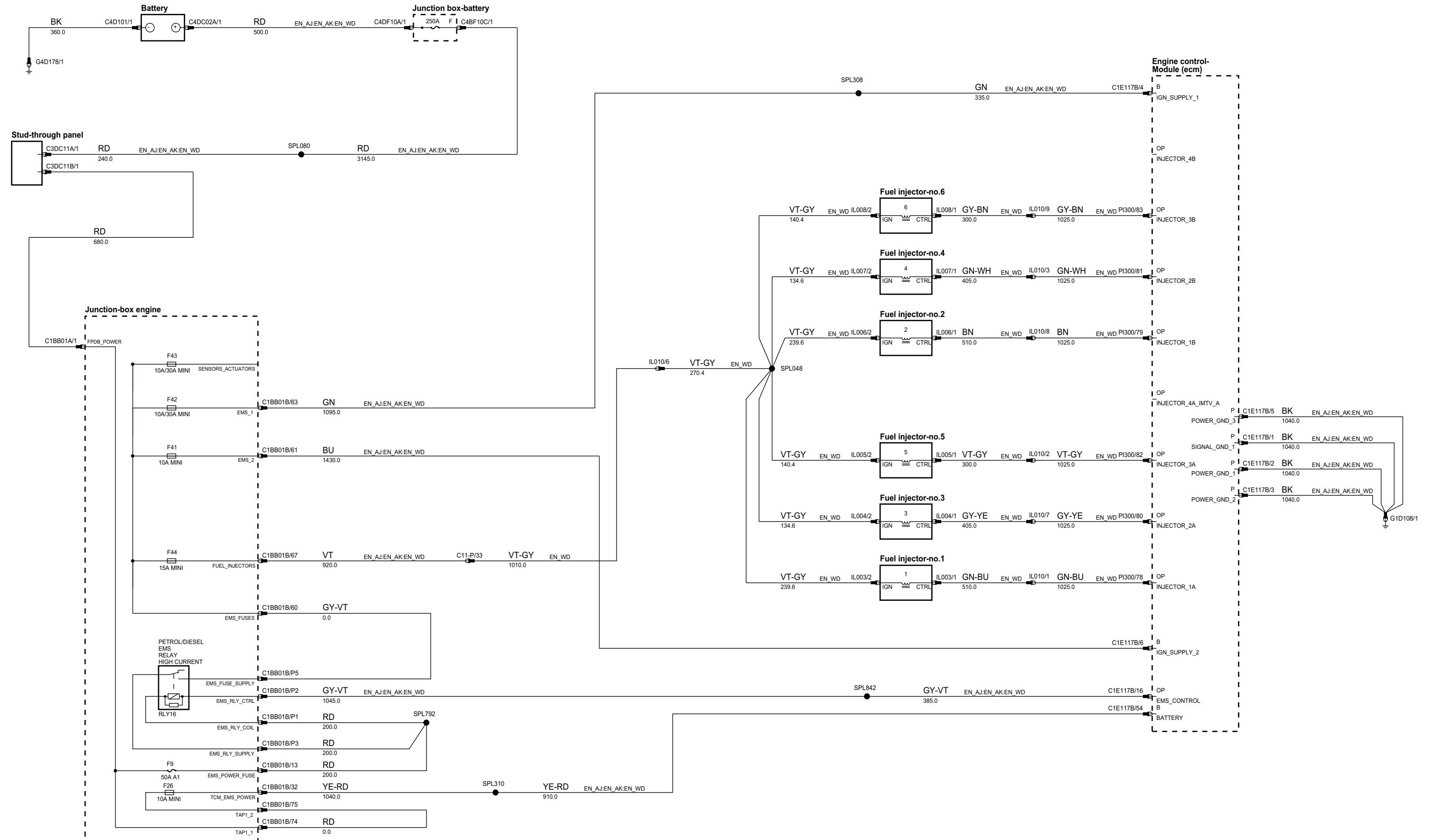
ph8/83-70038-c-af



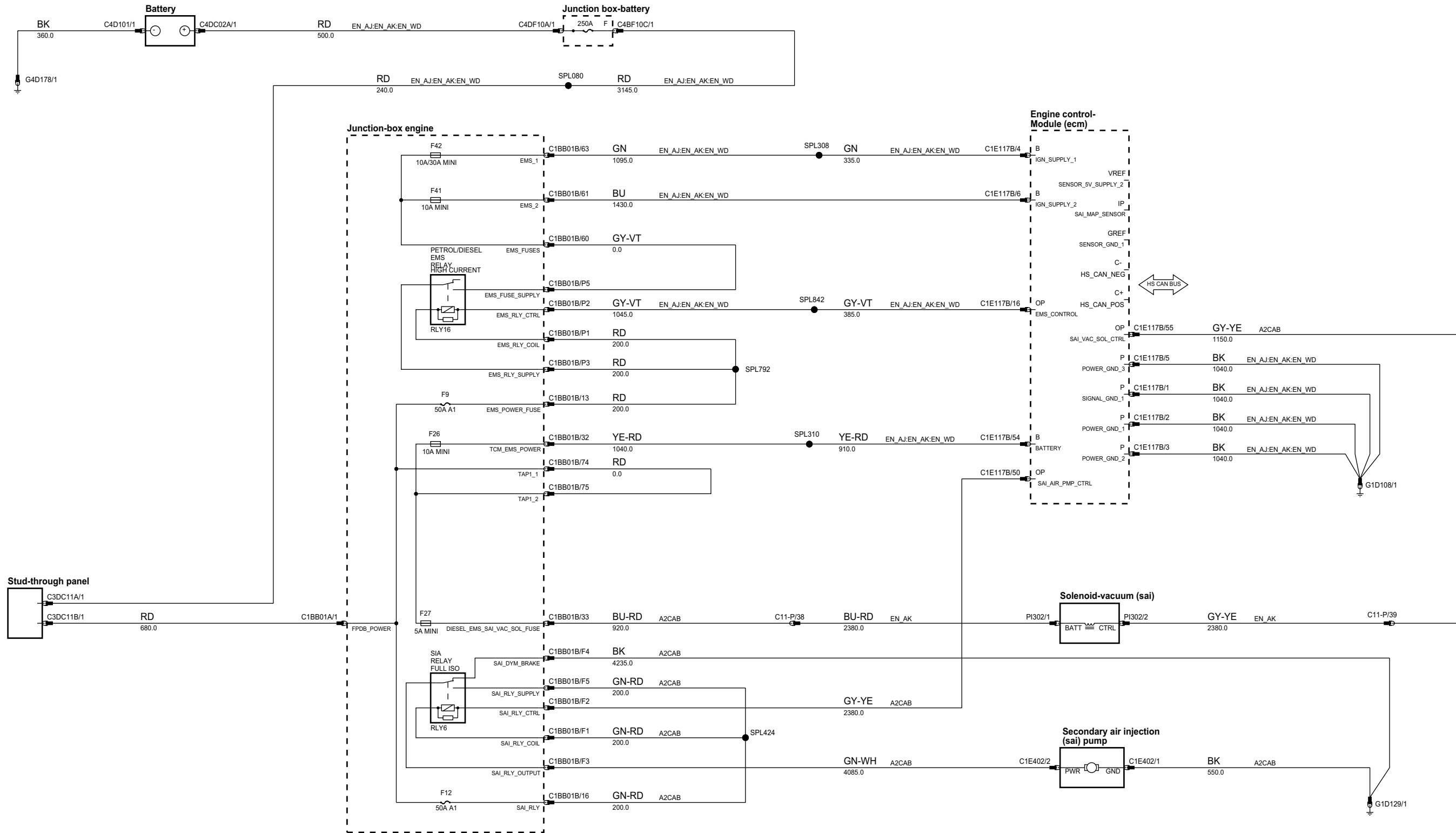
ph8r83-70038-h-af



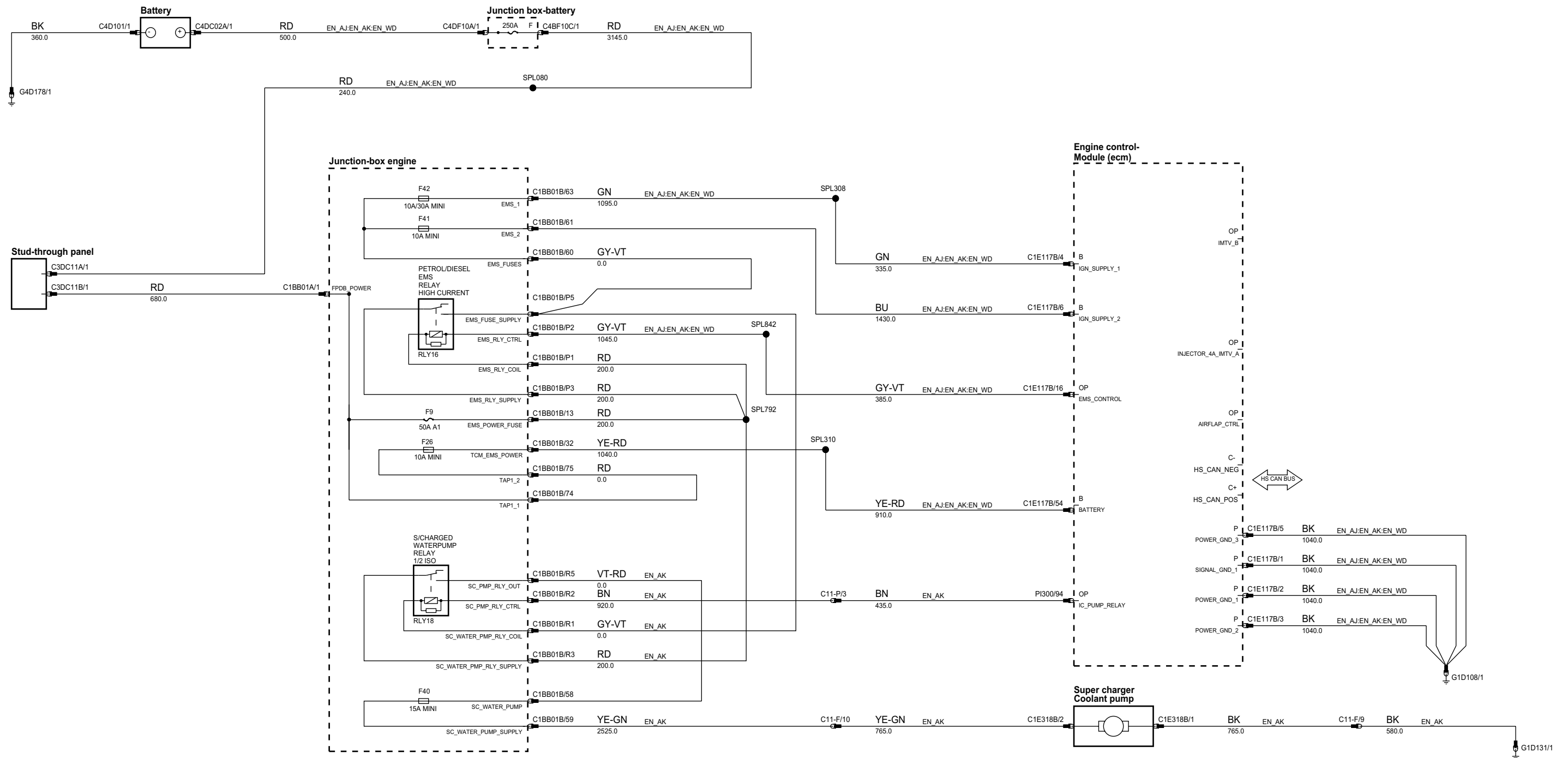
ph8r83-70038+af



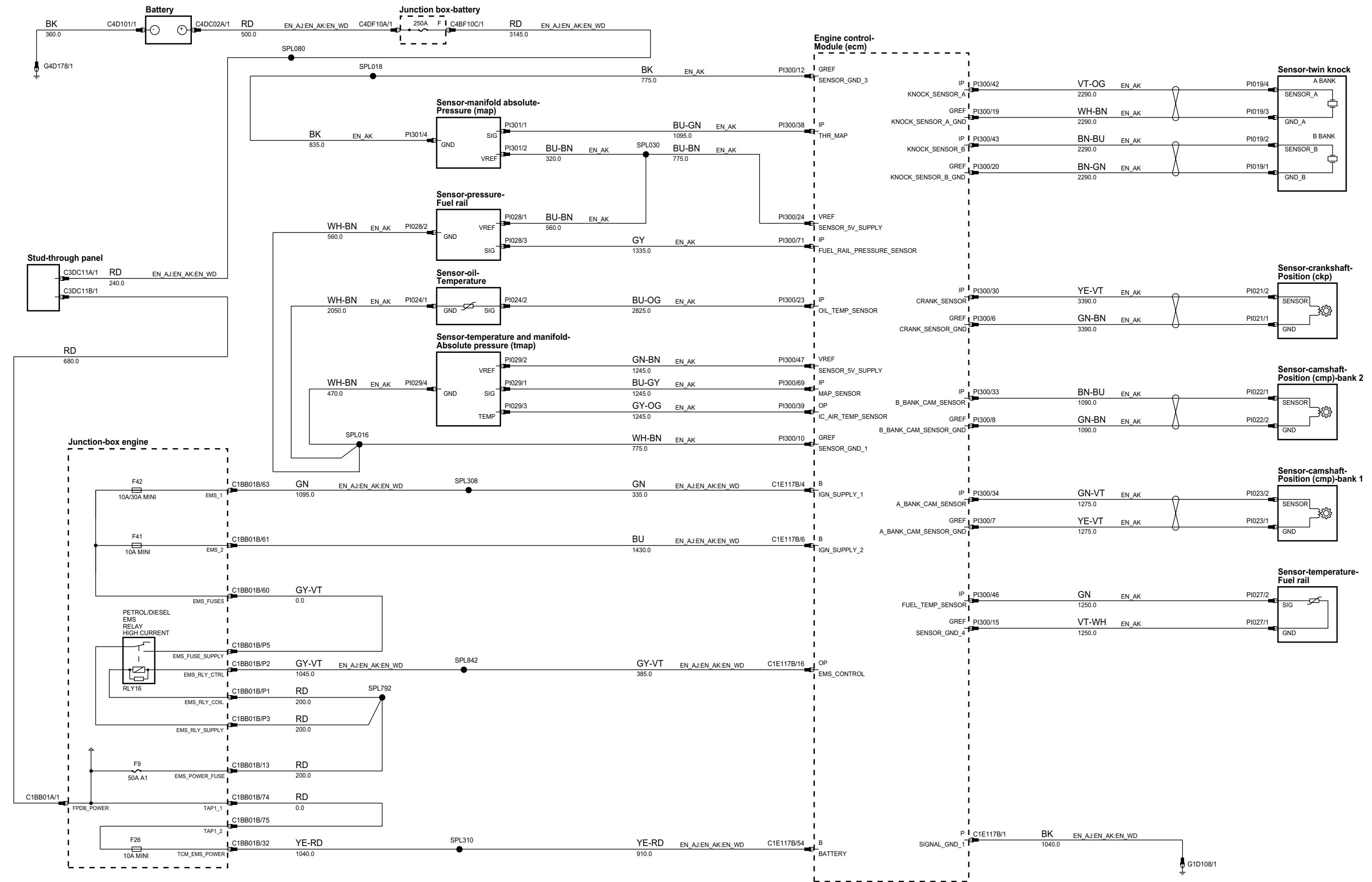
ph883-70030-b-af



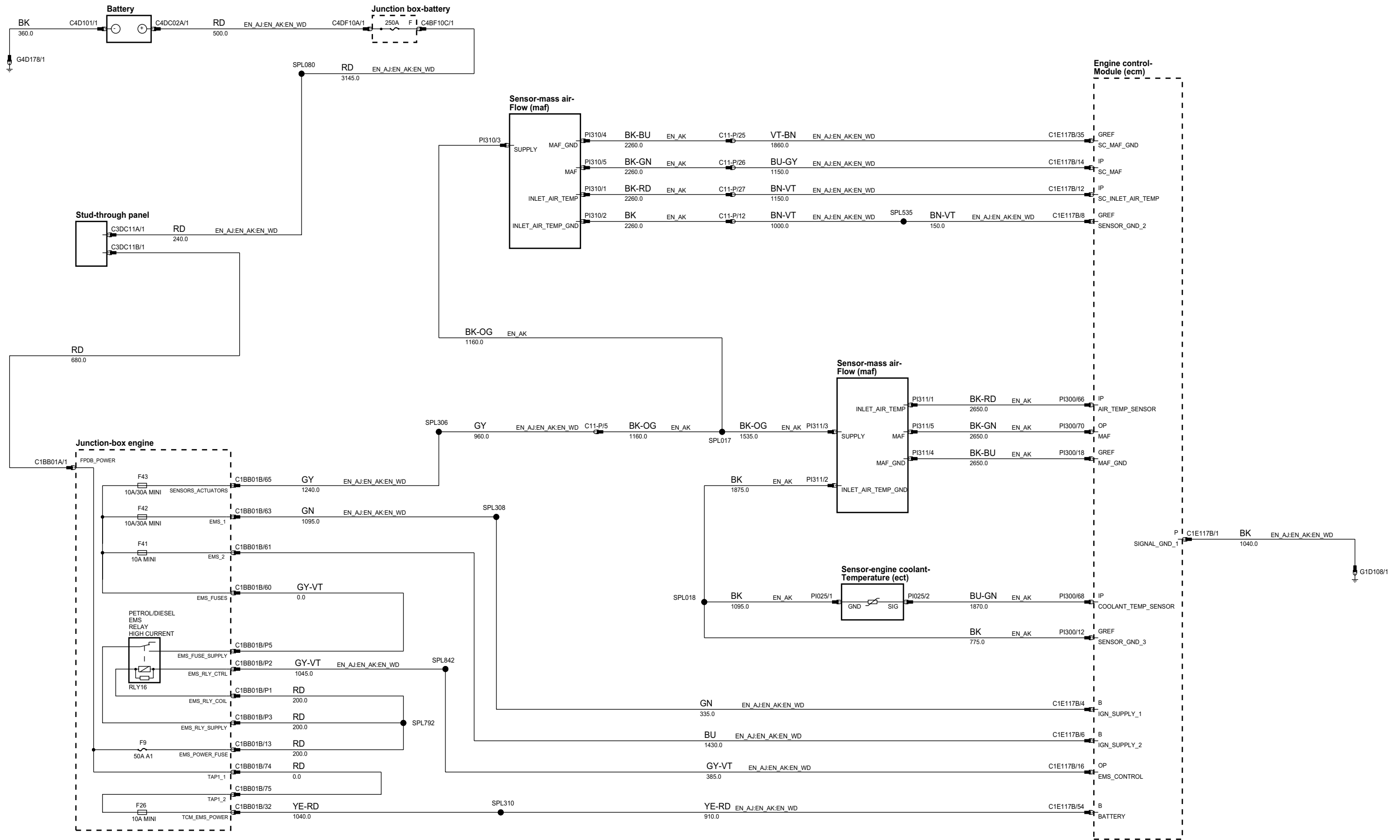
ph870031-b-af



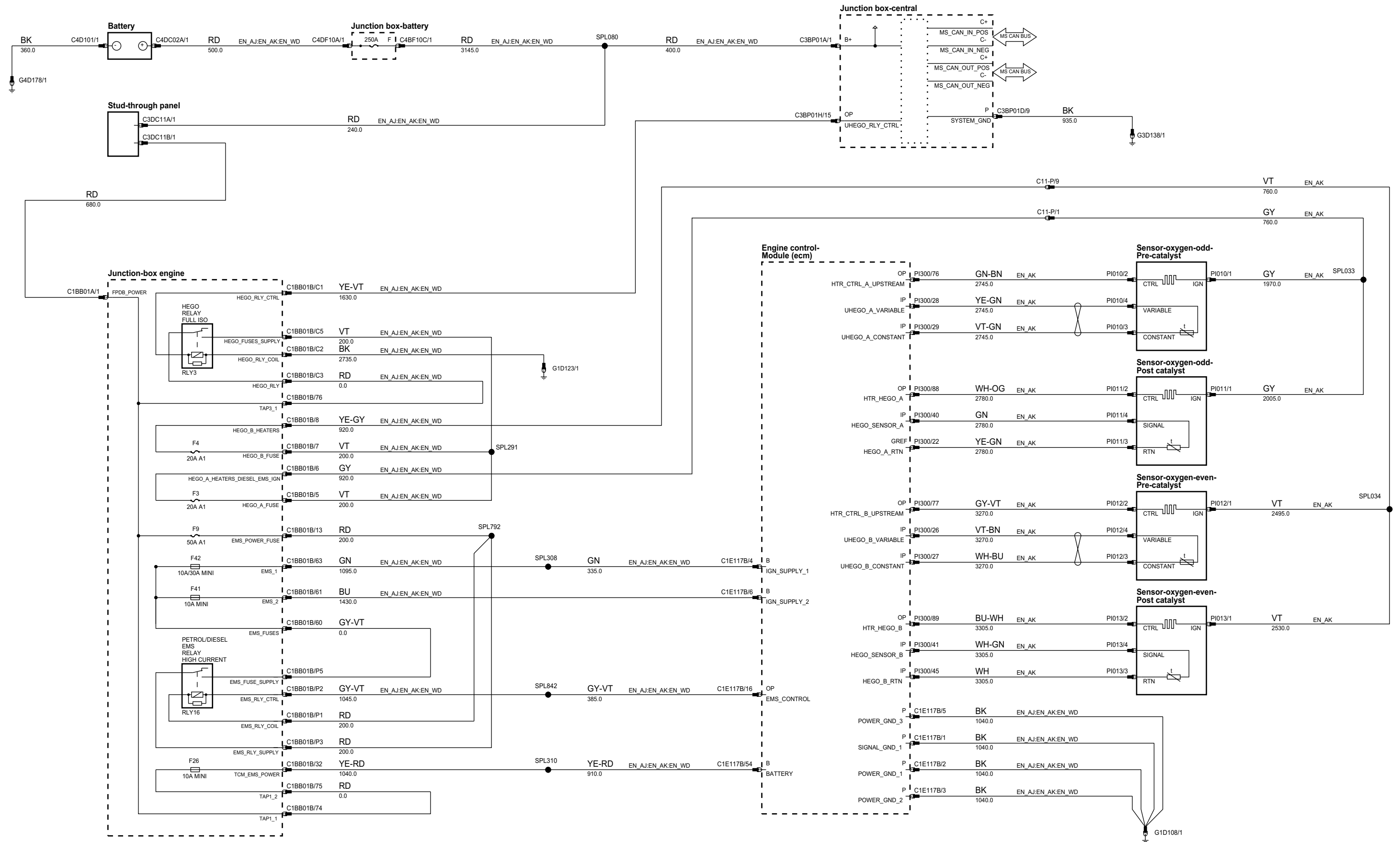
ph8r83-70034-b-af



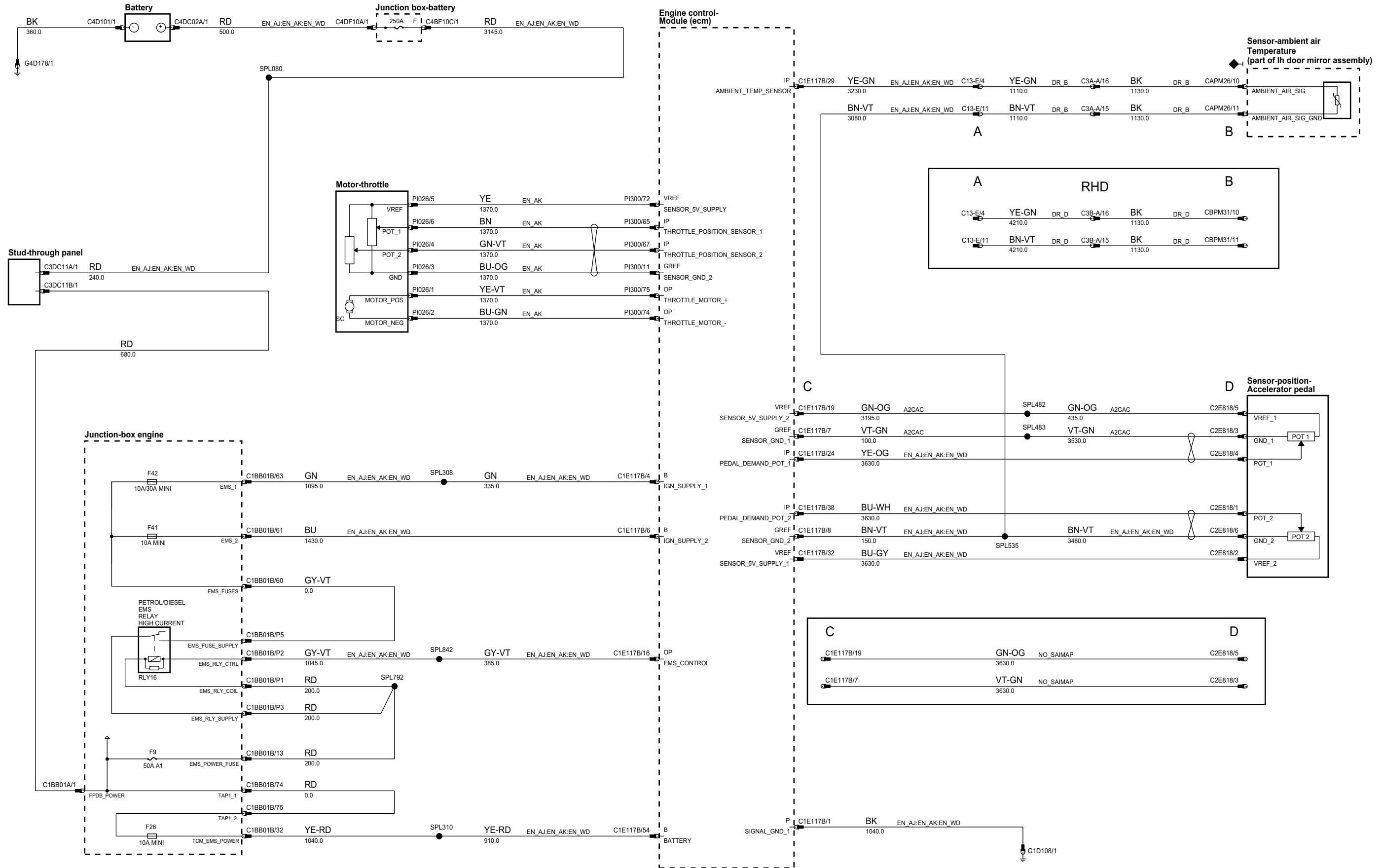
ph8/83-70034-e-af



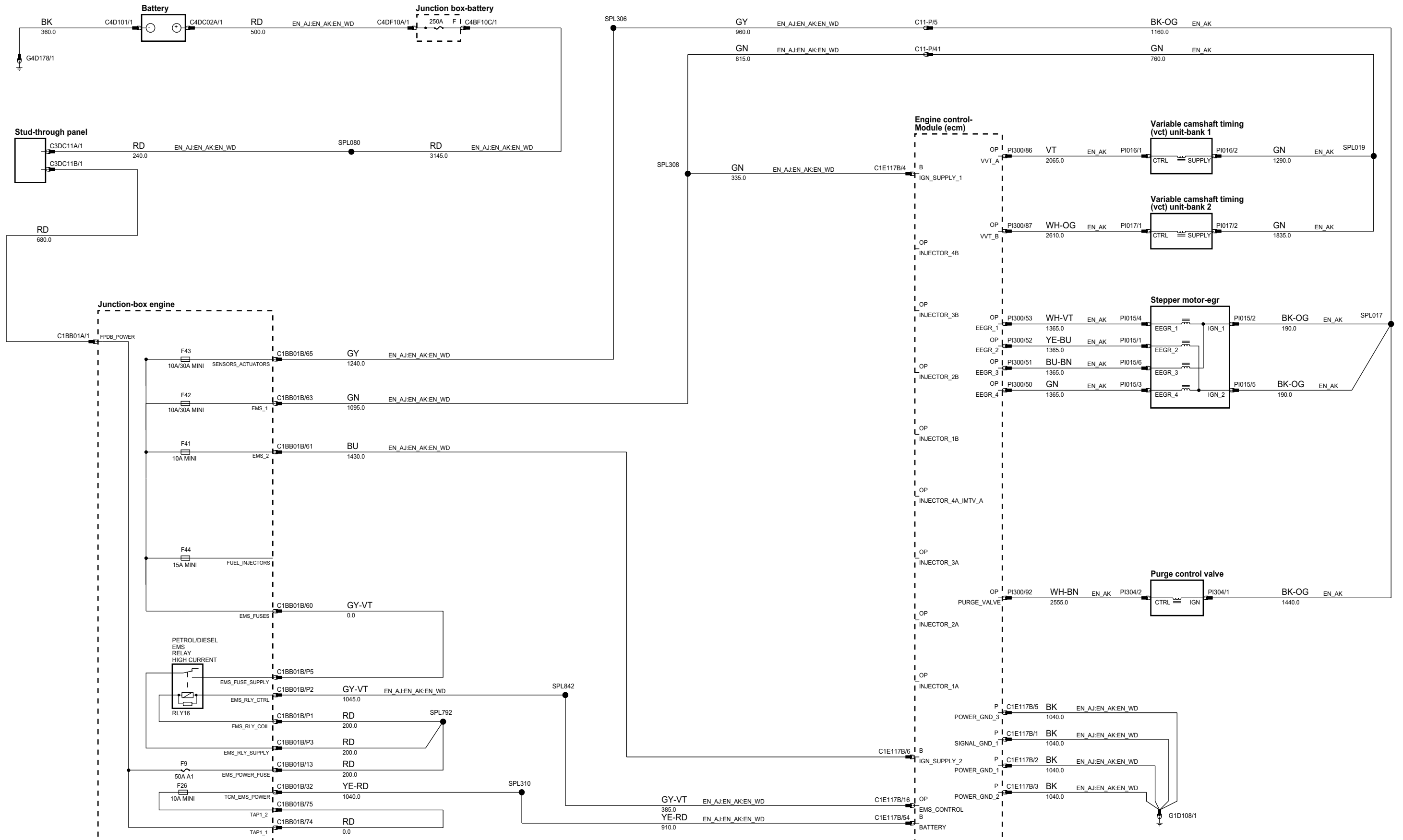
ph8r83-70035-b-af



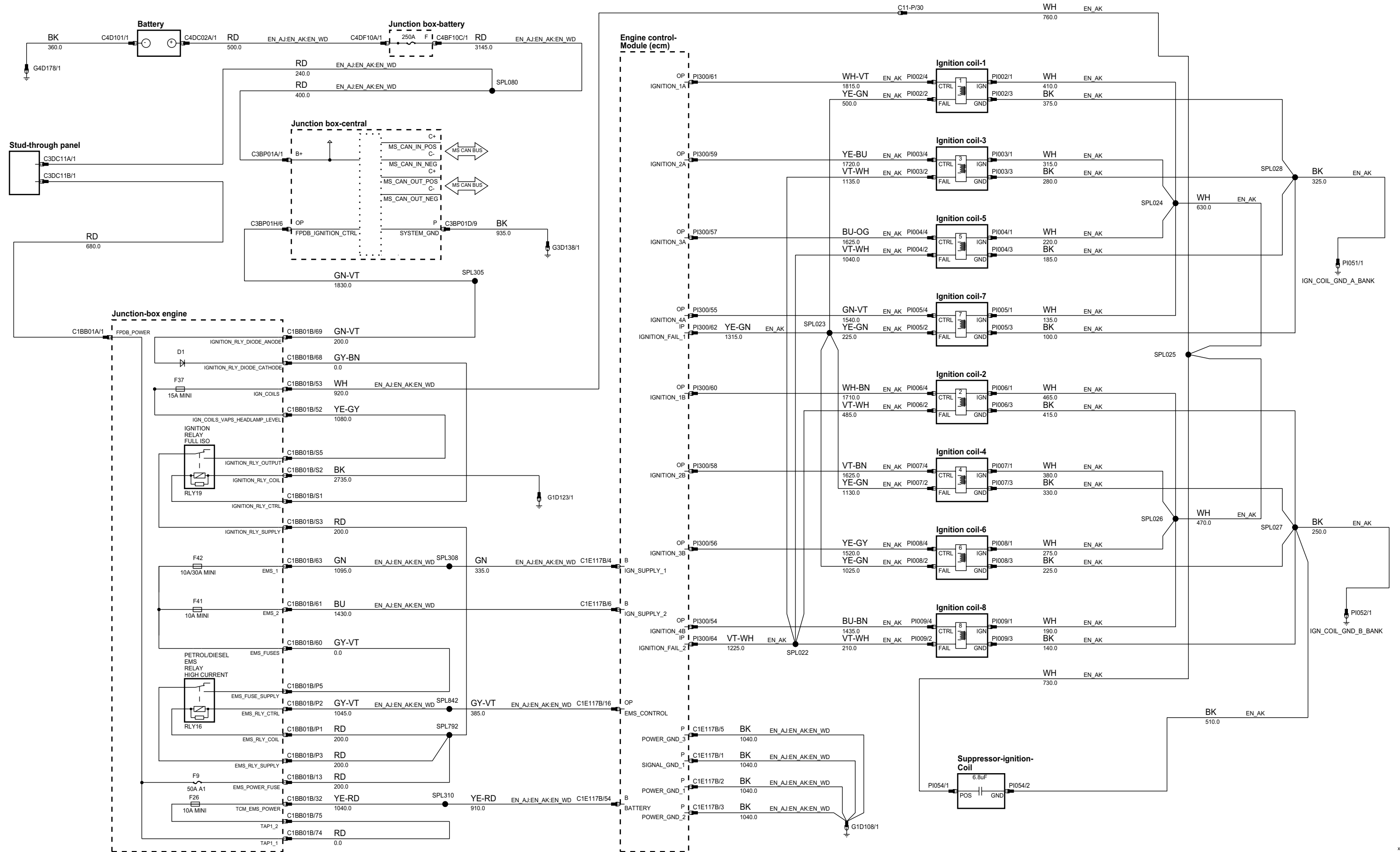
ph8r83-70035-4-af



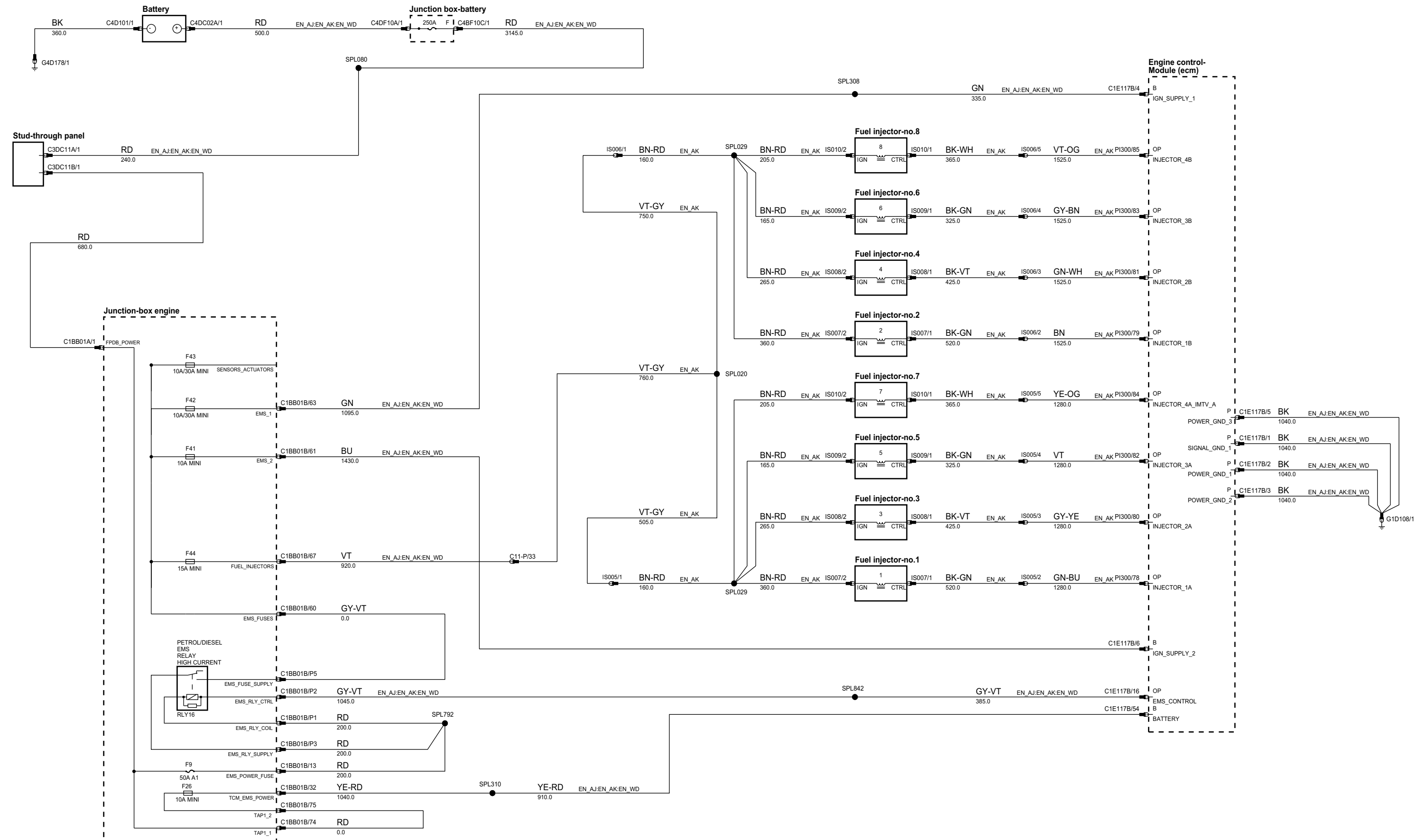
ph8r83-70038-b-af



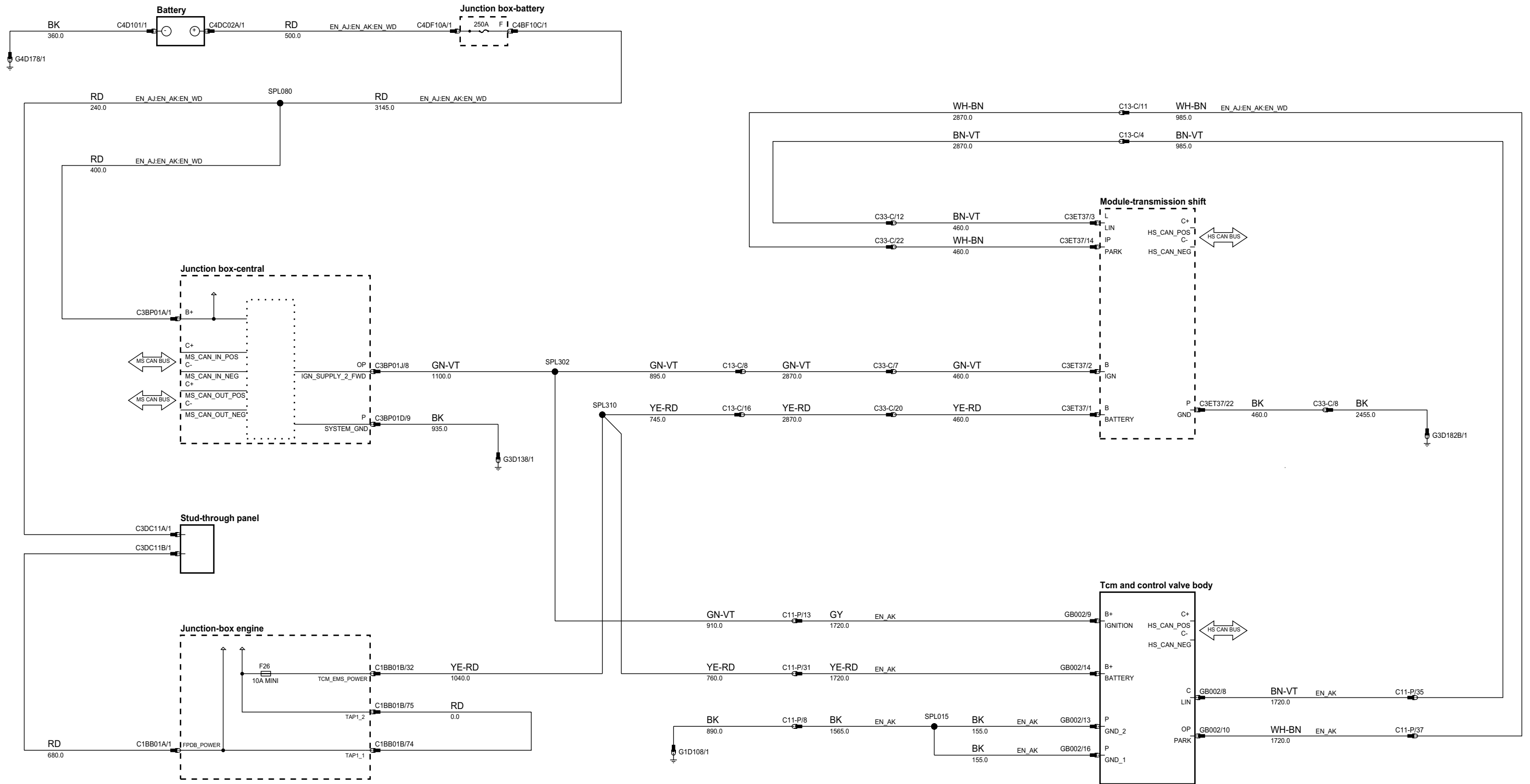
ph8/83-70038-f.af



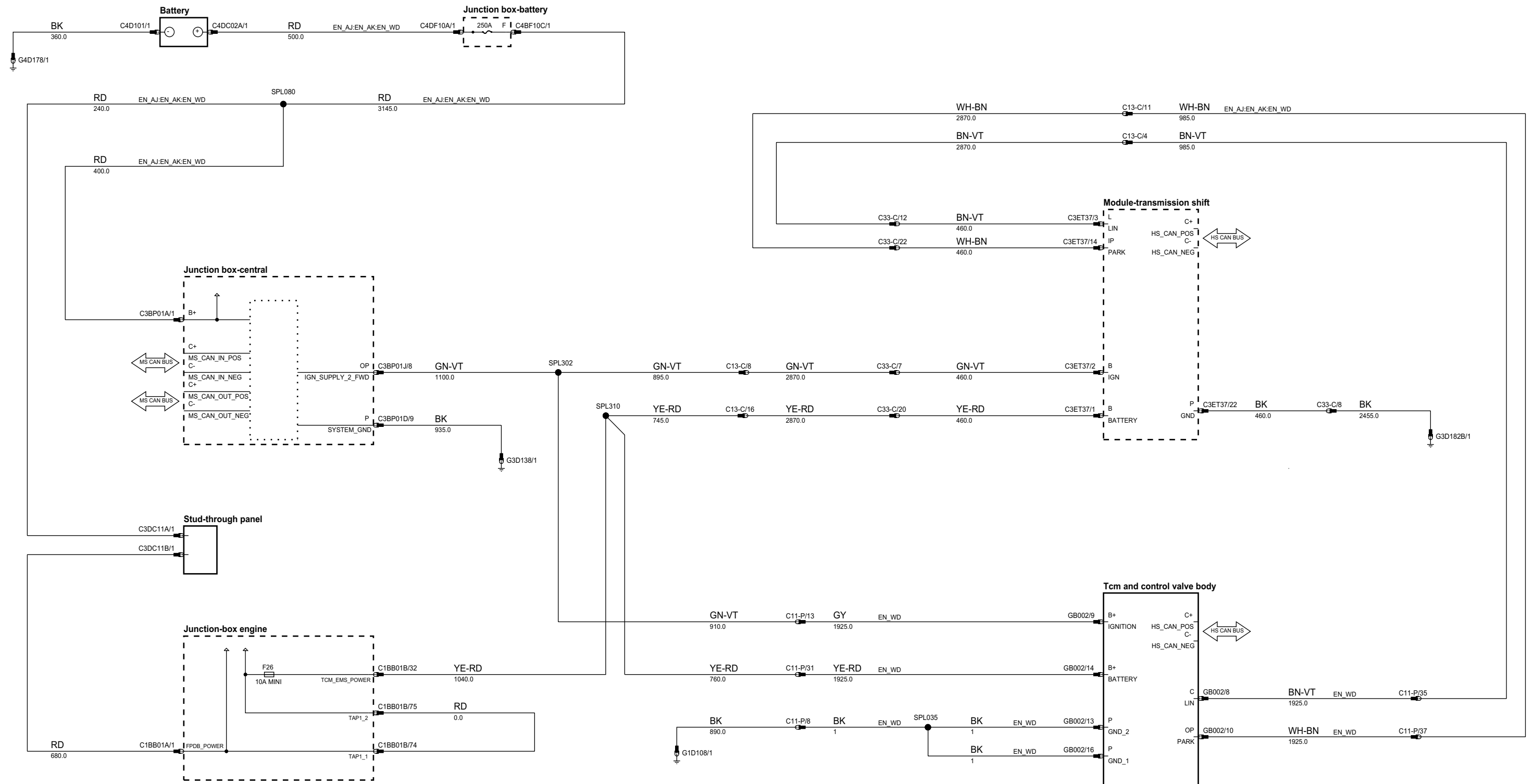
ph8r83-70038-g-af



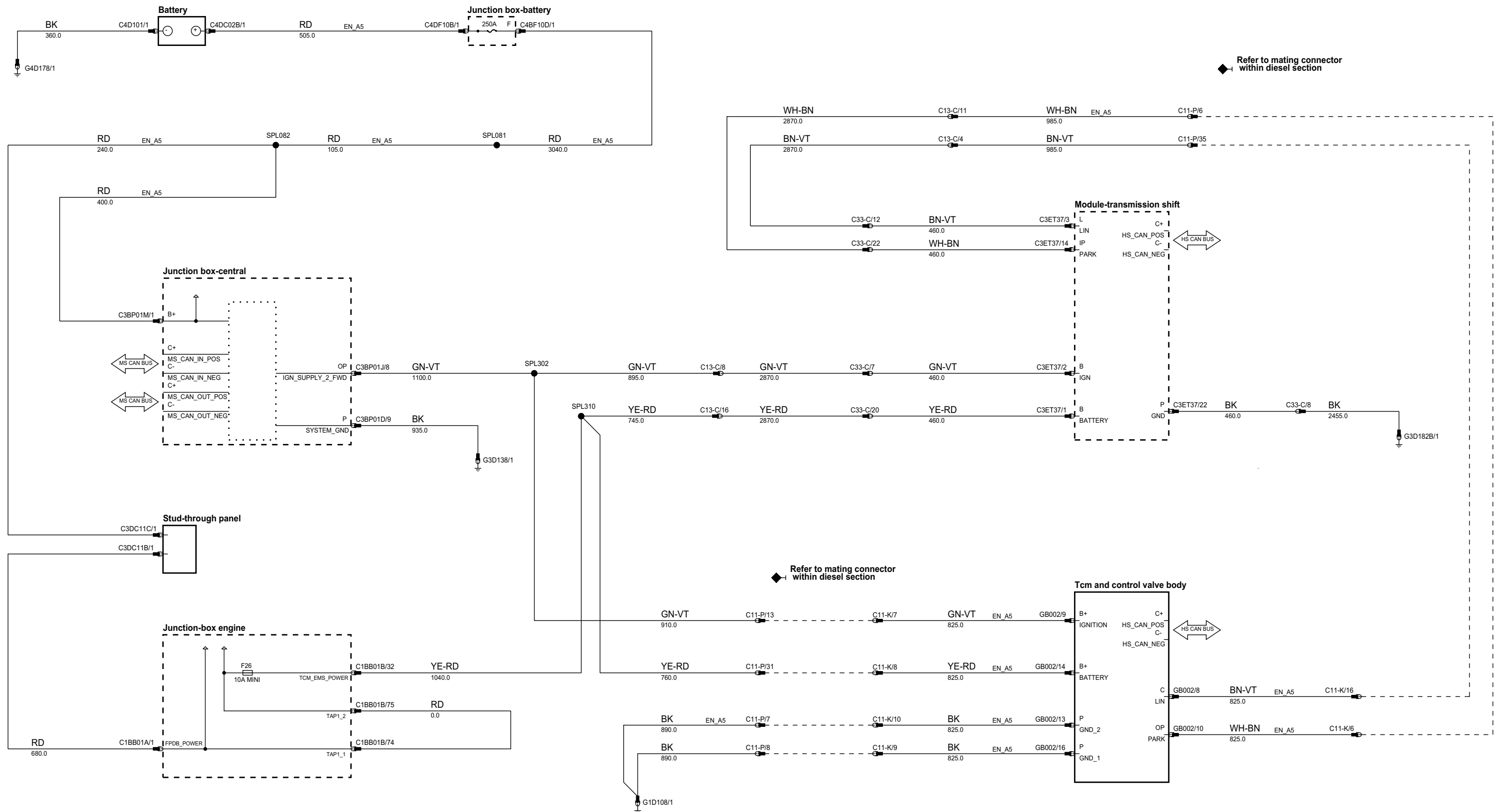
ph8r83-70041-b-af



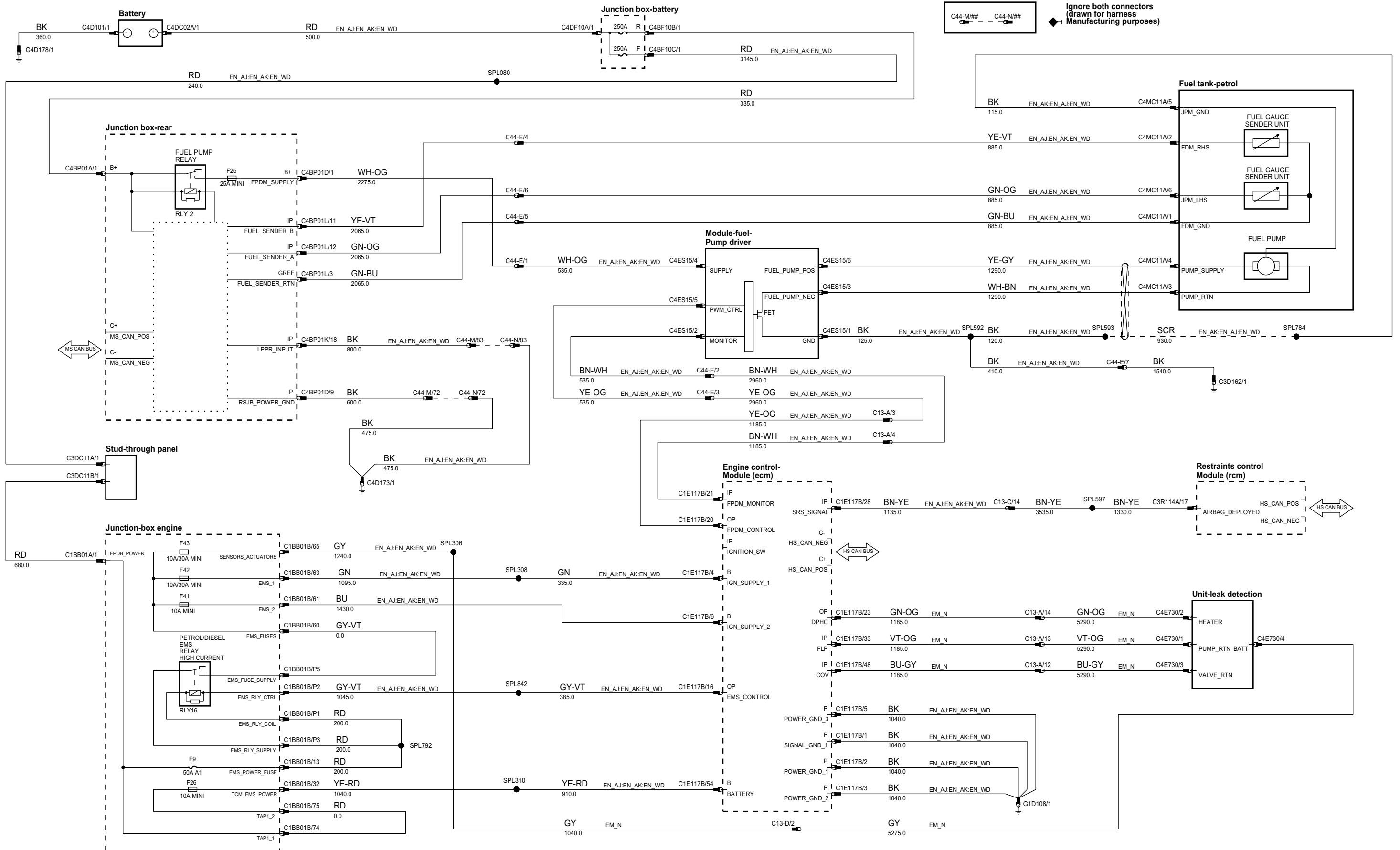
ph883-70041-c-af



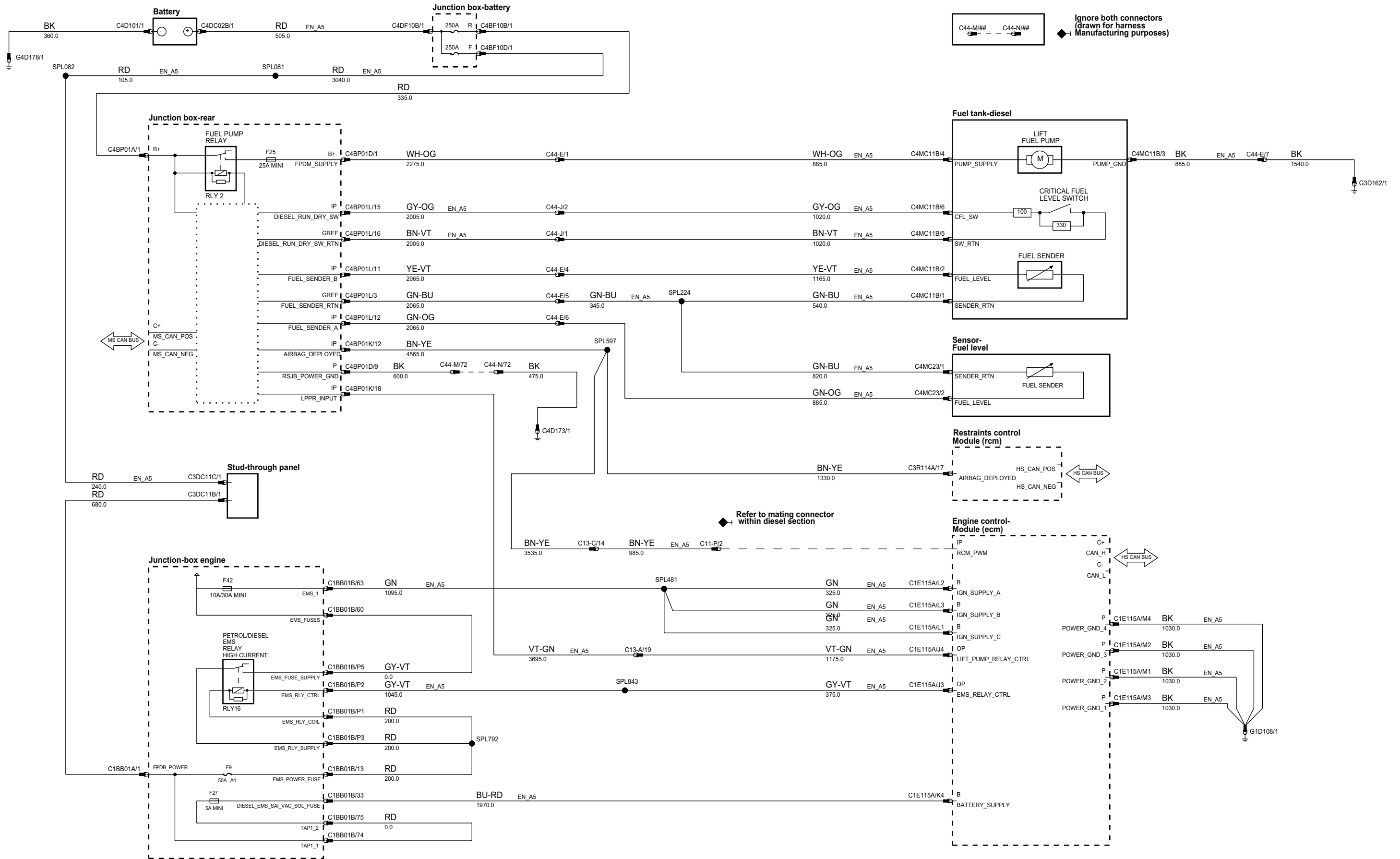
ph8r83-70041-d-af



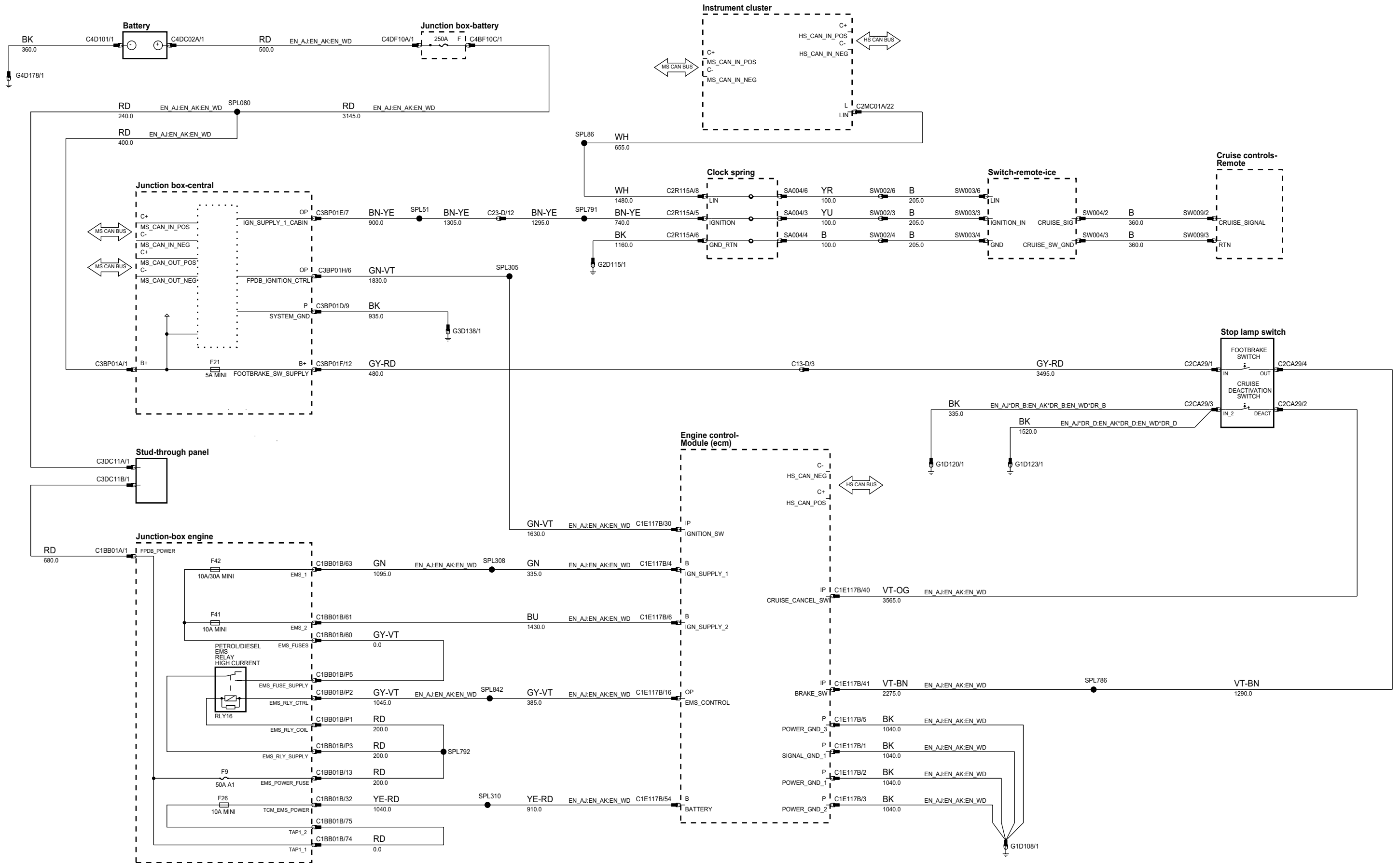
ph83-70036-a-af



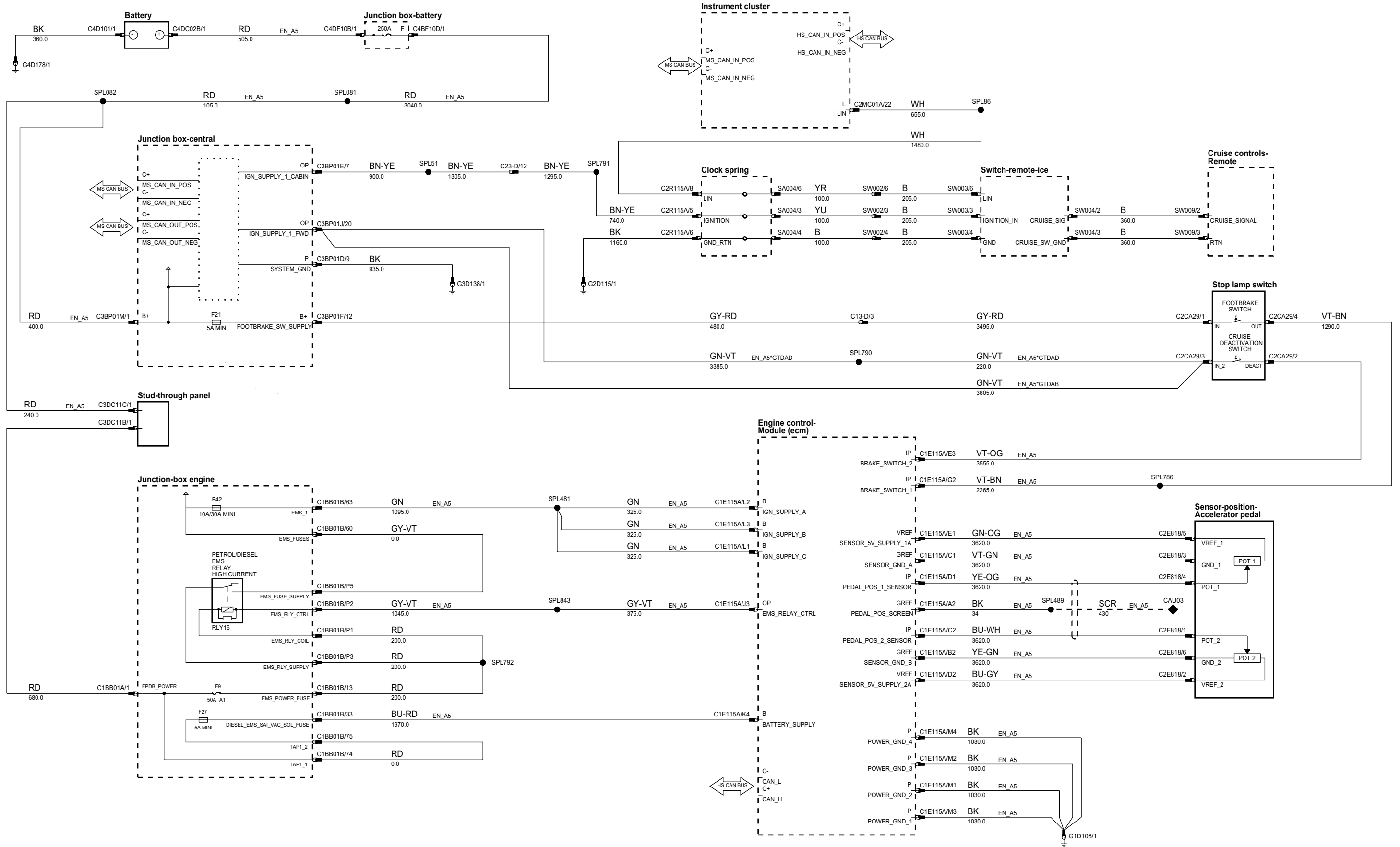
ph8/83-70036-d-af



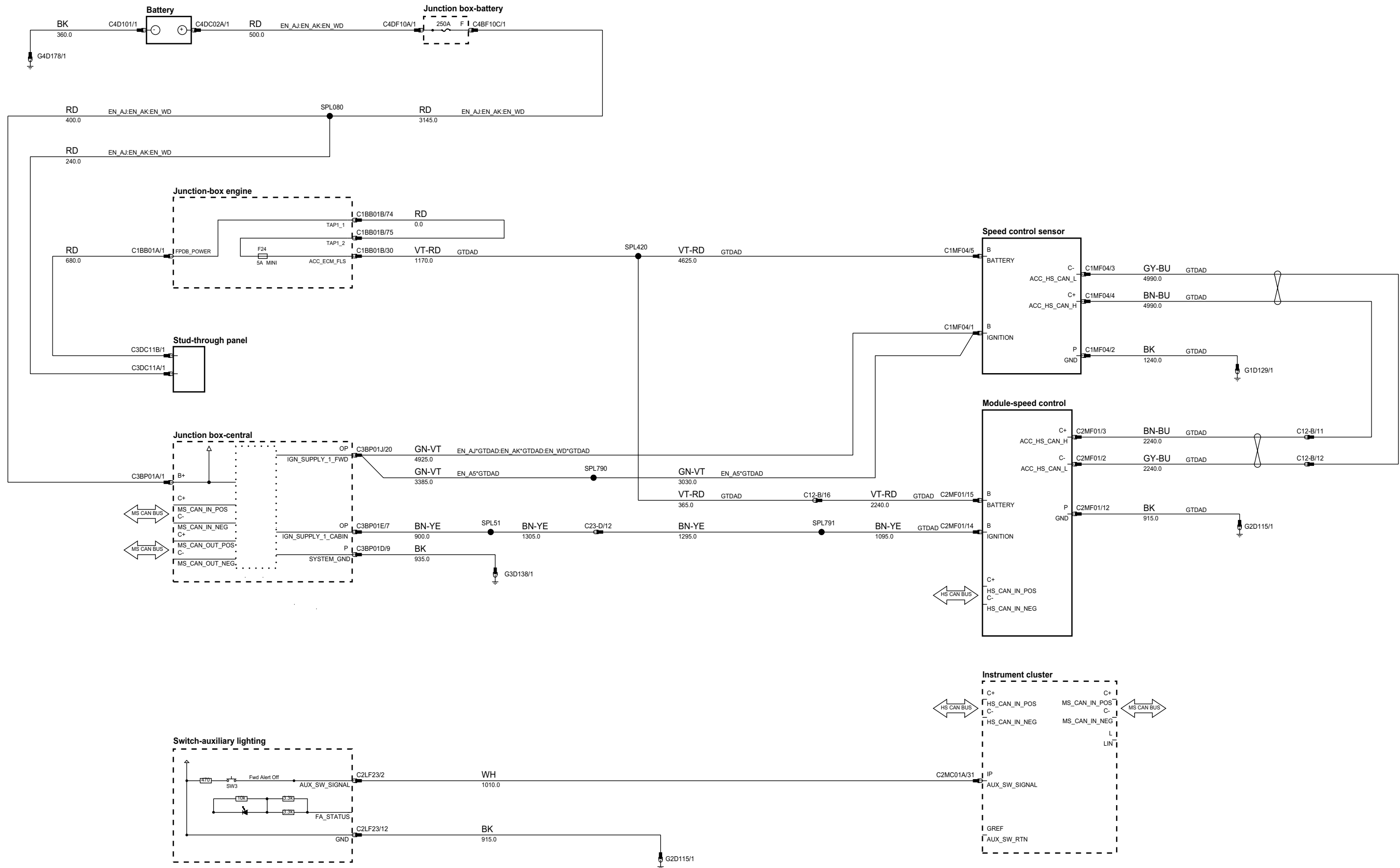
ph8r83-70190-a-af



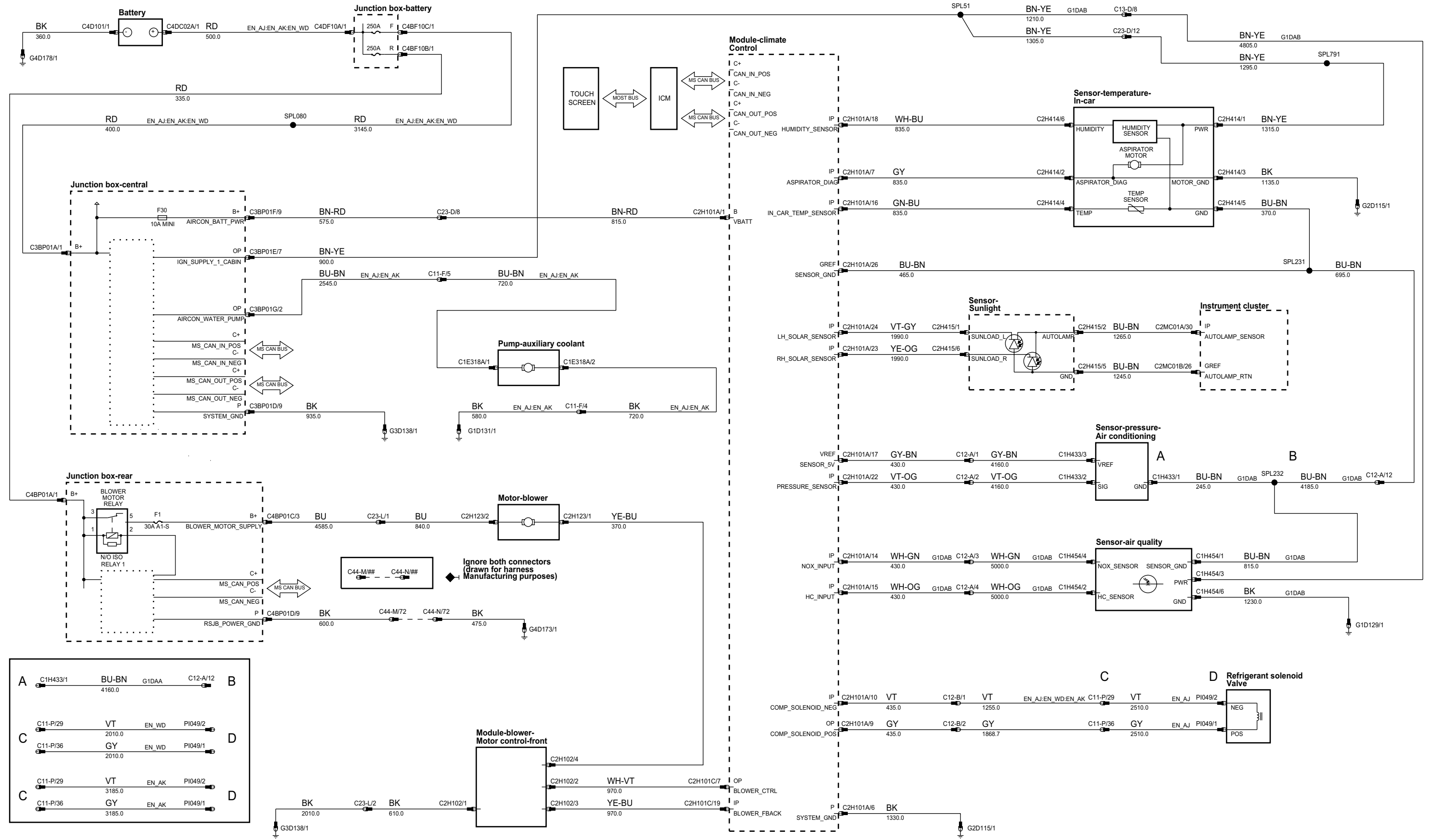
ph8r83-70190-d-af



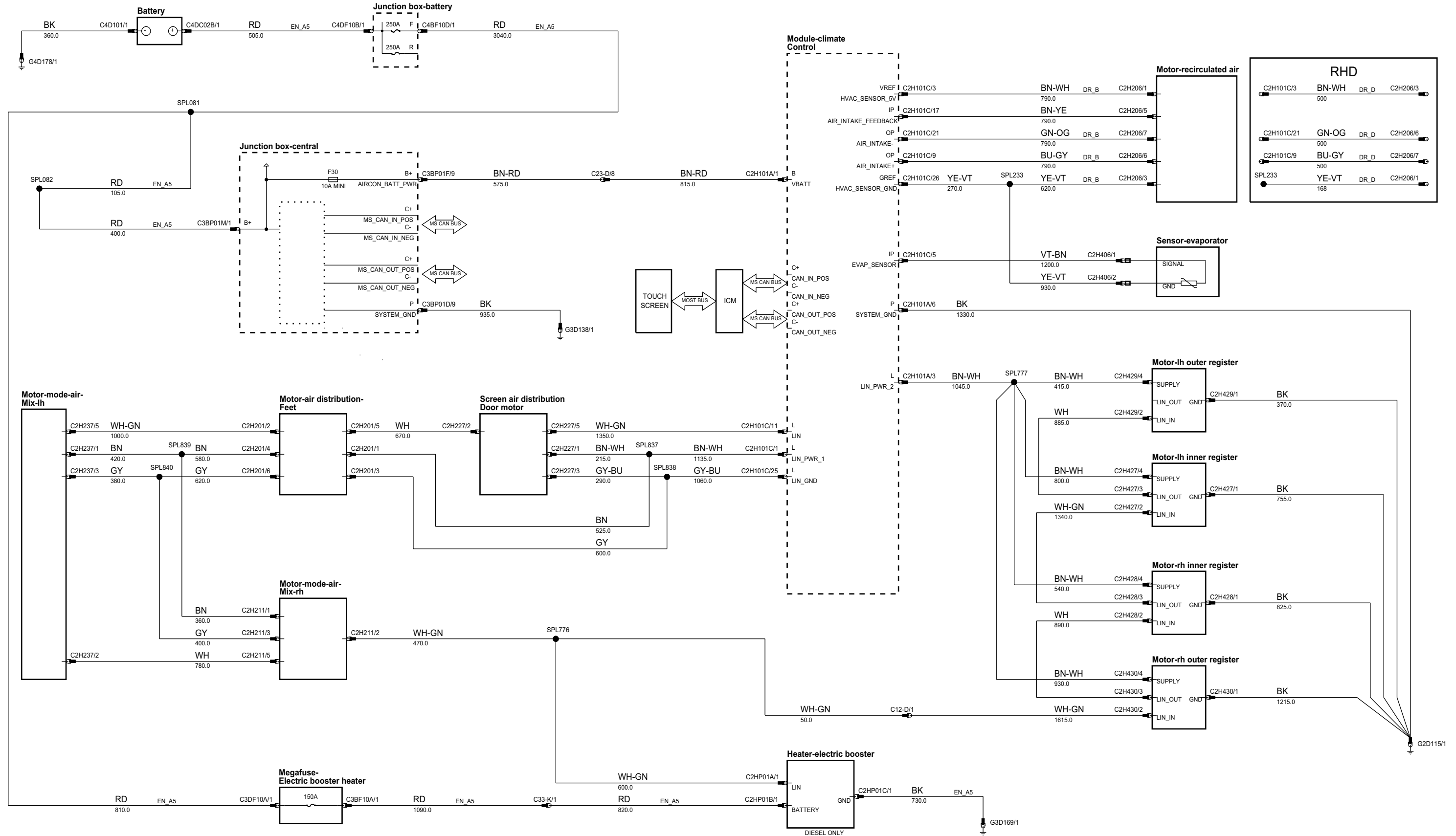
ph8r83-70486-a-af



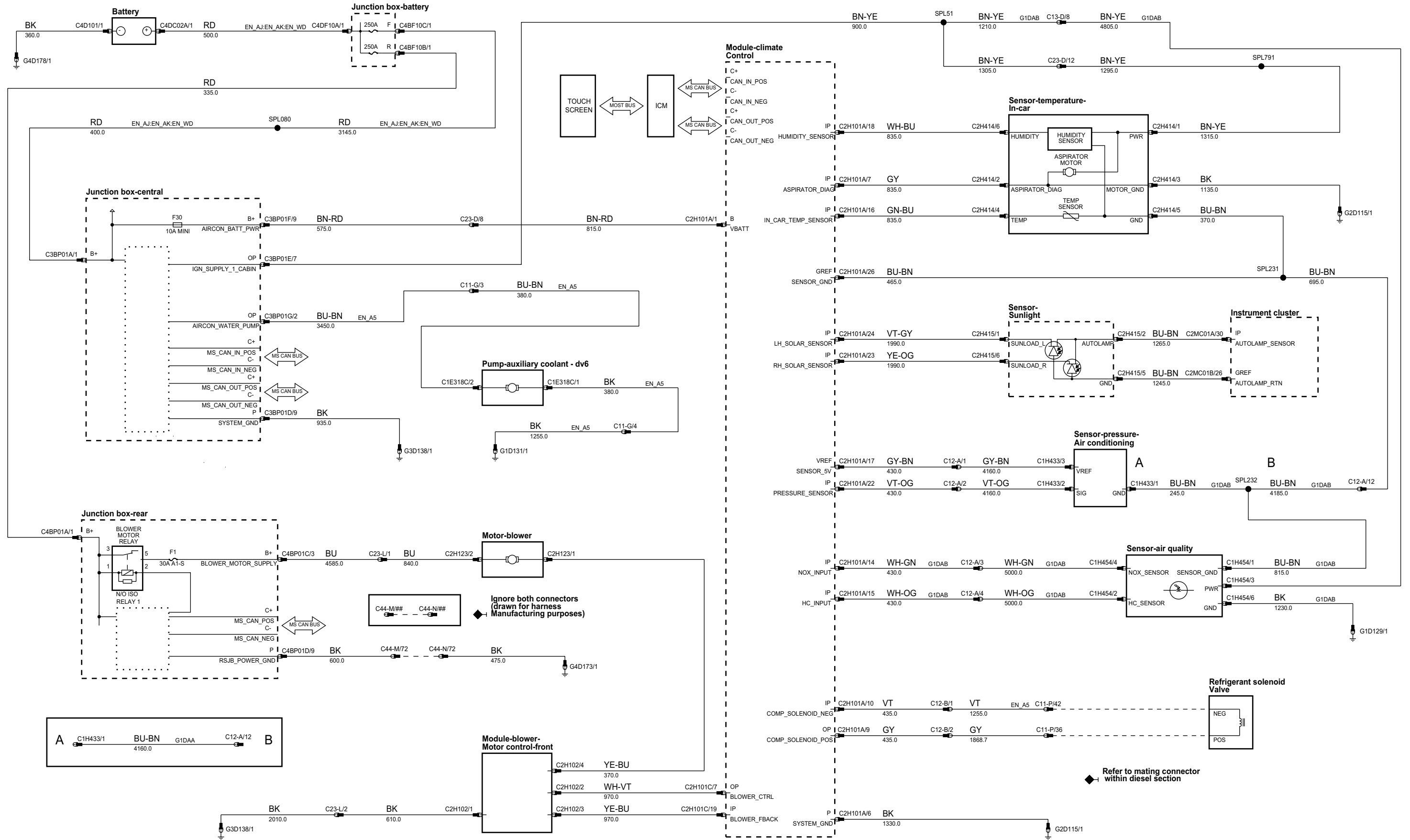
ph883-70295-a-af



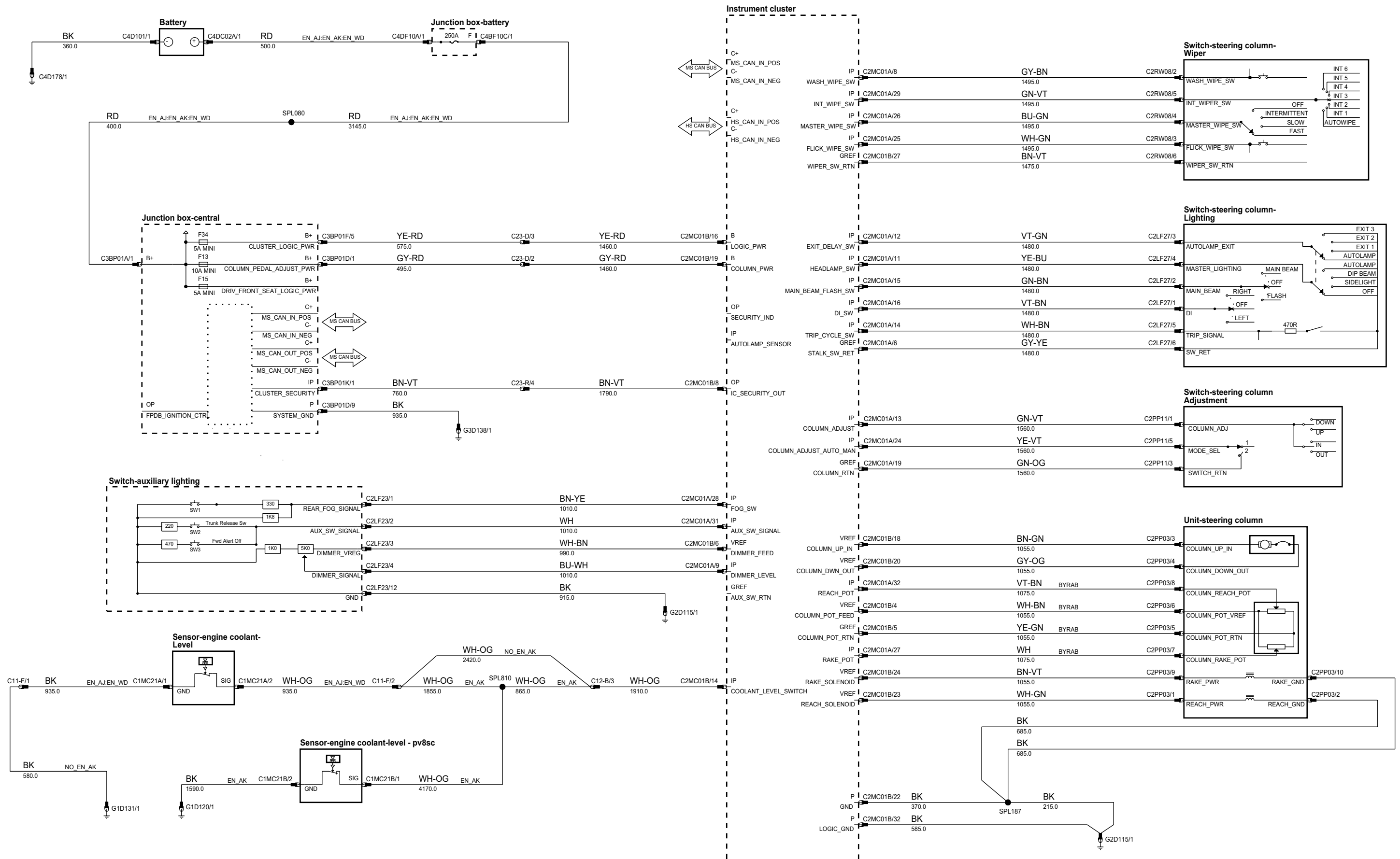
ph8r83-70295-b-af



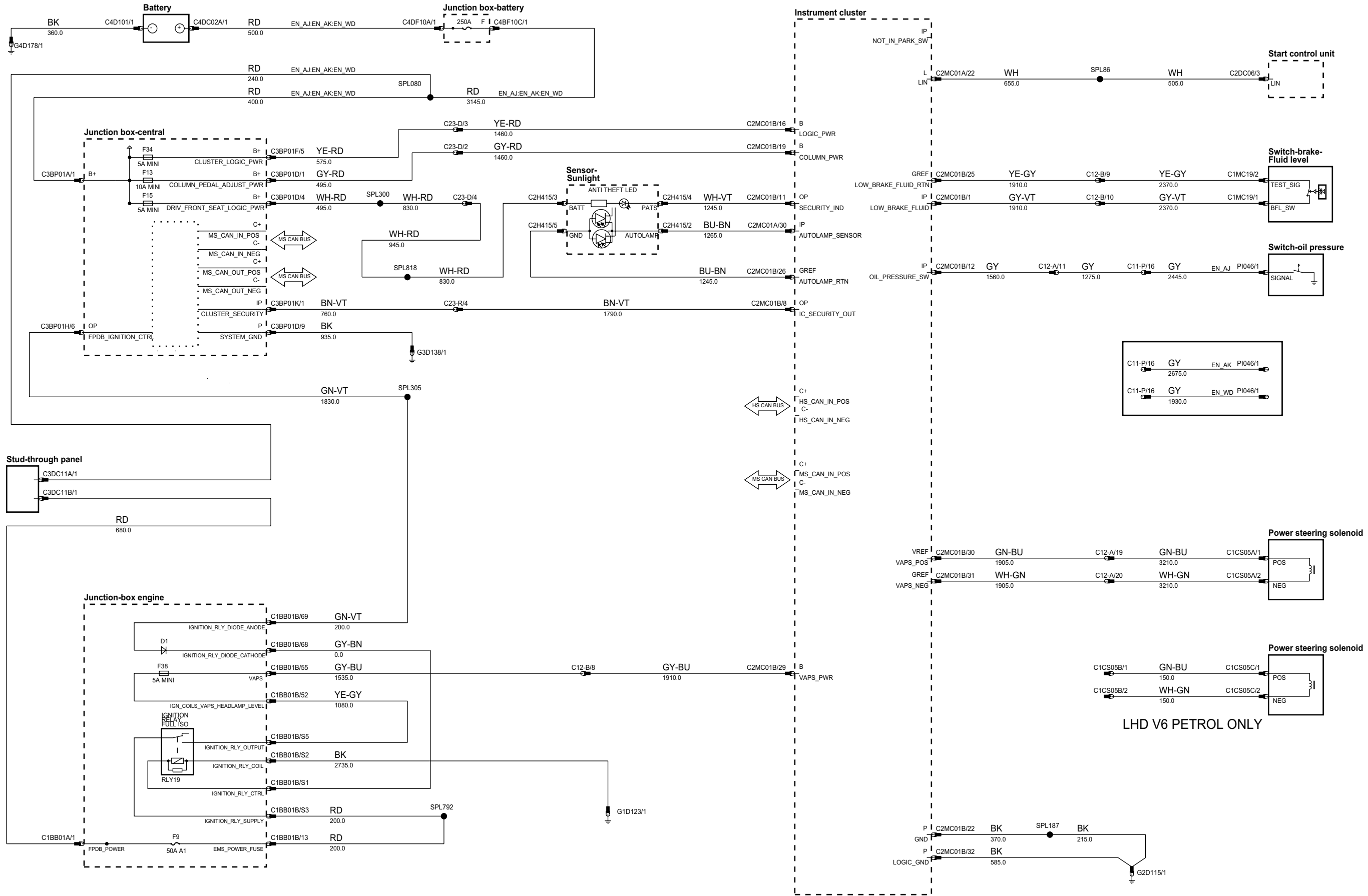
ph8r3-70295-c-af



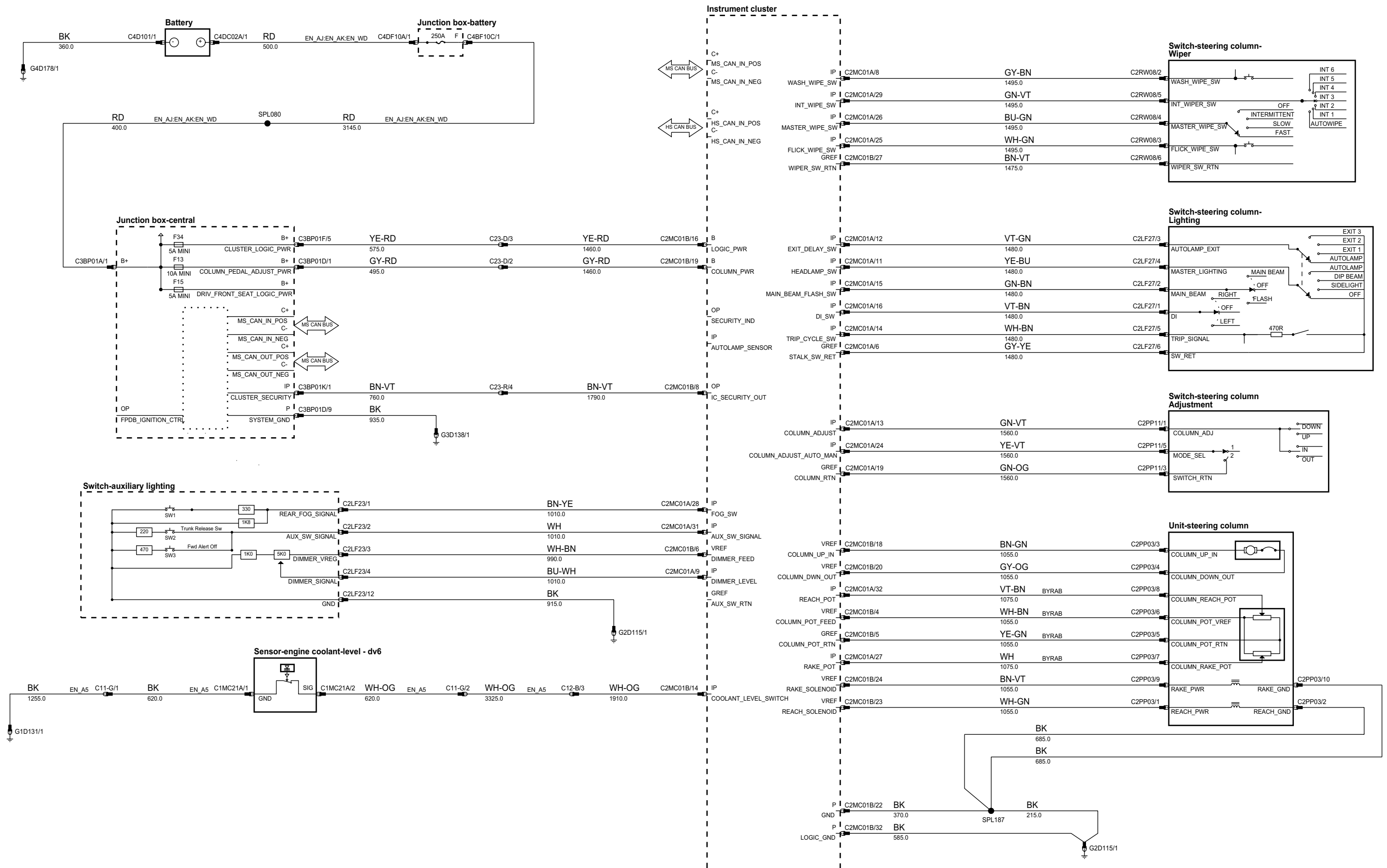
ph83-70210-a-af



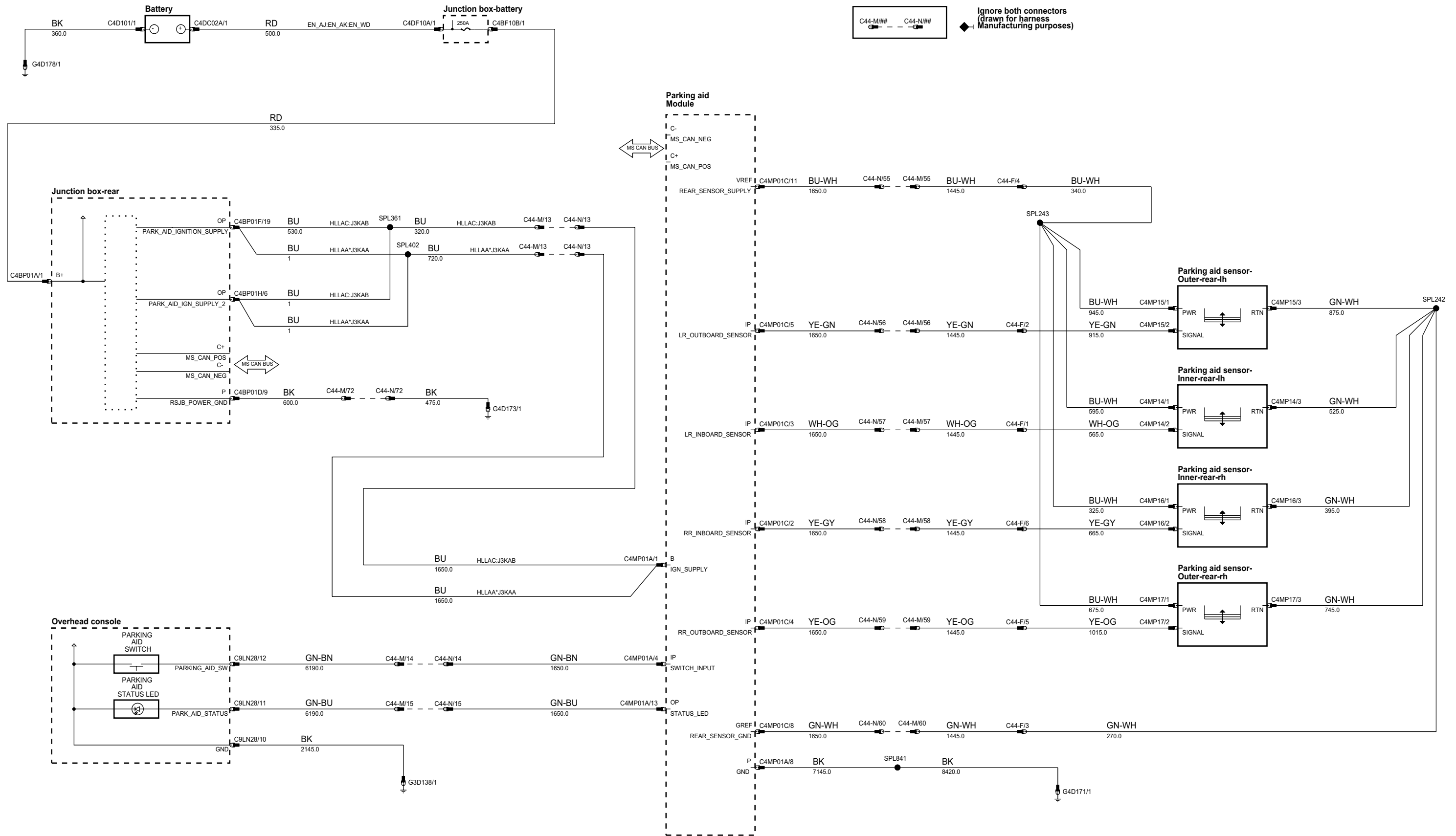
ph883-70210-b-af



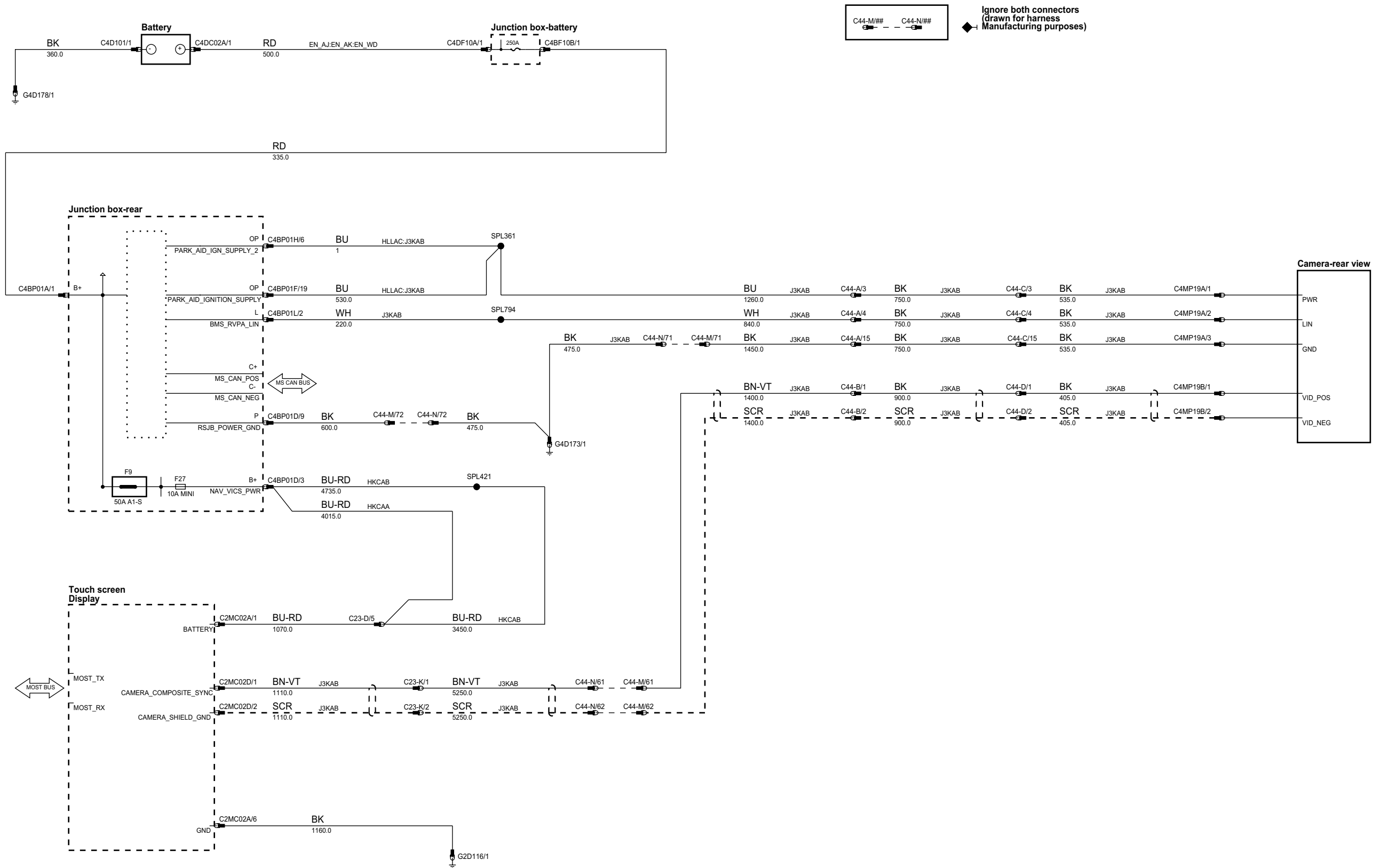
ph83-70210-d-af



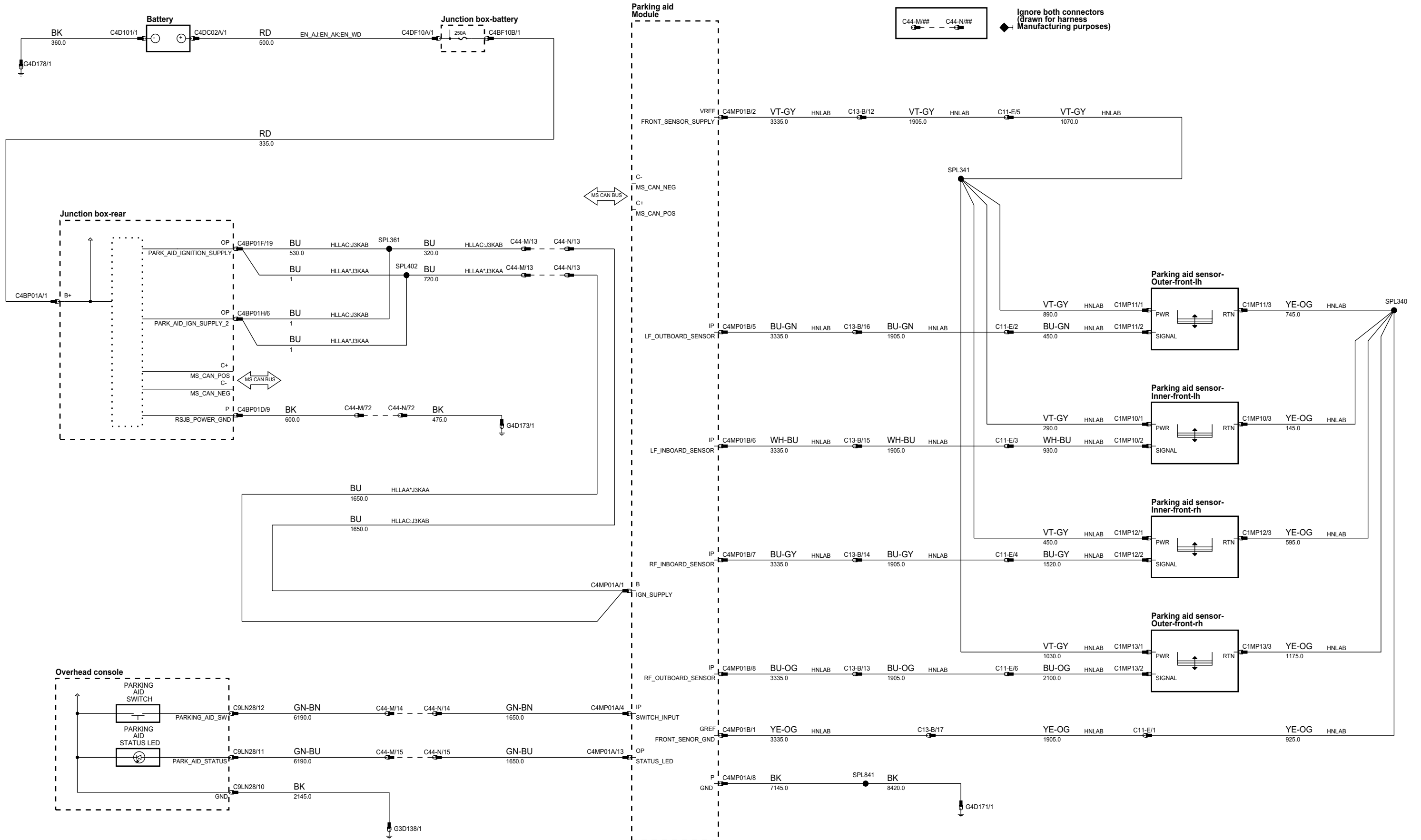
ph883-70481-a-af



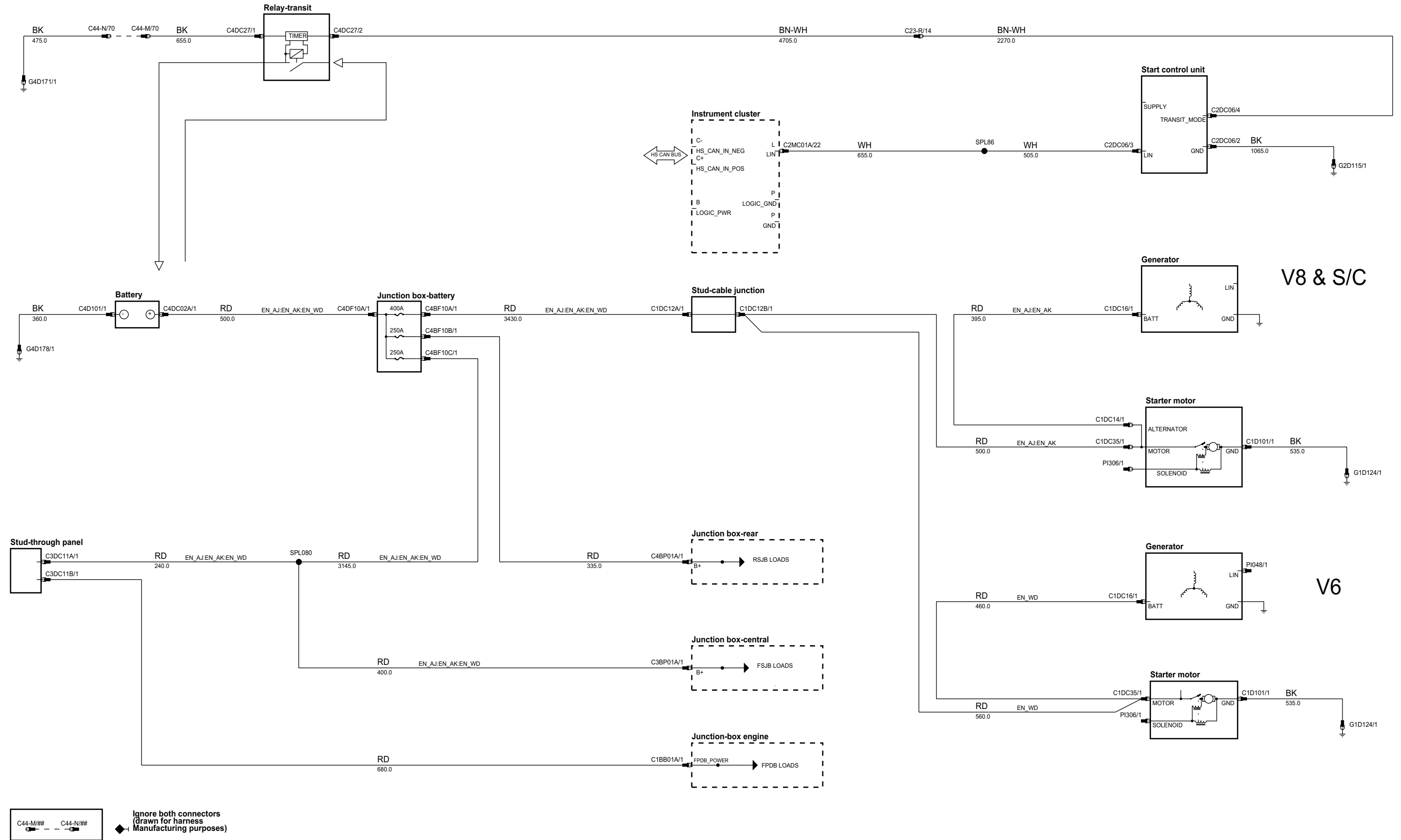
ph883-70481-b-af



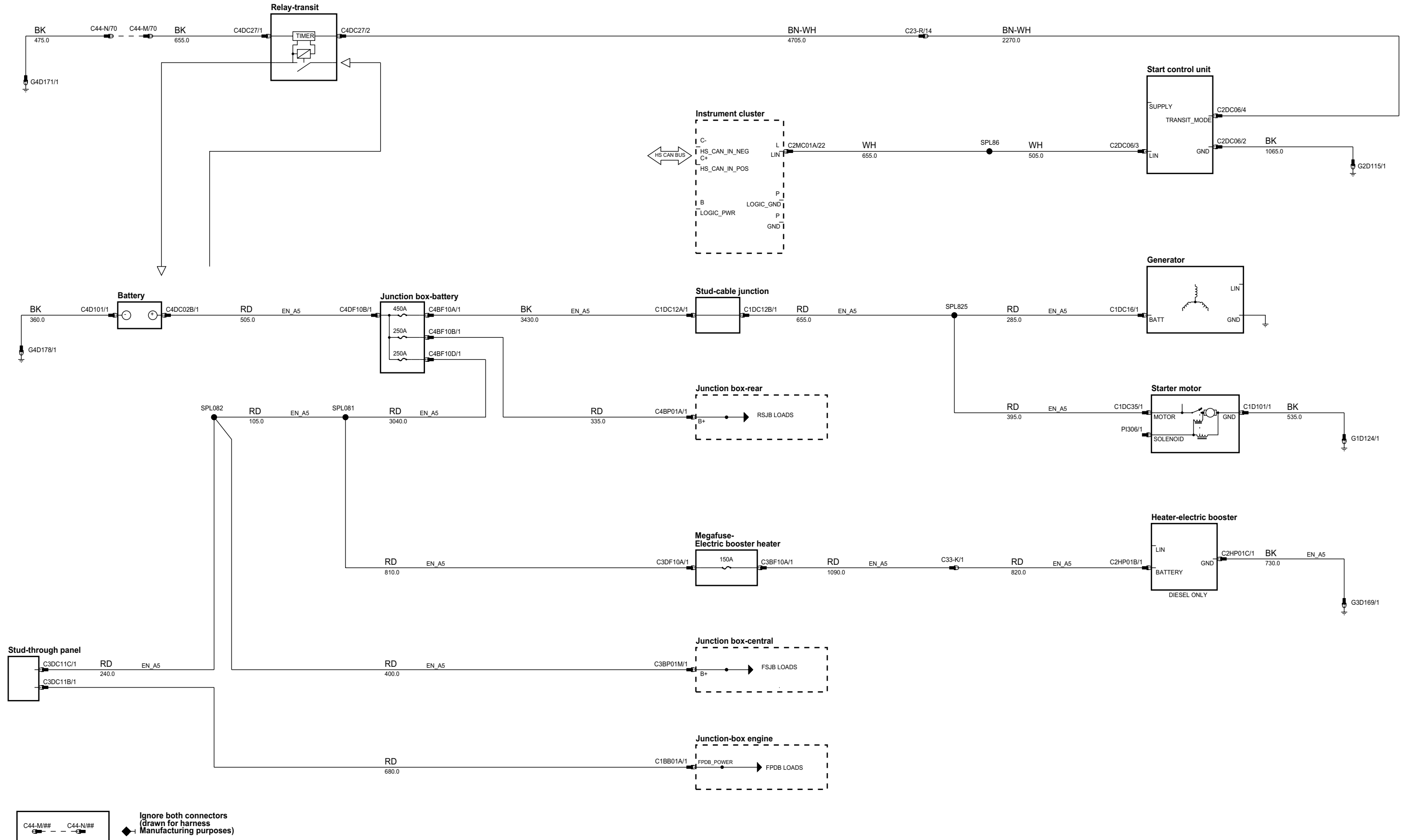
ph8r83-70481-c-af



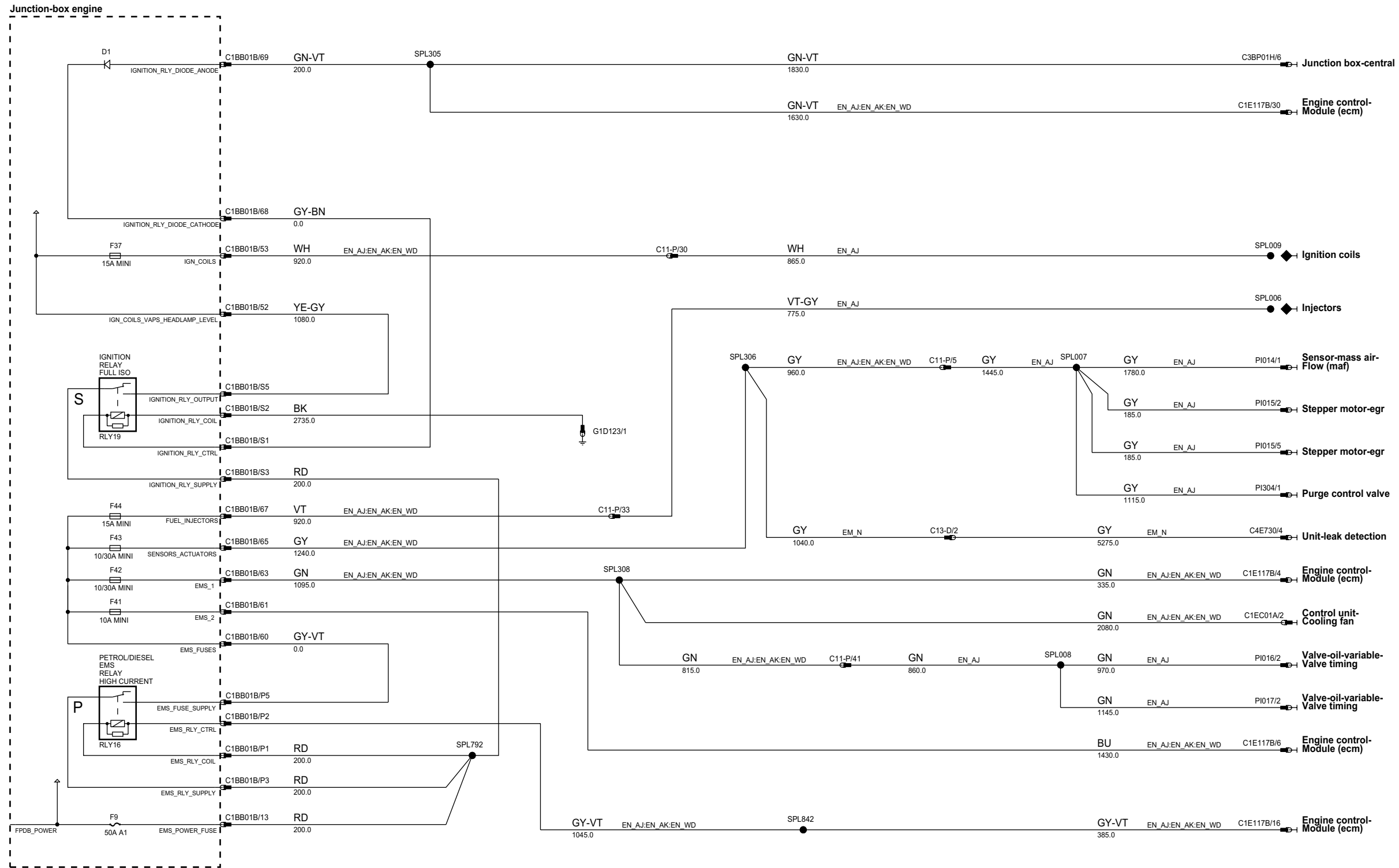
ph8r83-70010-a-af



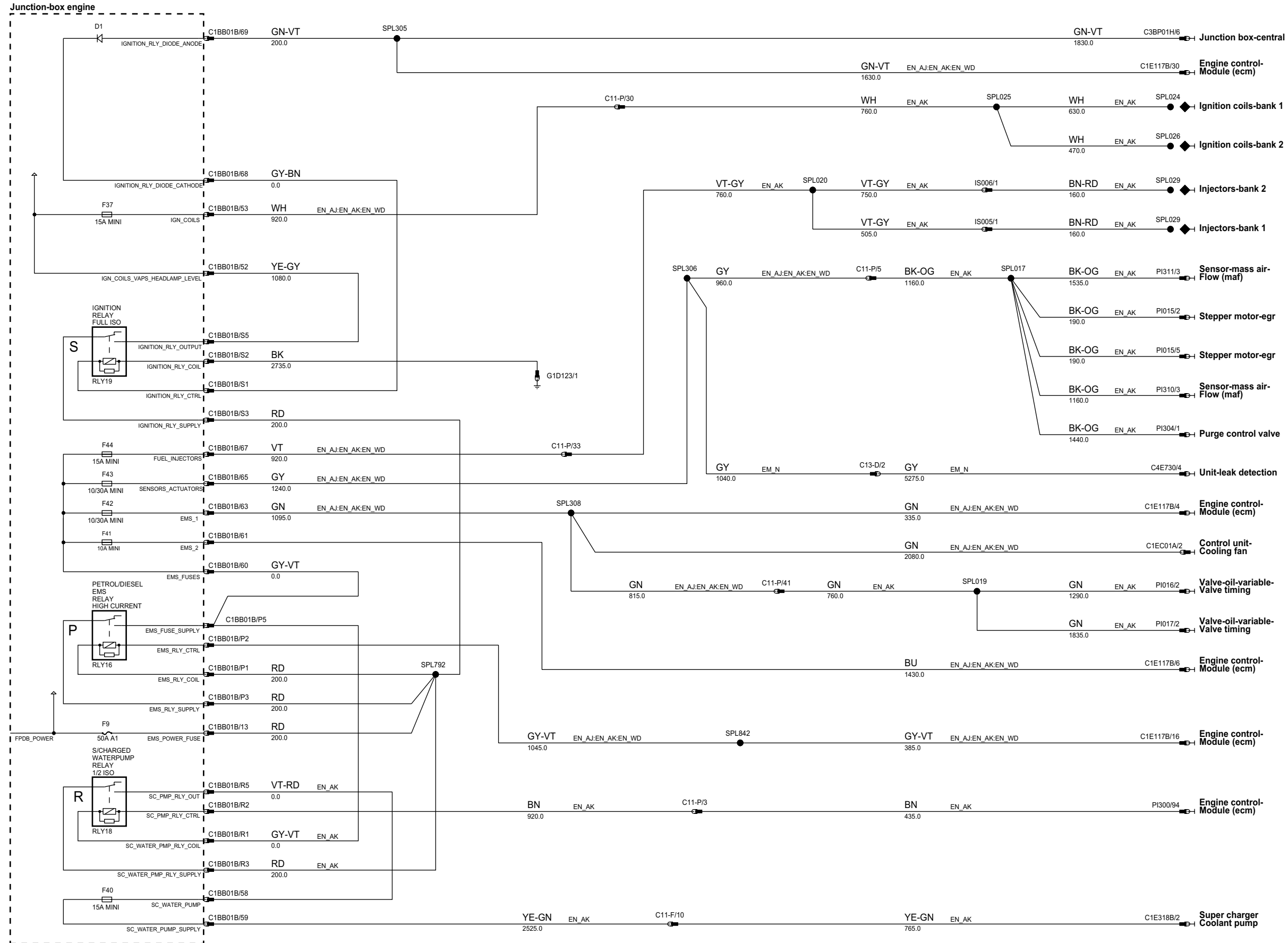
ph8r83-70010-b-af



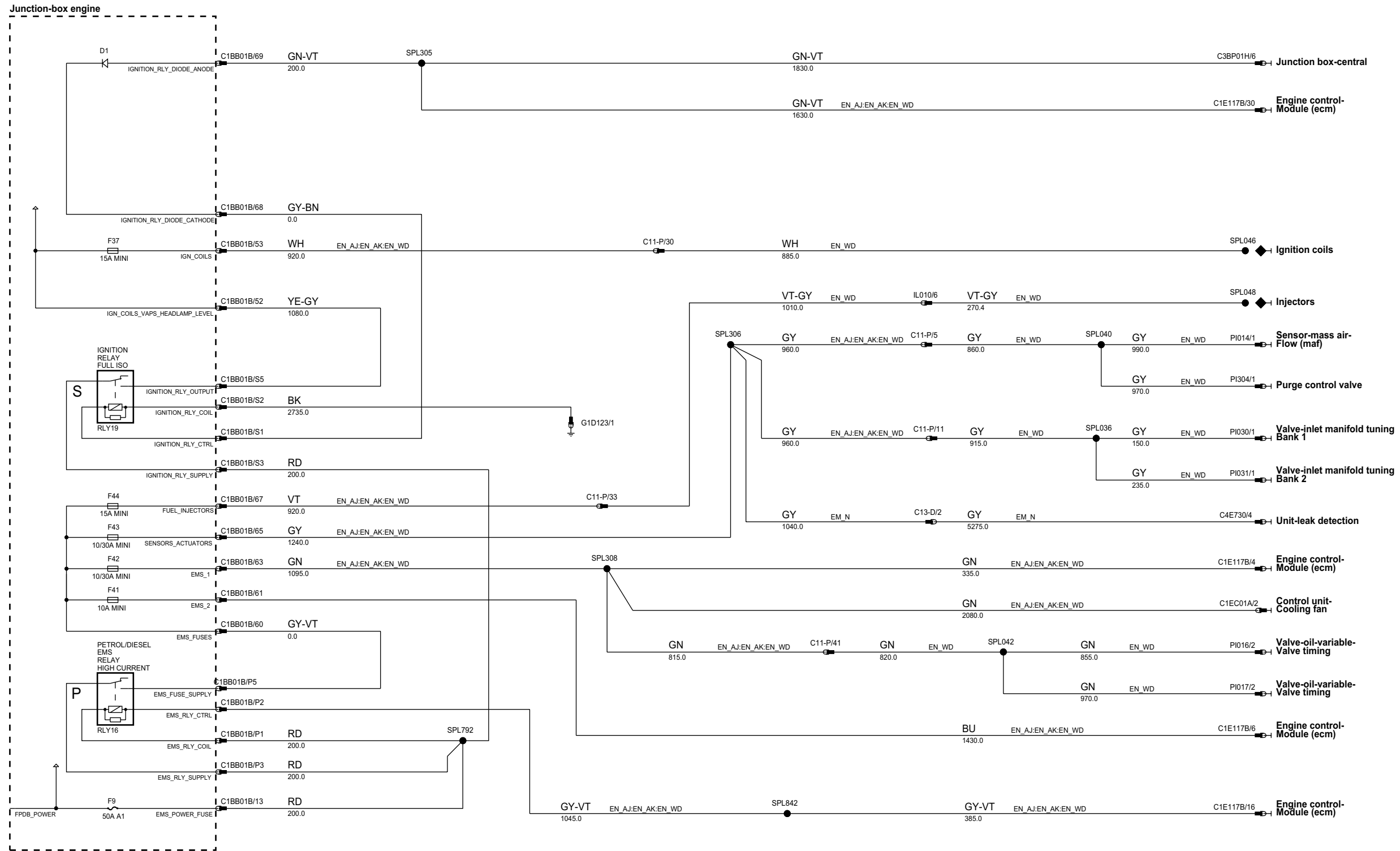
ph83-70010-c-af



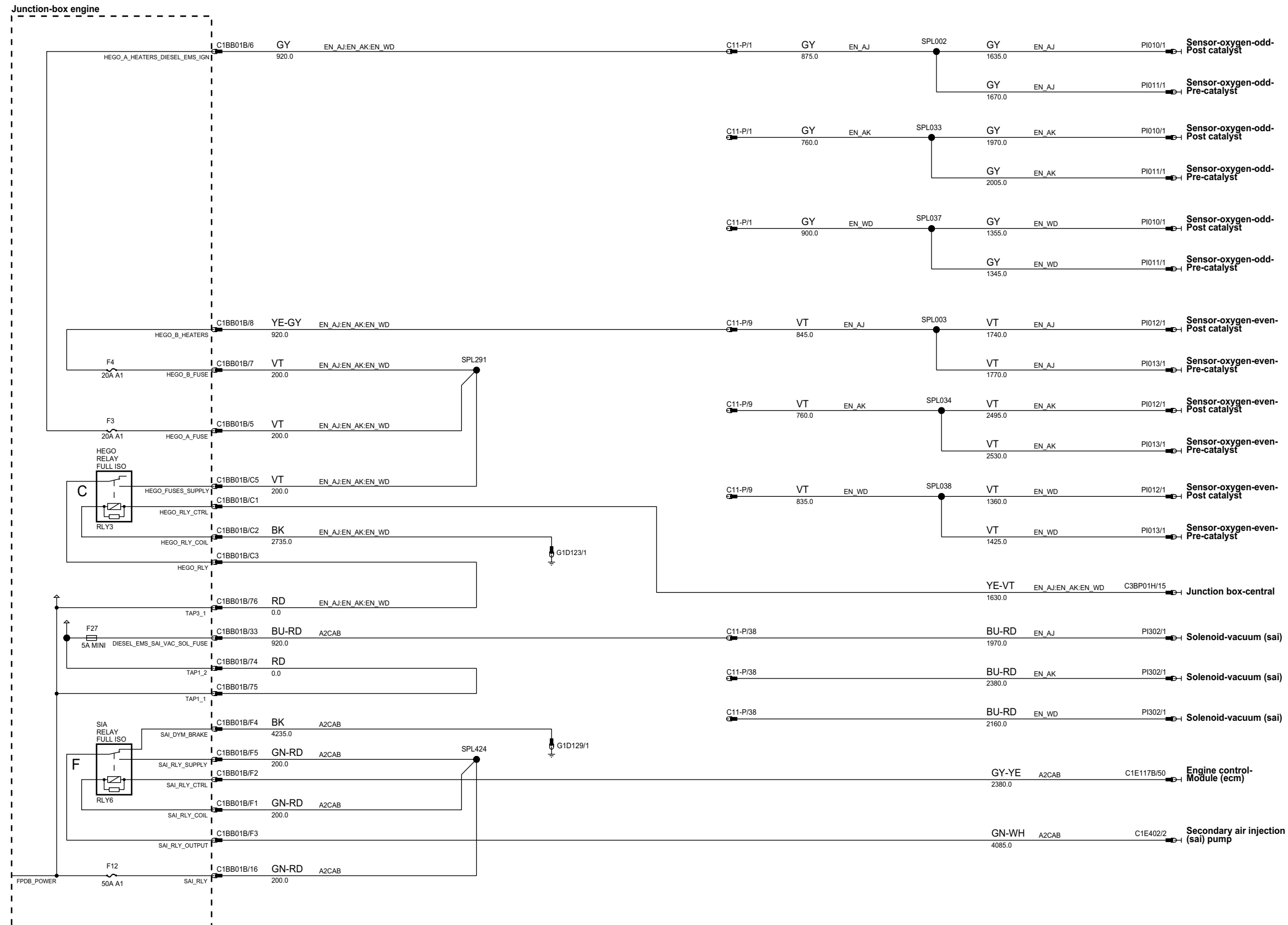
ph883-70010-d-af



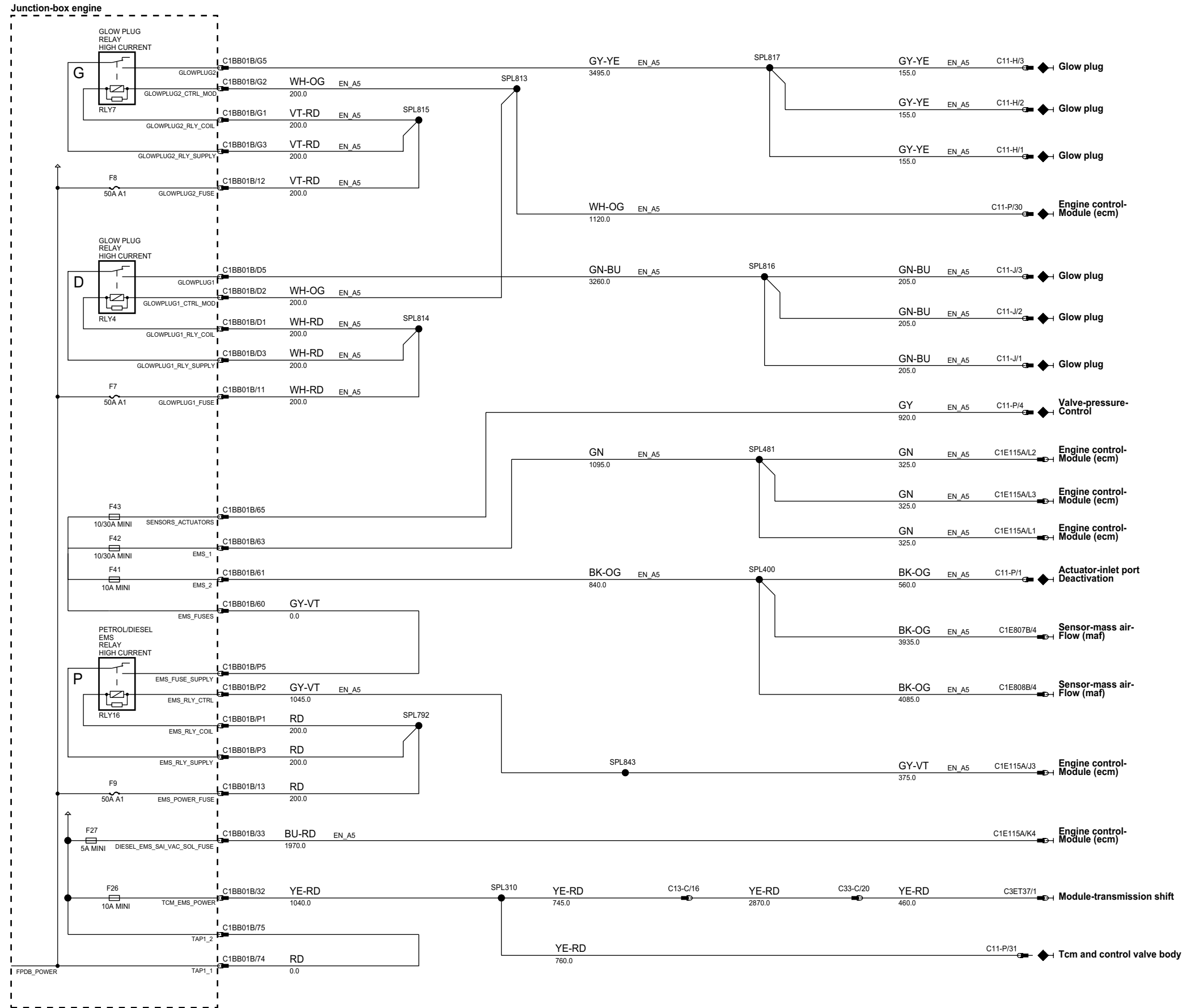
ph883-70010-e-af



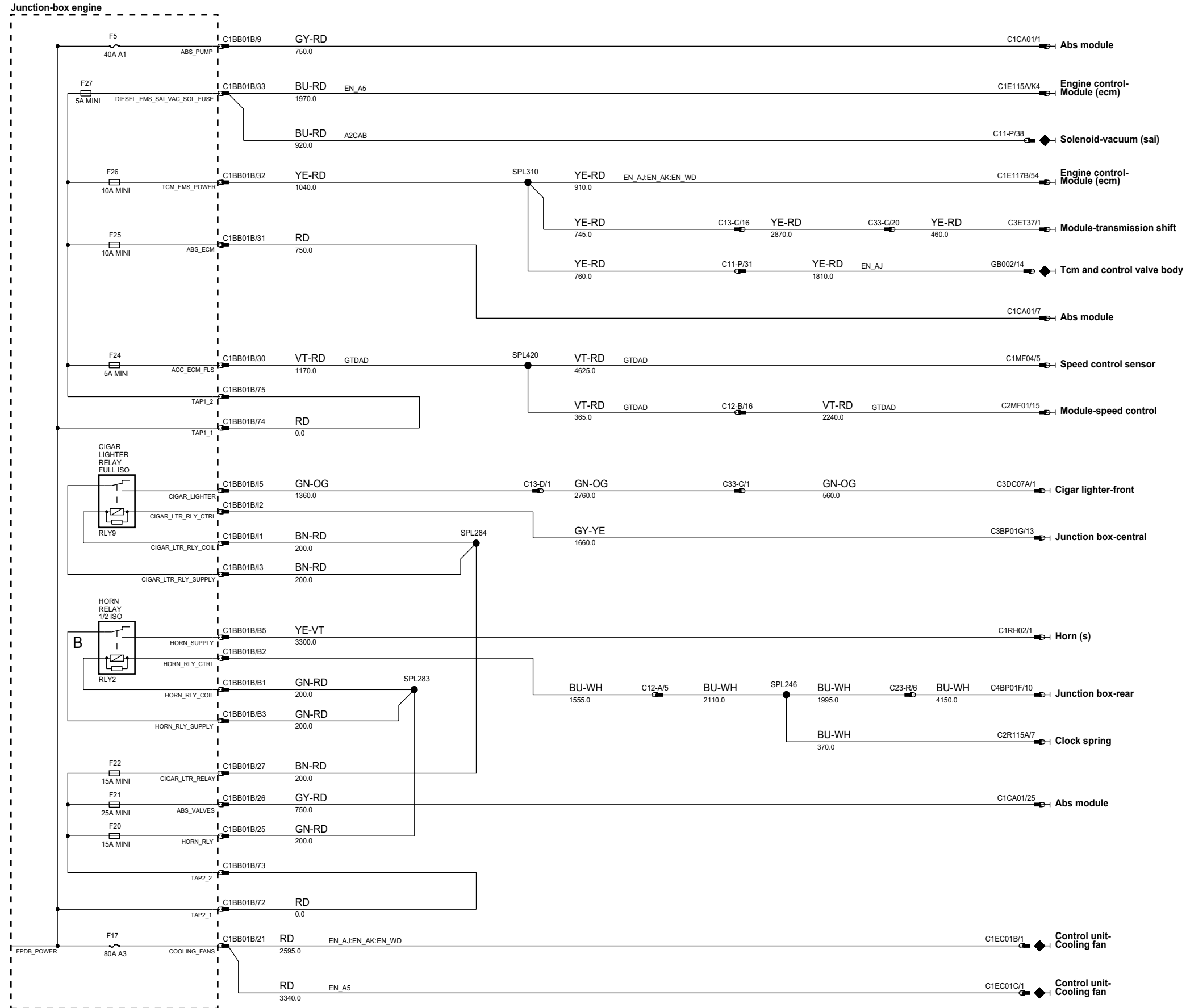
ph883-70010-af



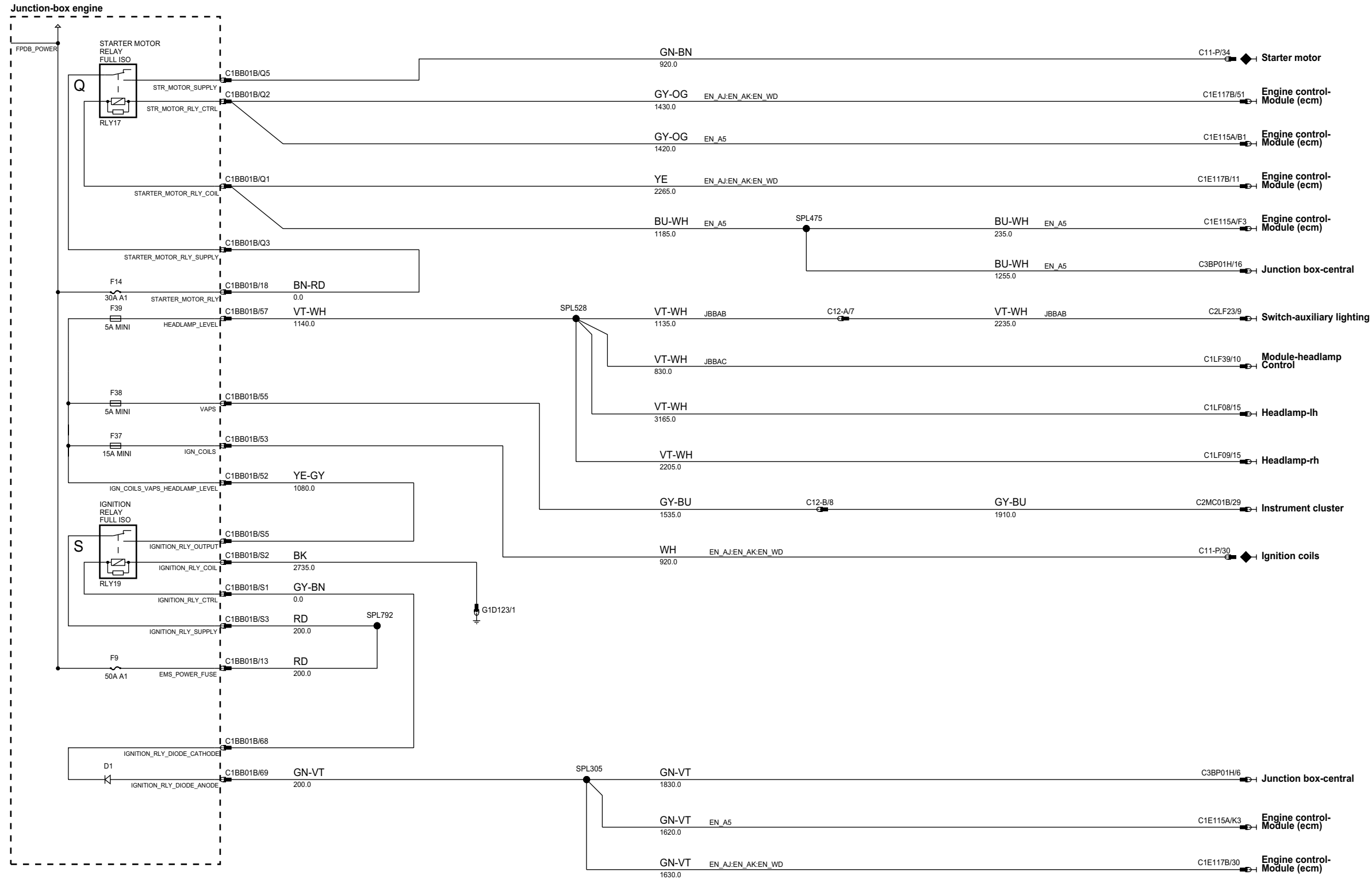
ph83-70010-g-af



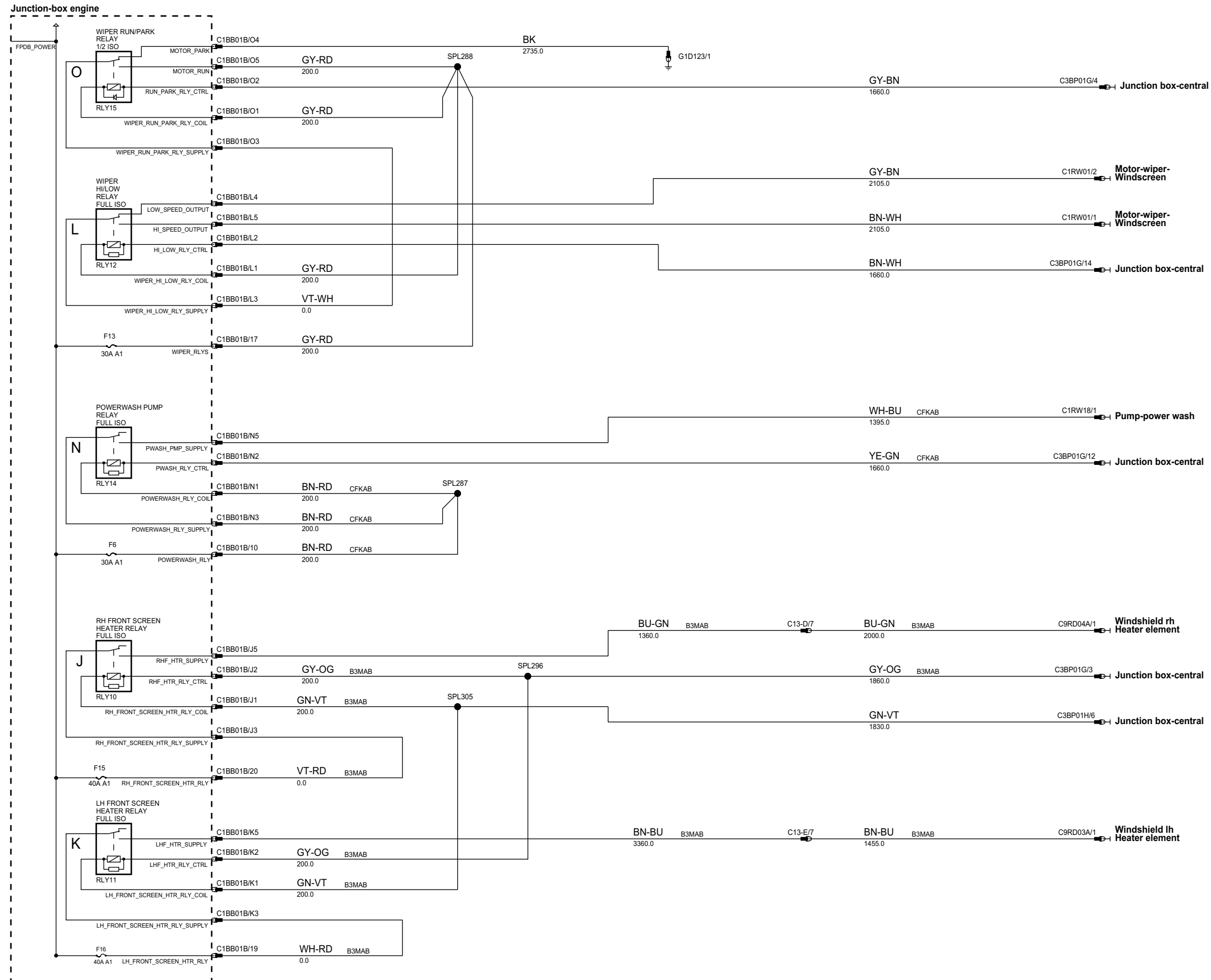
ph8r83-70010-b-af



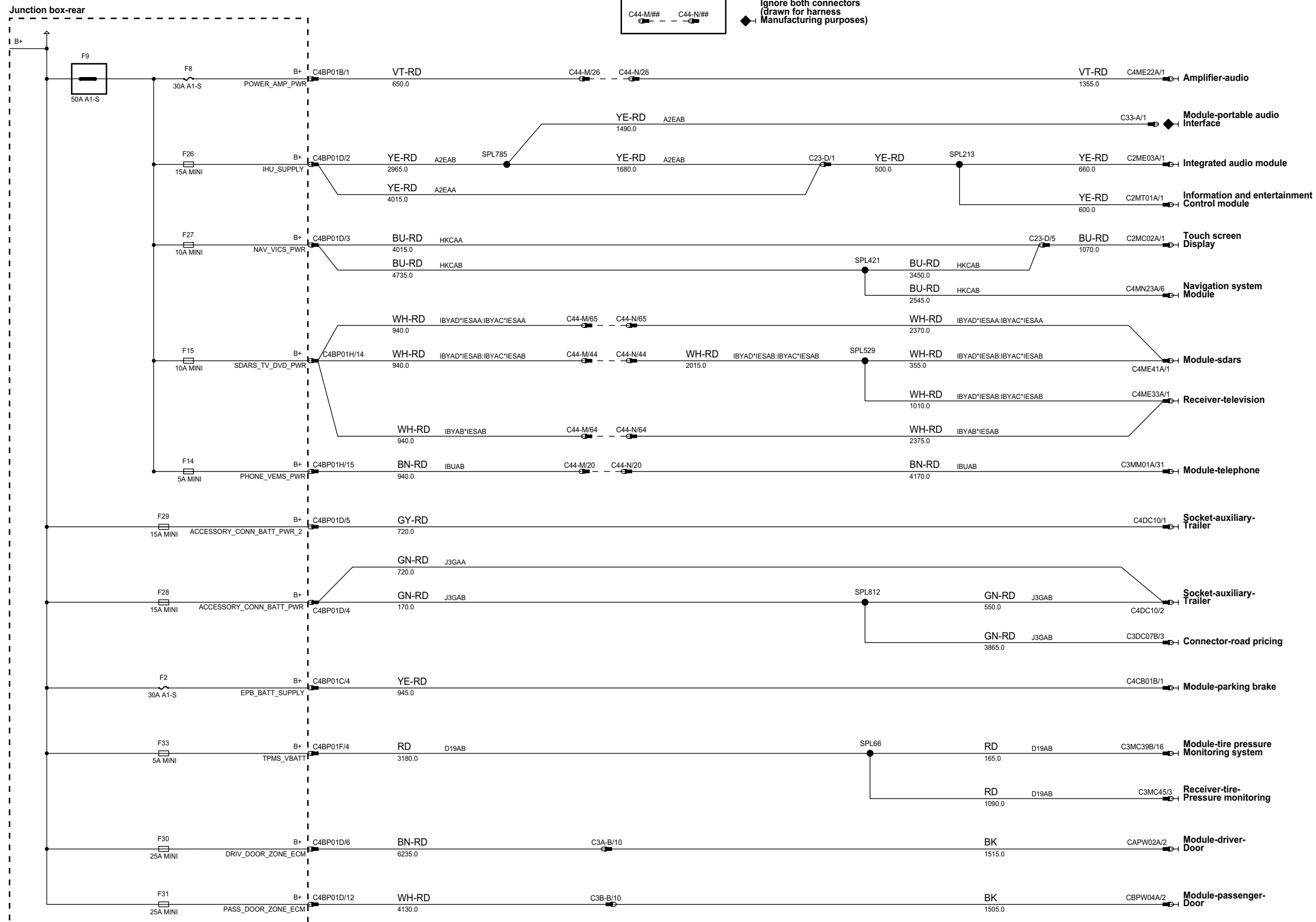
ph83-70010-af



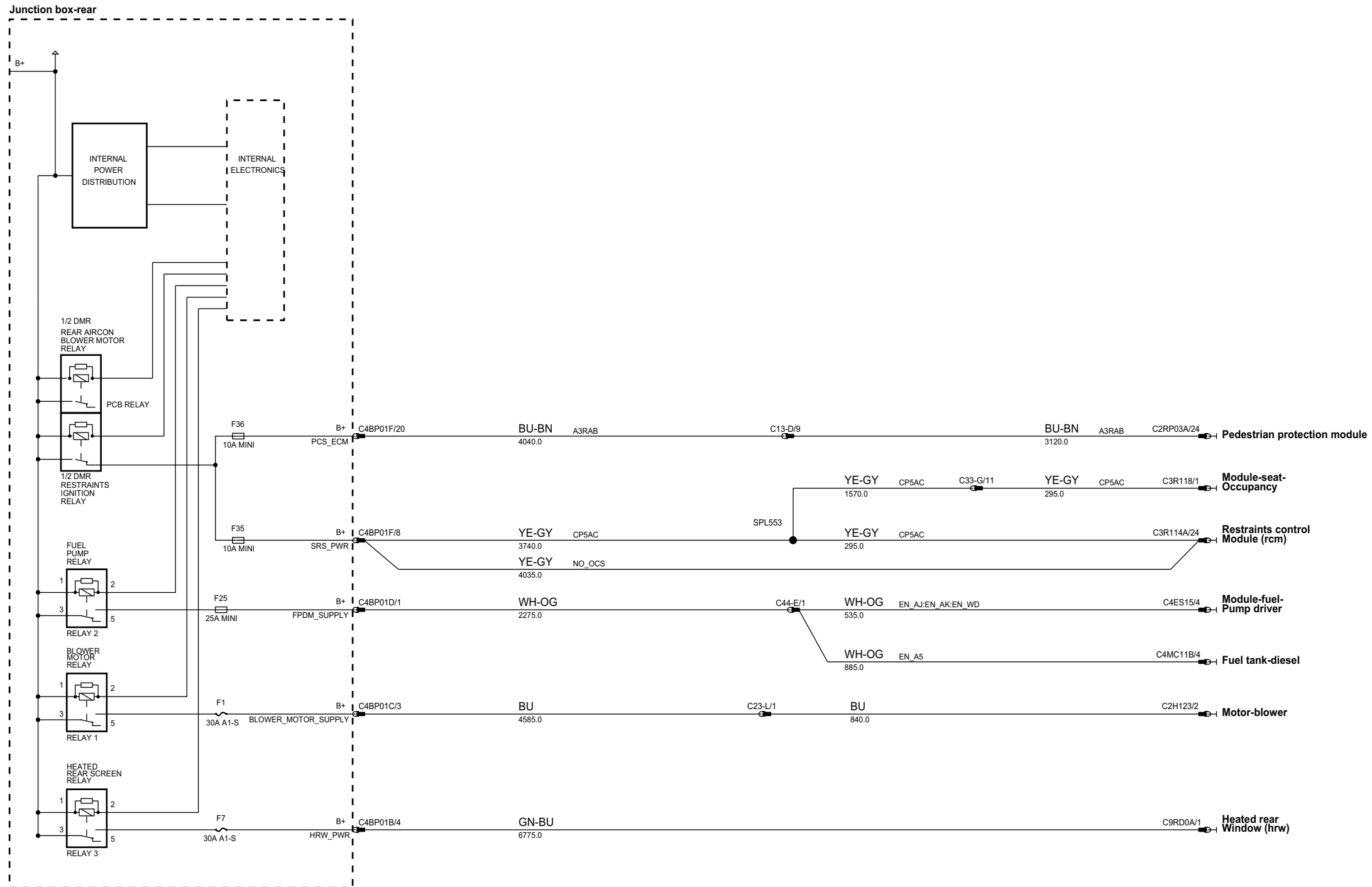
ph883-70010-k-af



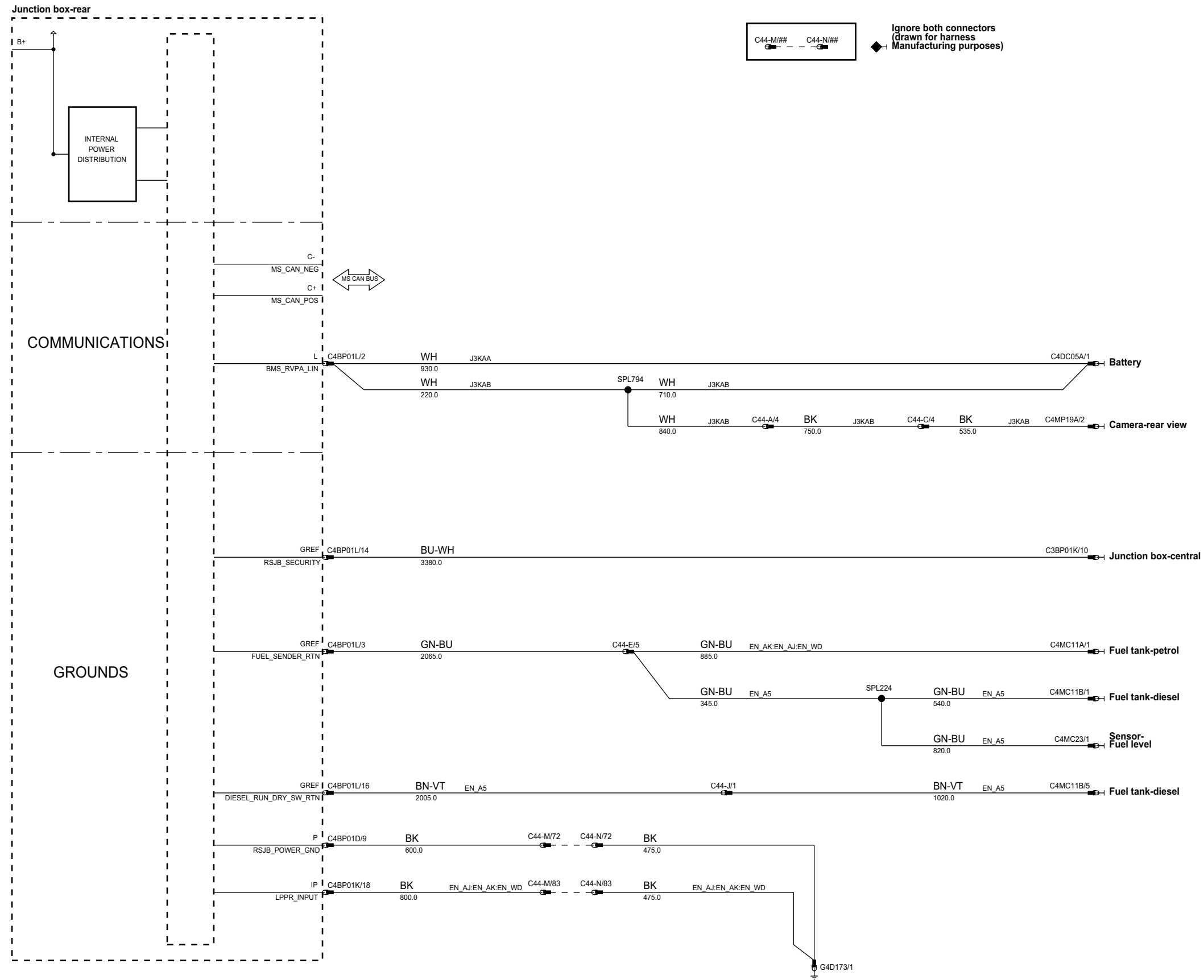
ph8r83-70010+af



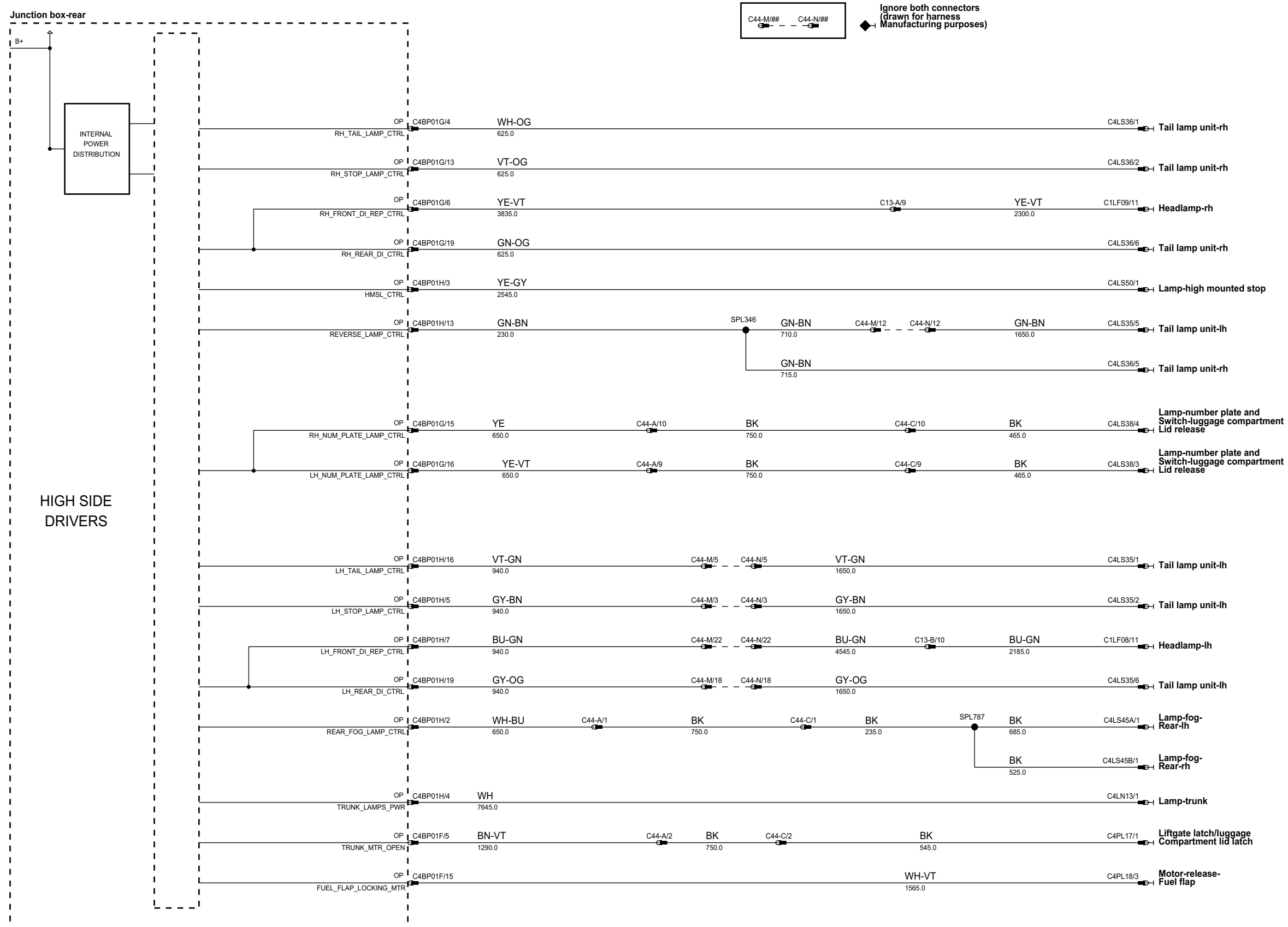
ph8r83-70010-m-af



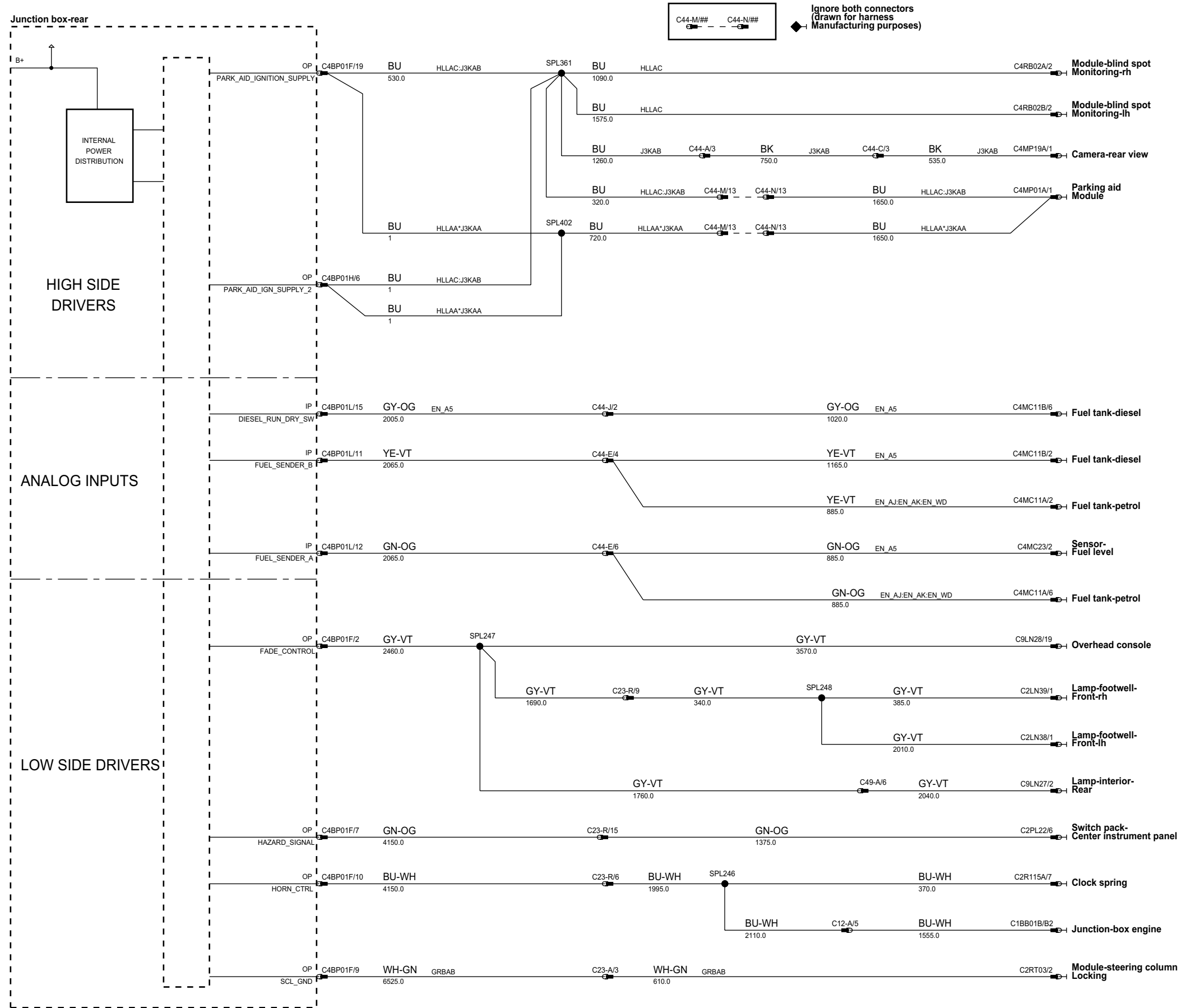
ph8r83-70010-n-af



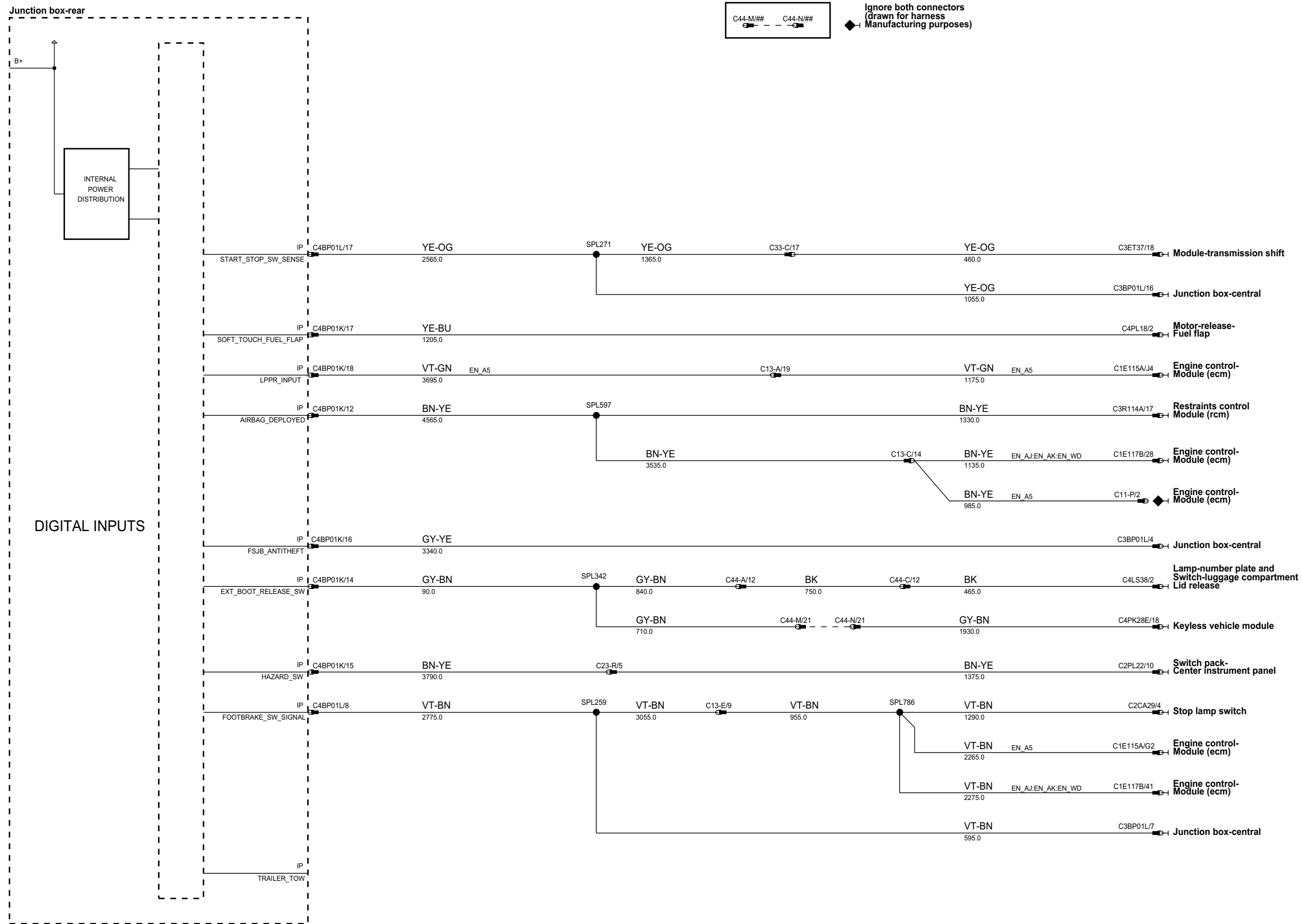
ph883-70010-p-af



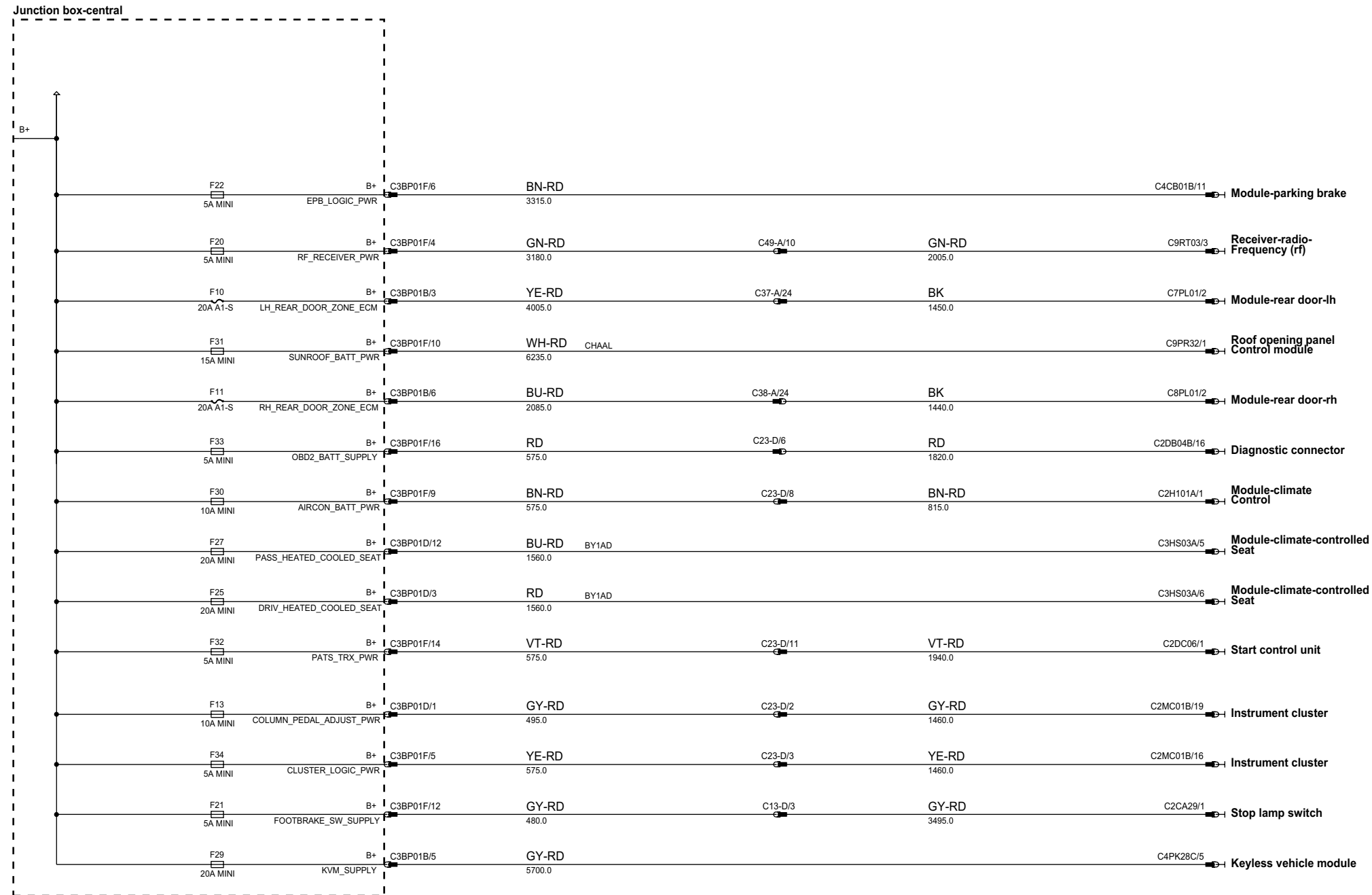
ph8r83-70010-r-af



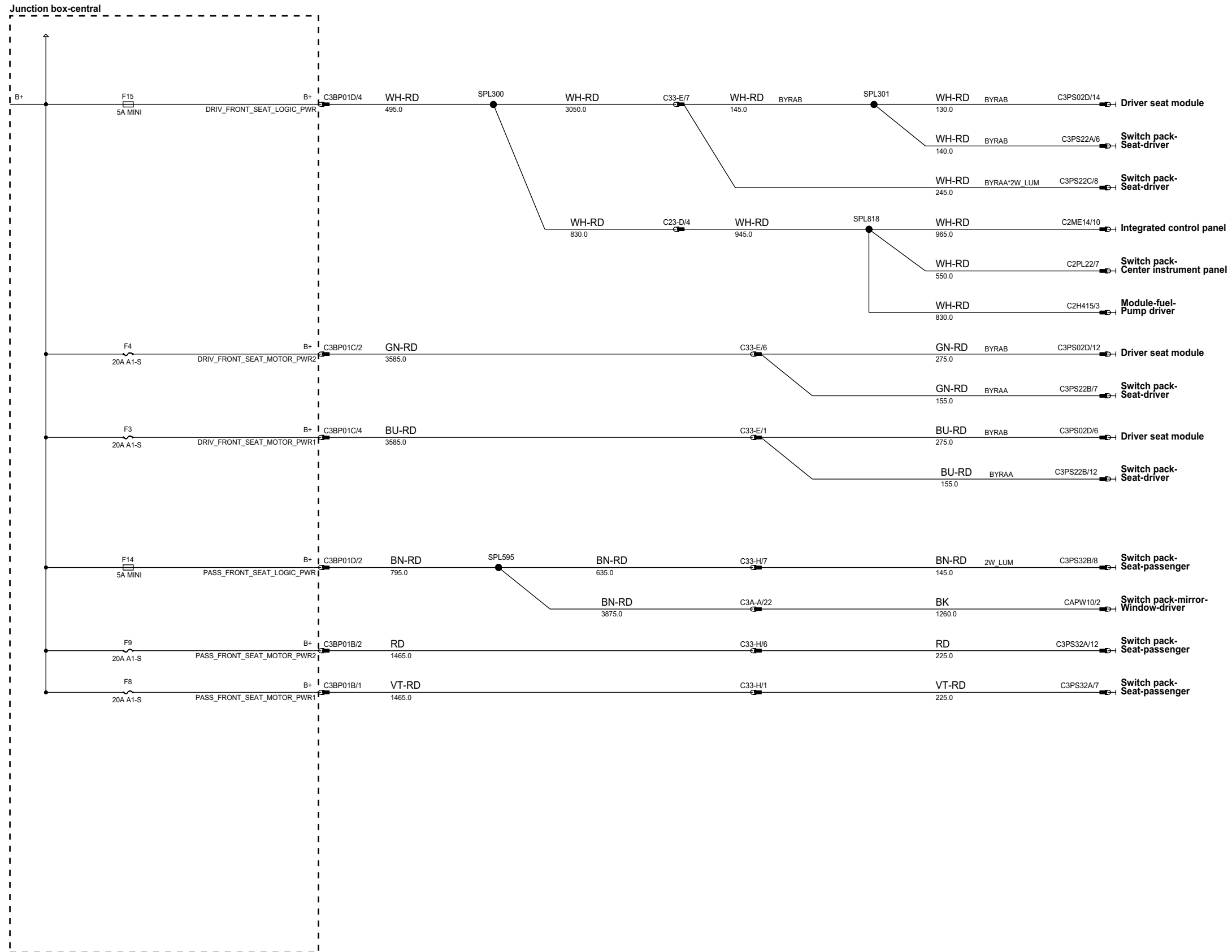
ph8r83-70010-s-af



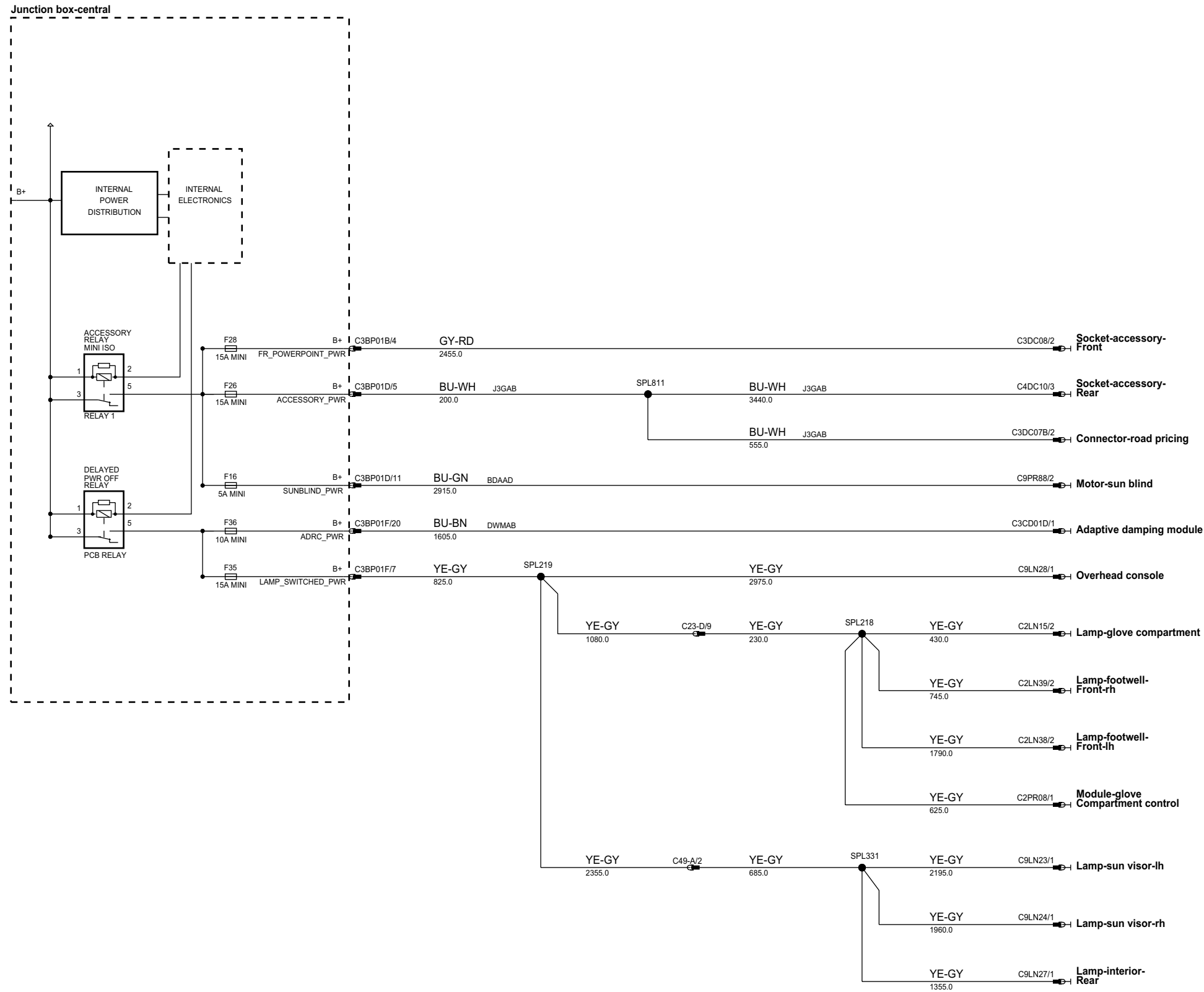
ph863-70010-af



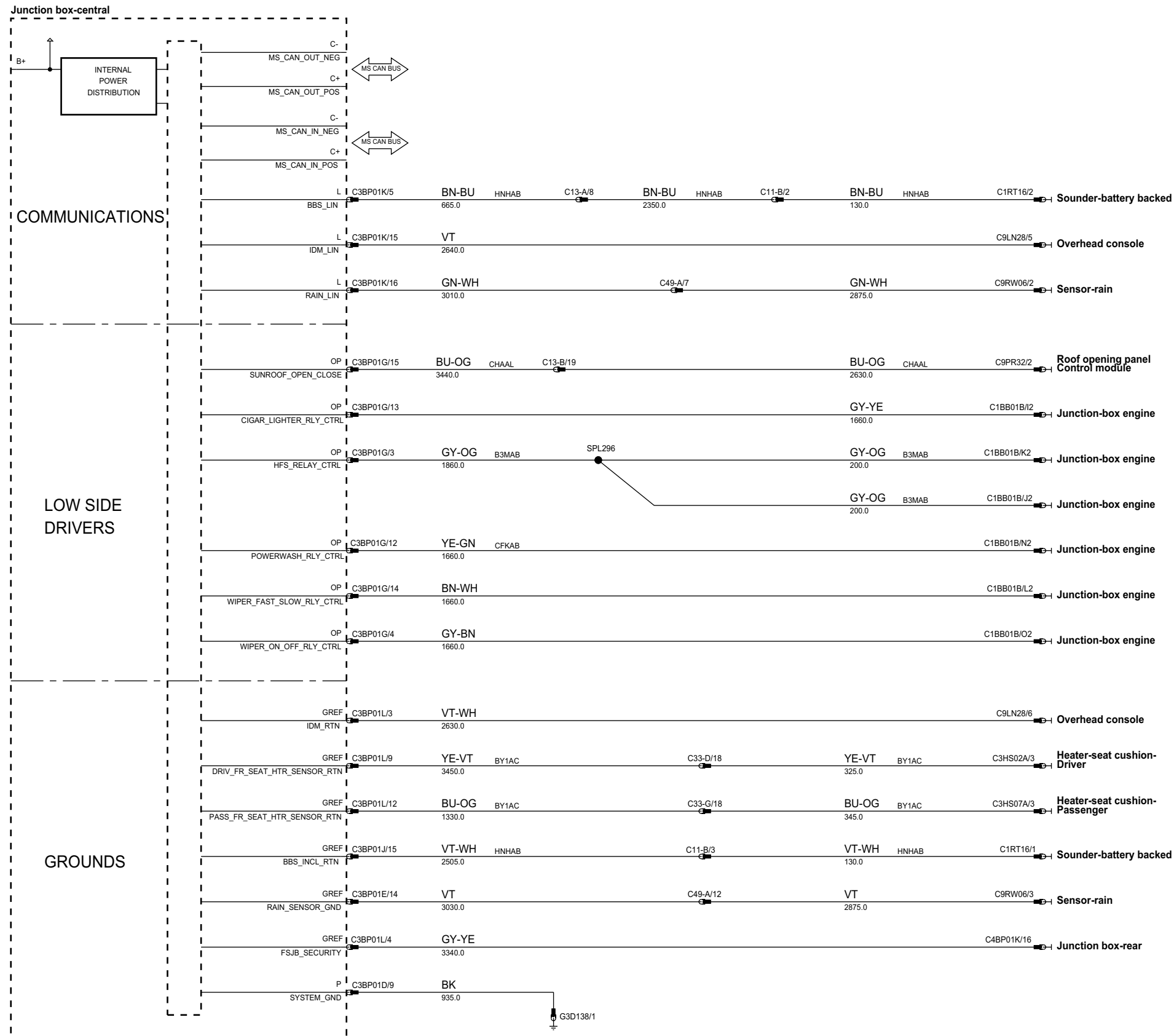
ph8r83-70010-u-af



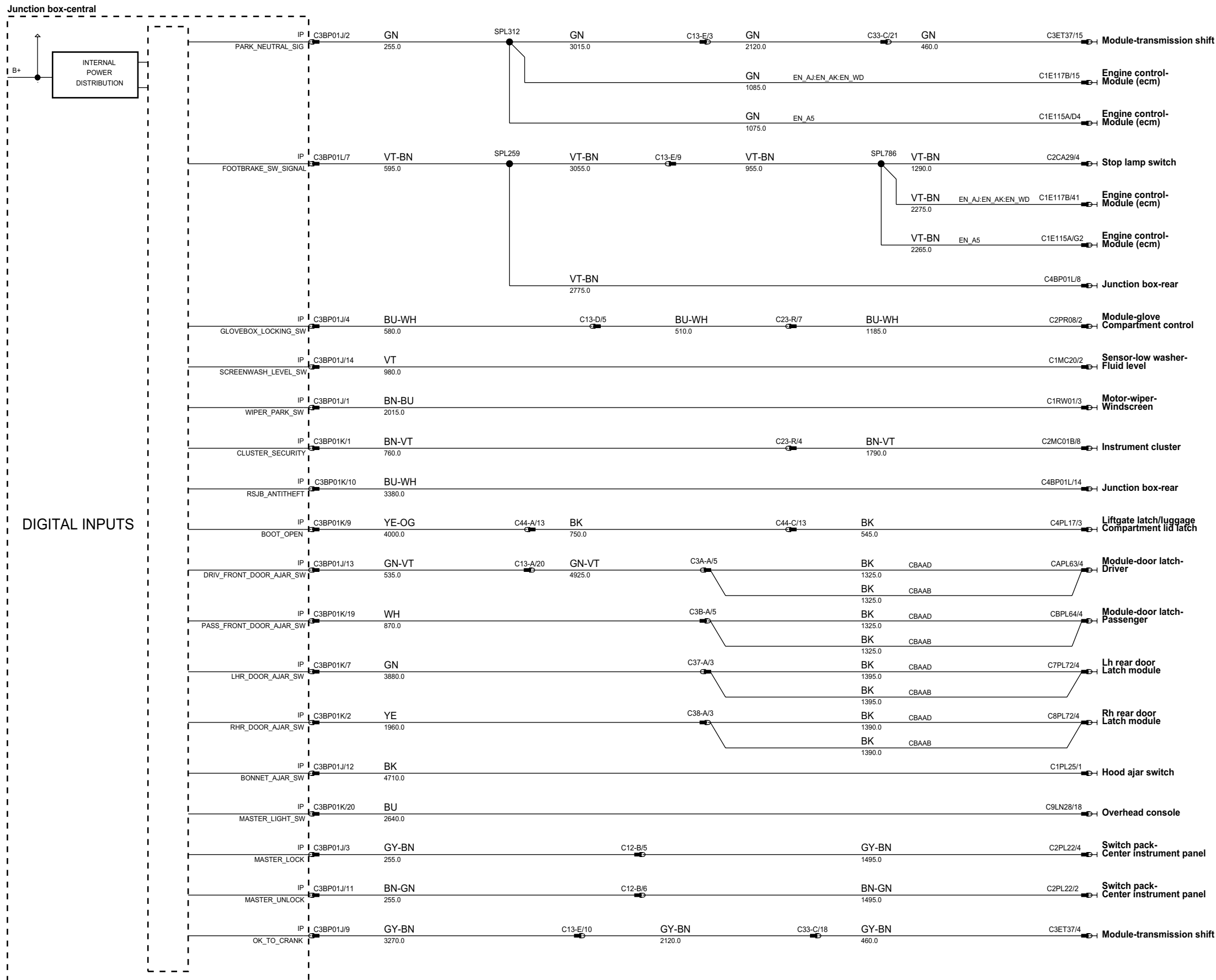
ph8@-70010-v-af



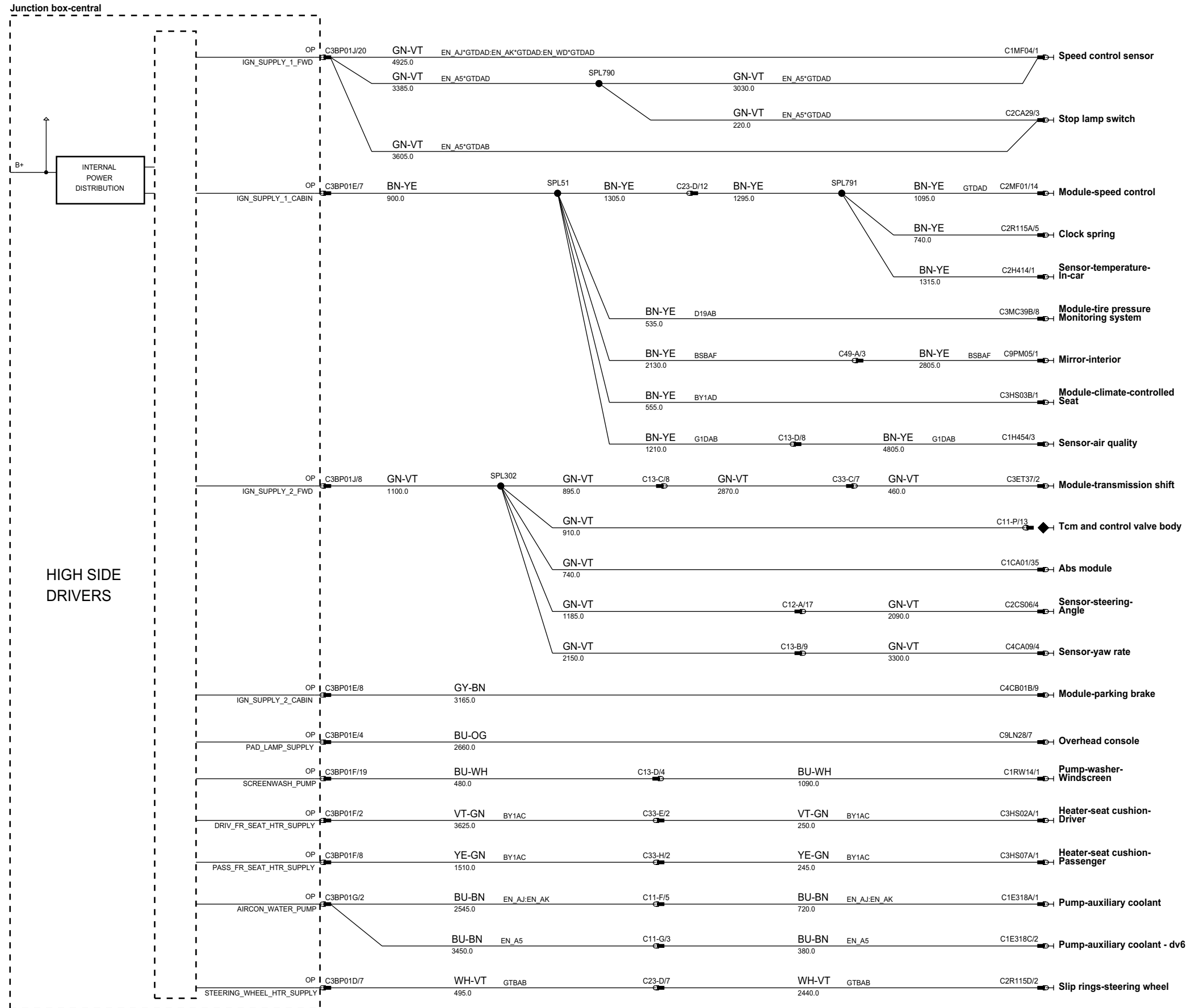
ph8r83-70010-w-af



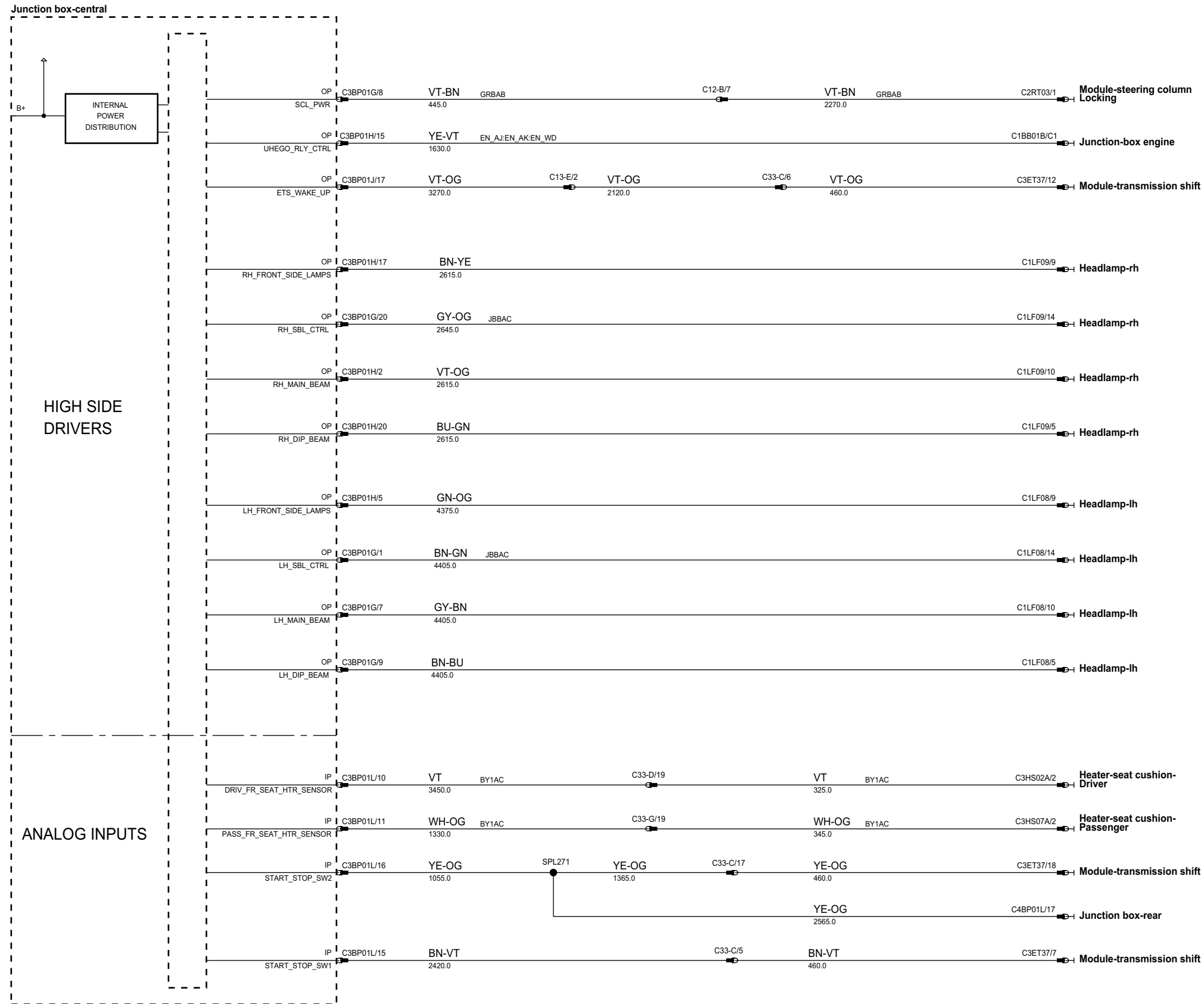
ph863-70010-x-af



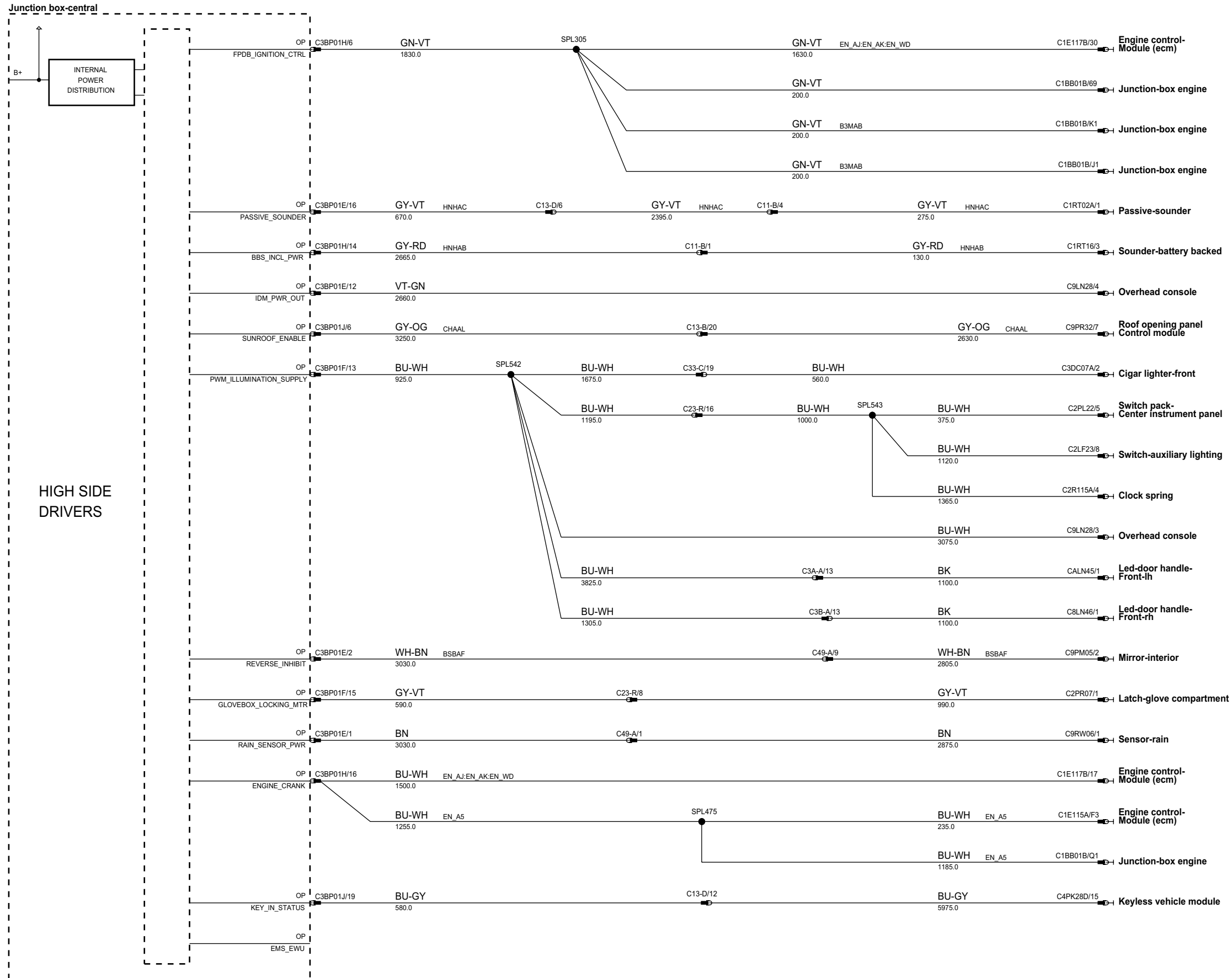
ph8r83-70010-y-af



ph8/83-70010-za-af

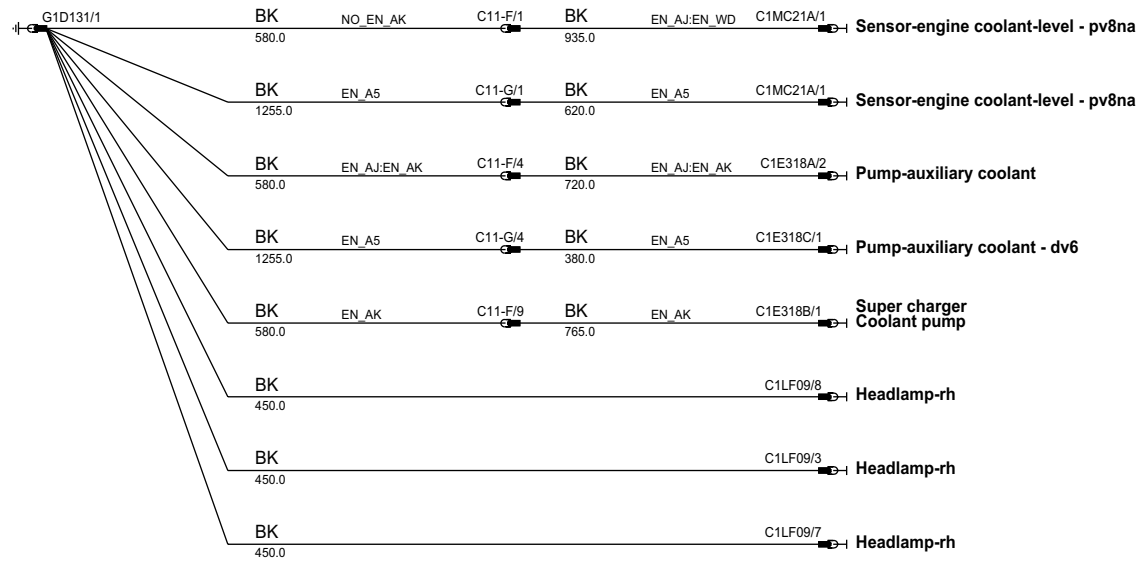


ph8r83-70010-z-af

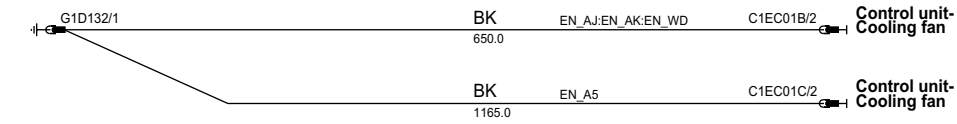


ph8/83-70012-a-af

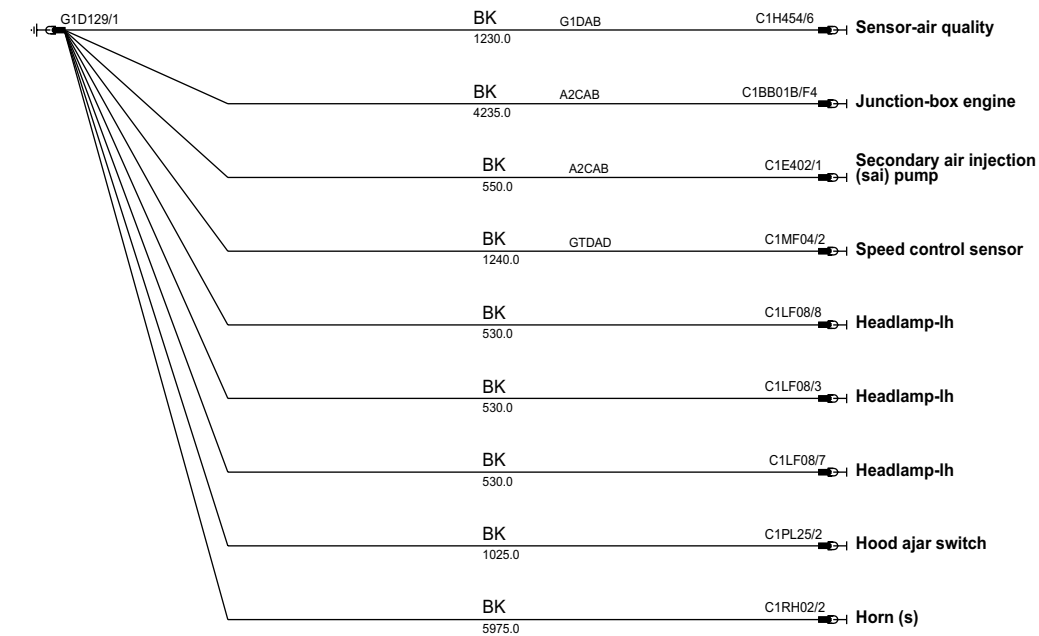
◆ Behind rh headlamp



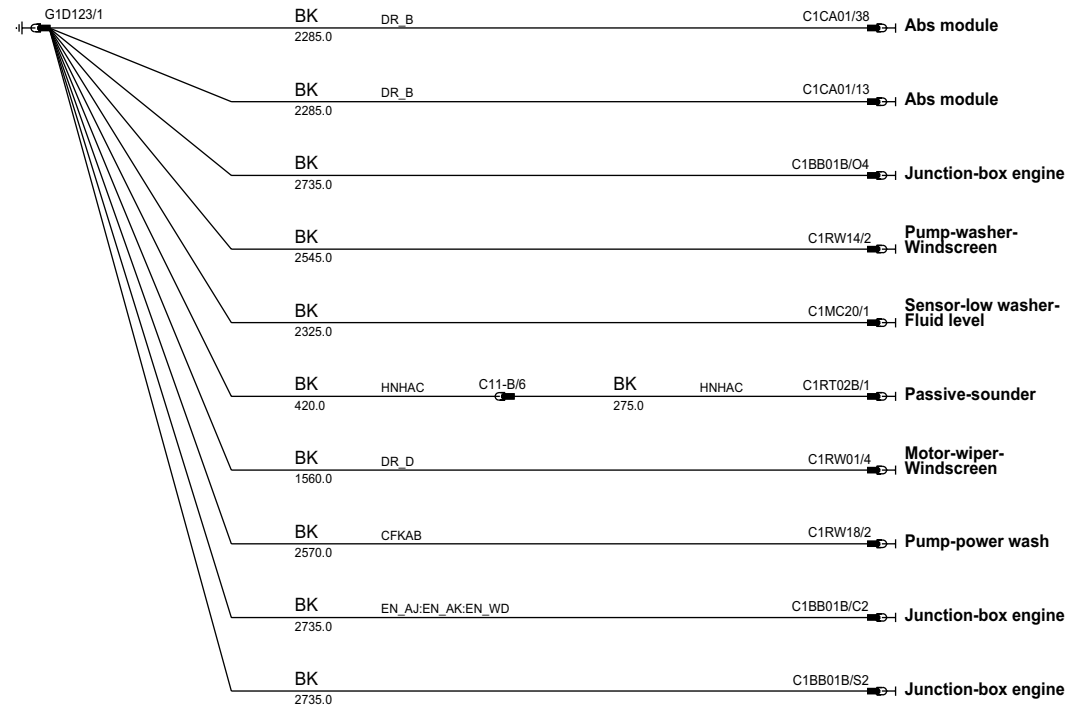
◆ Behind rh headlamp



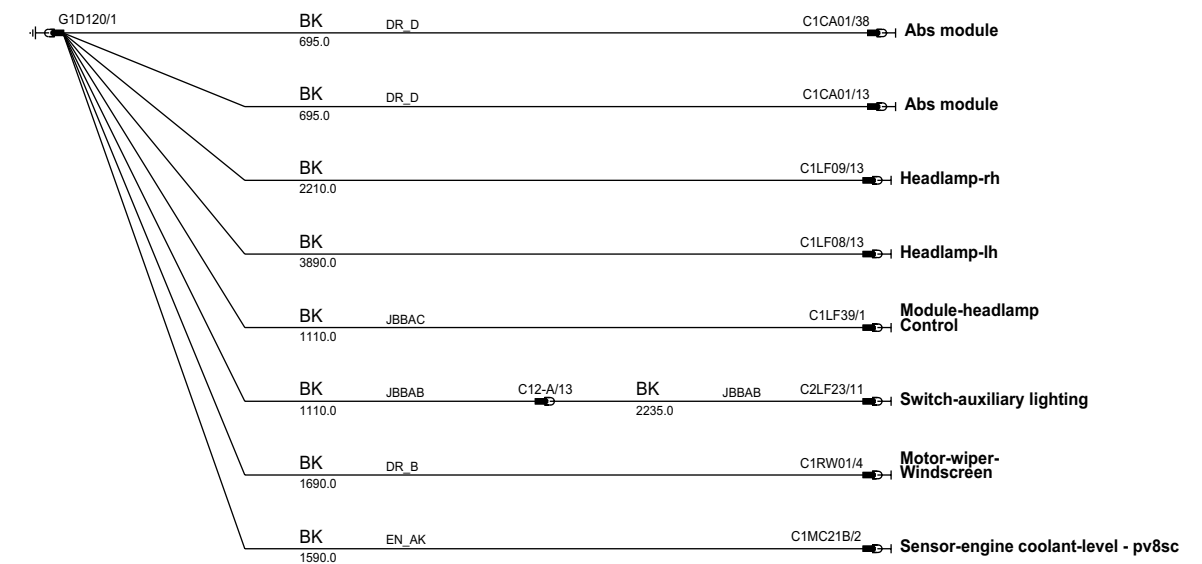
◆ Behind lh headlamp



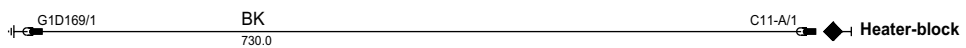
◆ Under hood- Rh inner fender



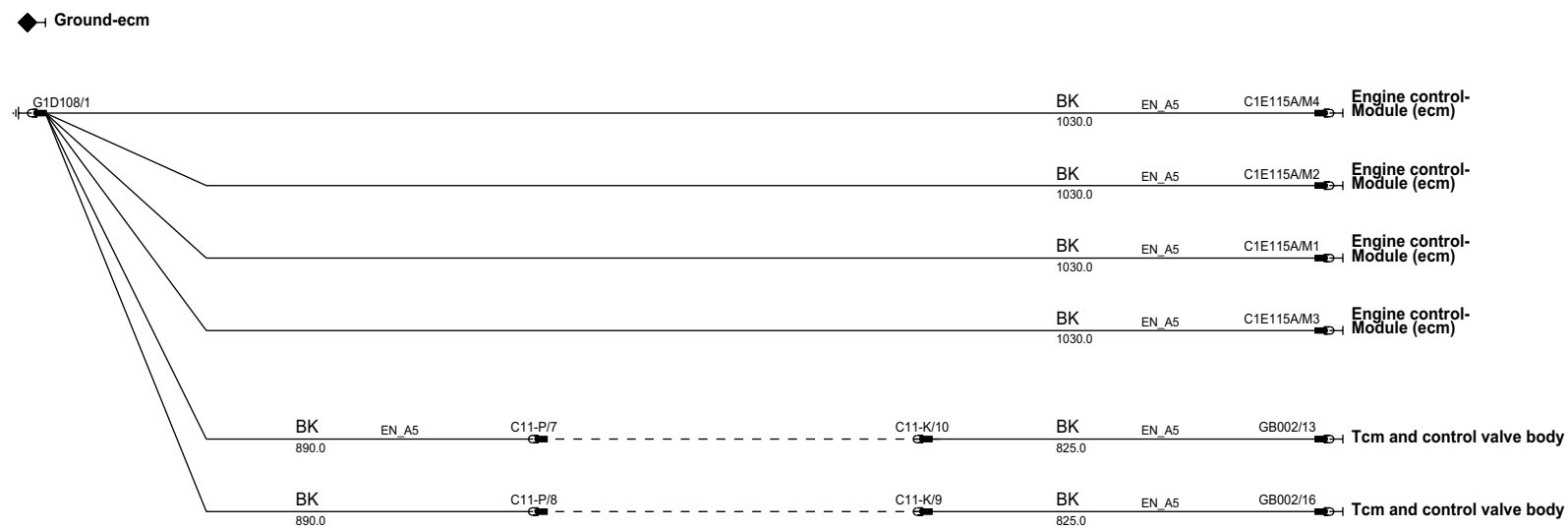
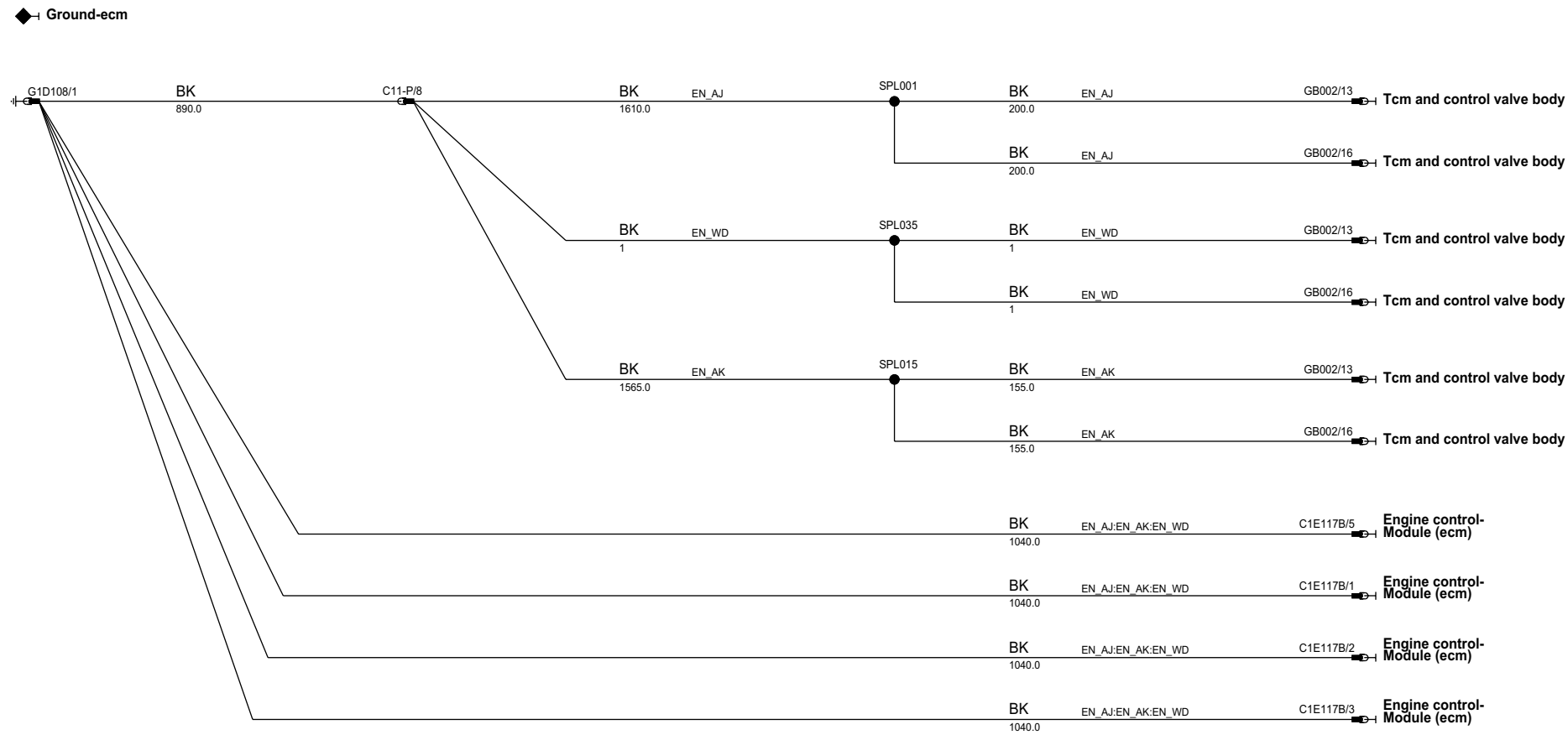
◆ Under hood- Lh inner fender



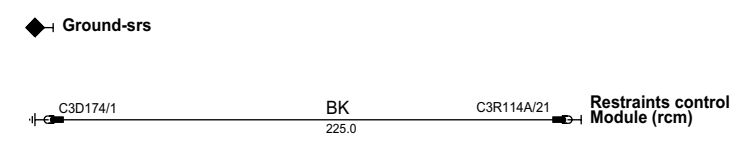
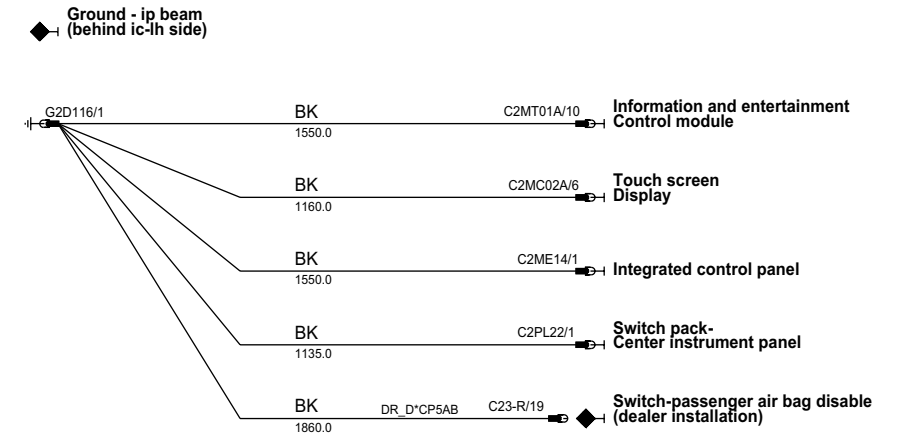
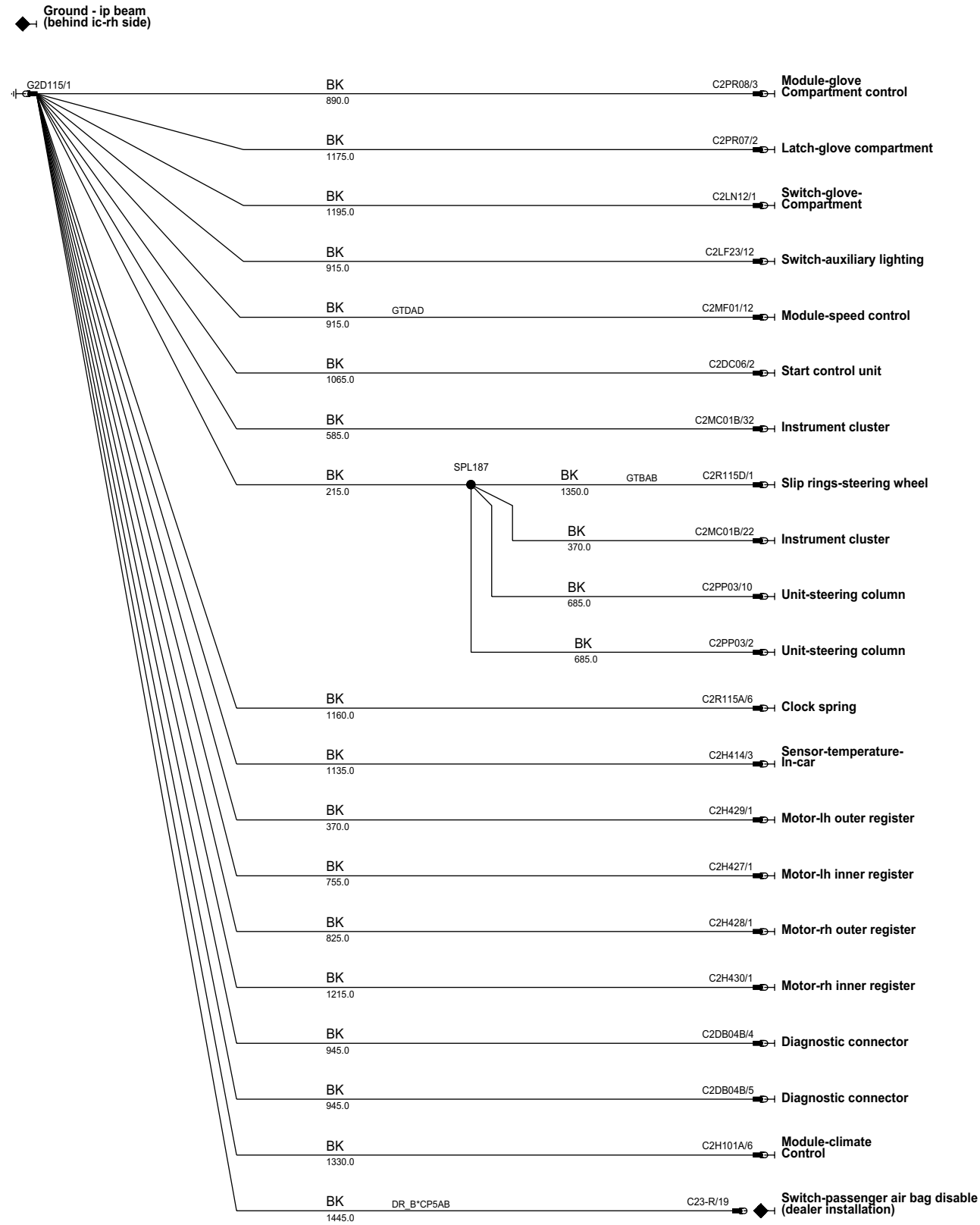
◆ Ground-heater-block



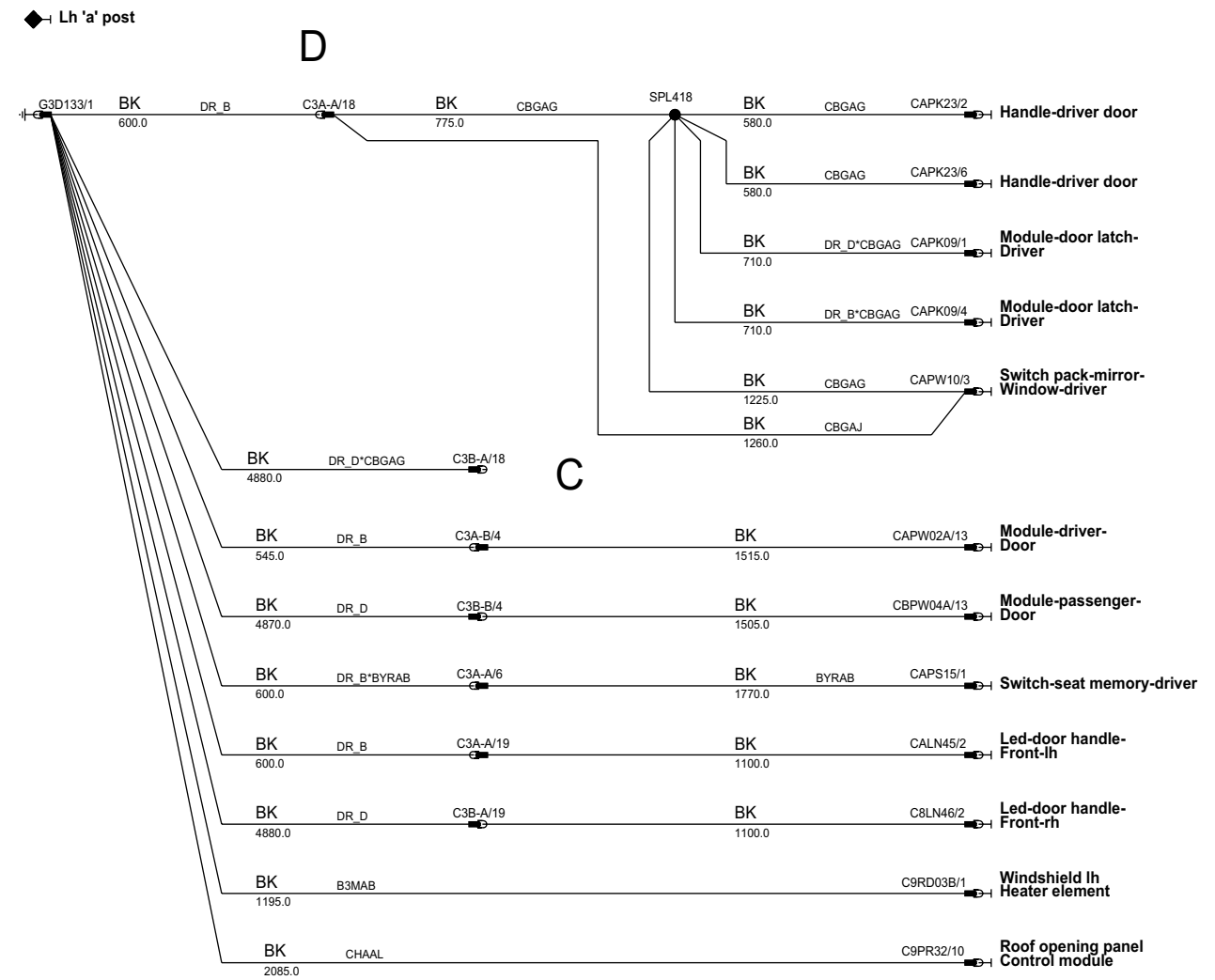
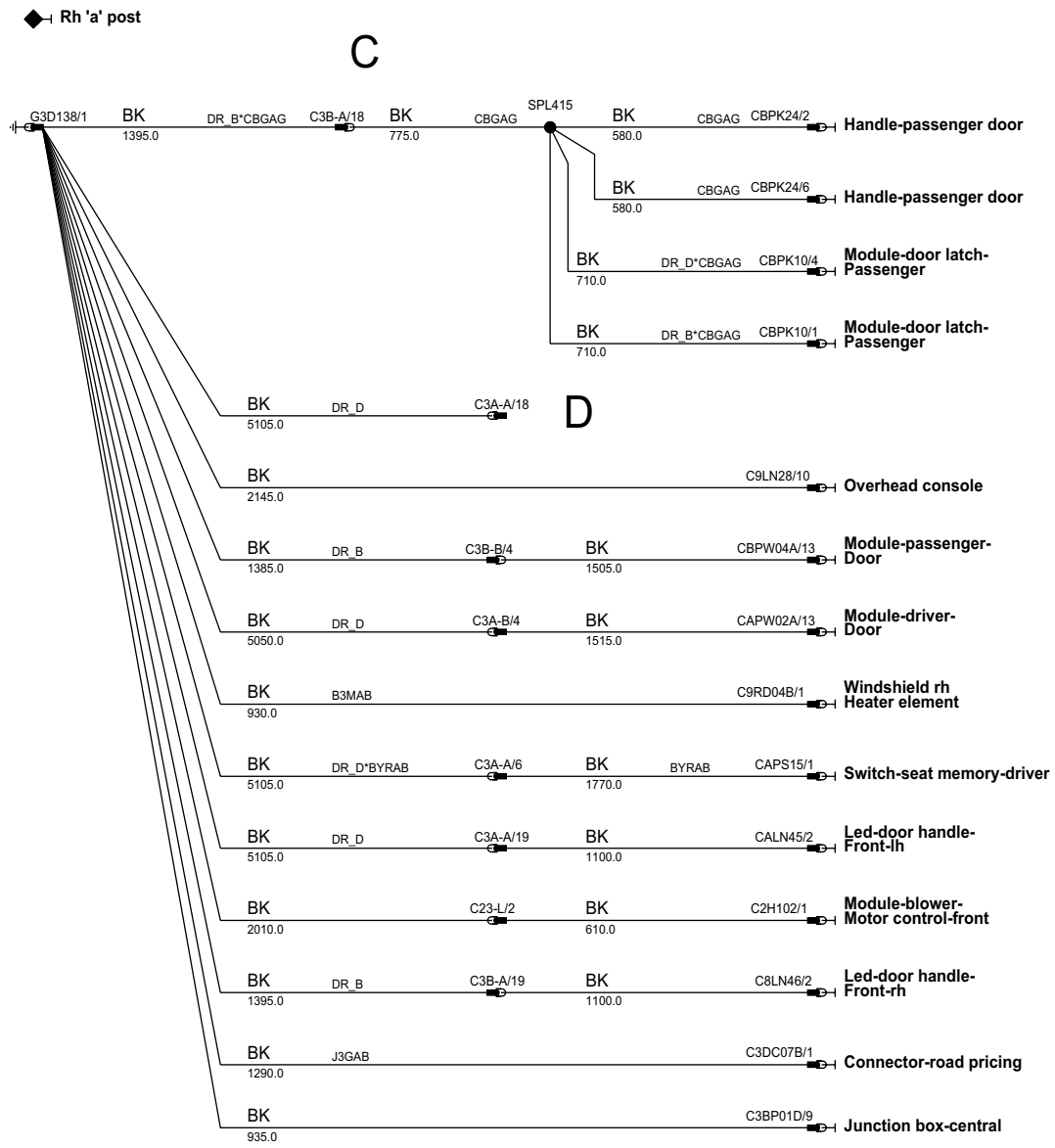
ph8r83-70012-b-af



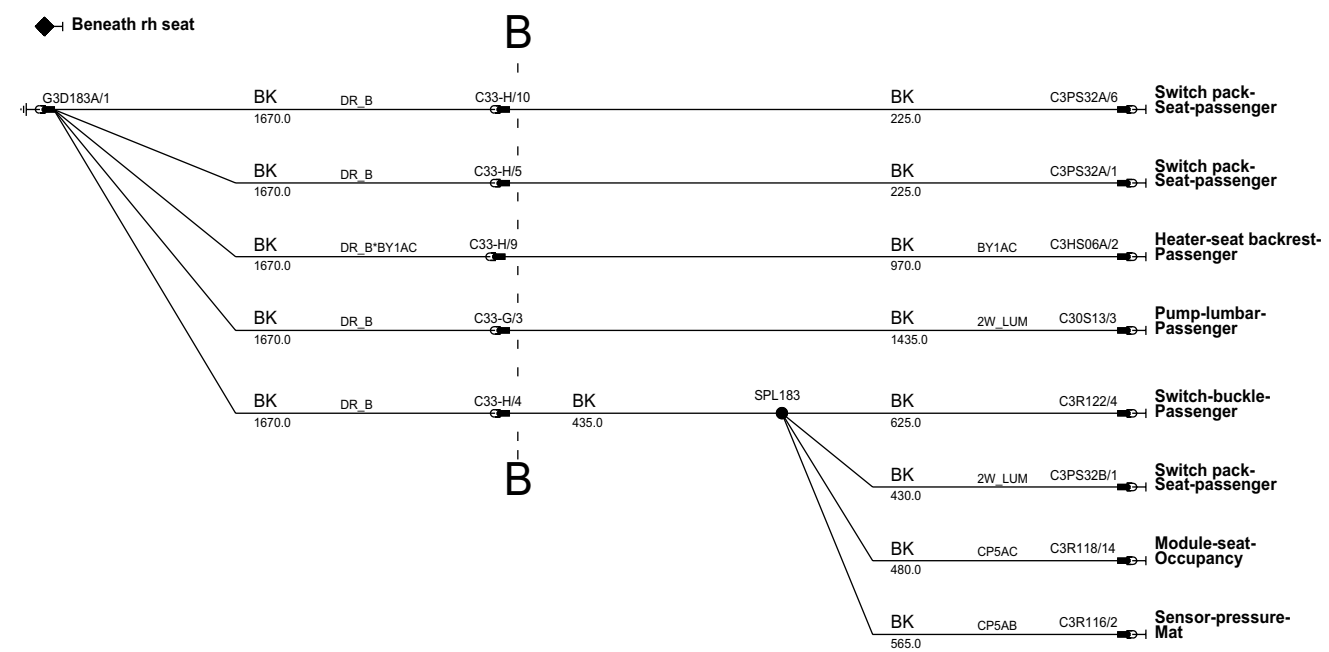
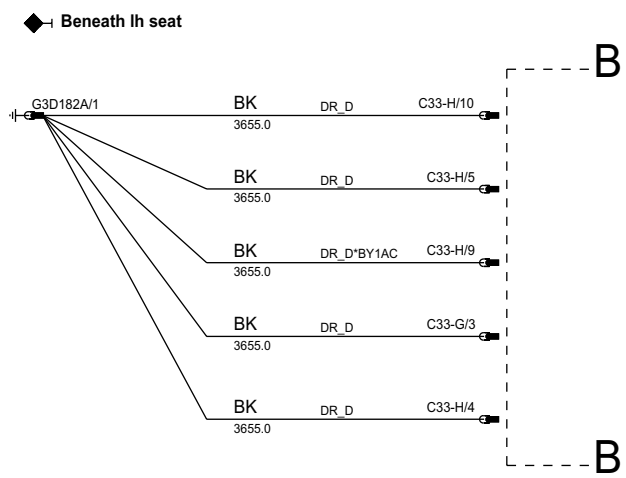
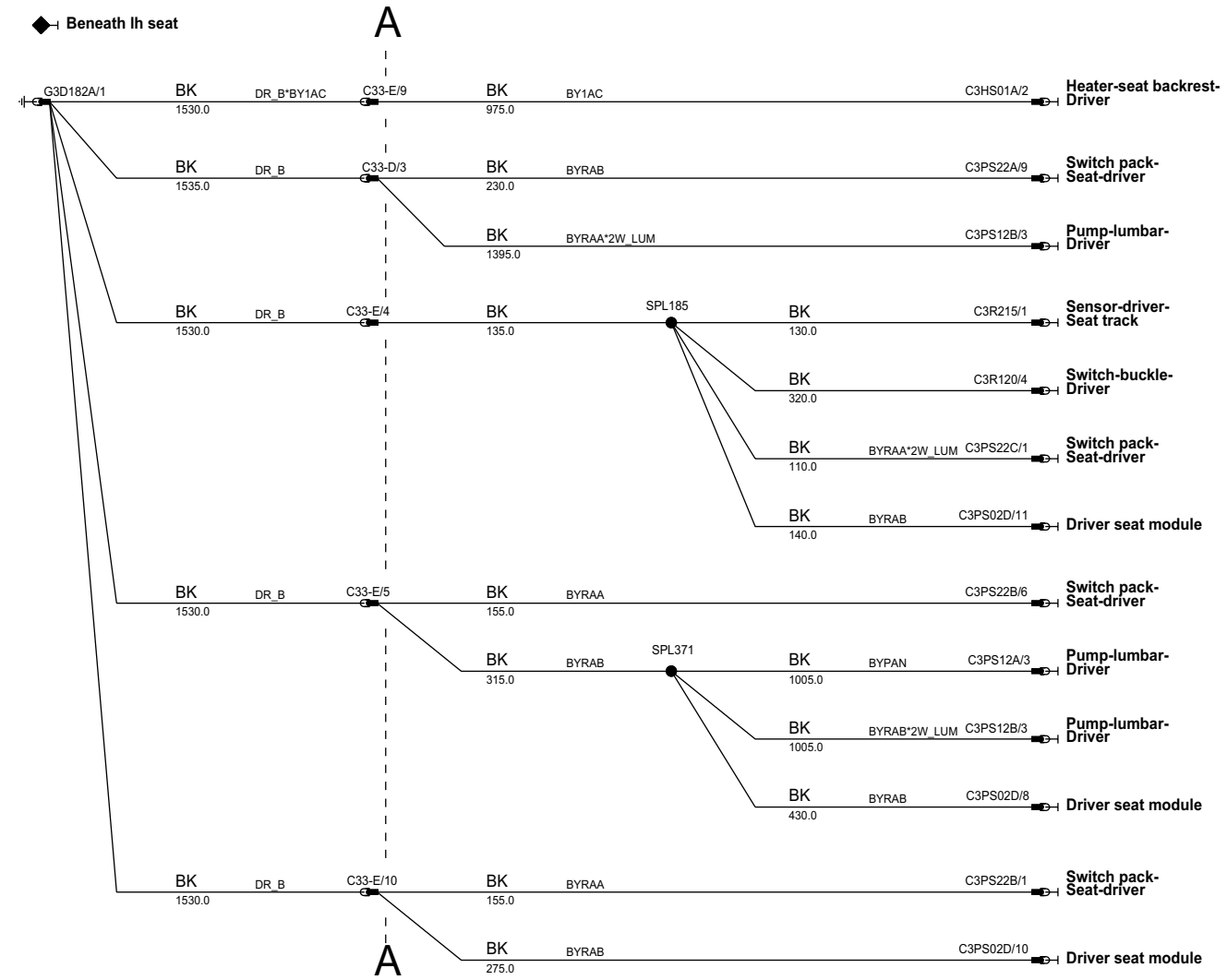
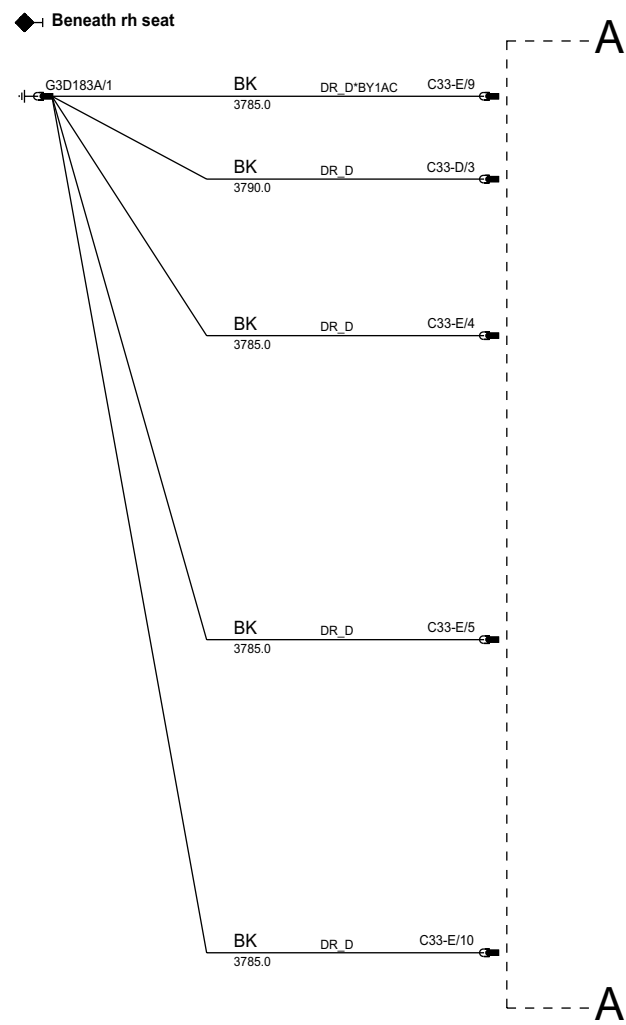
ph883-70012-c-af



ph8r83-70012-d-af

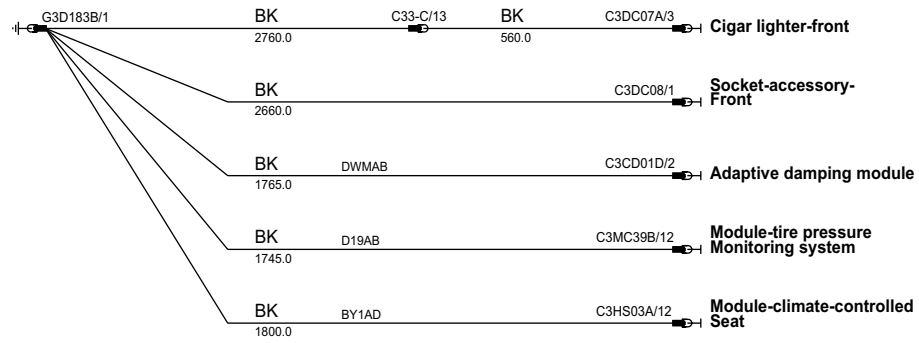


ph8r83-70012-e-af

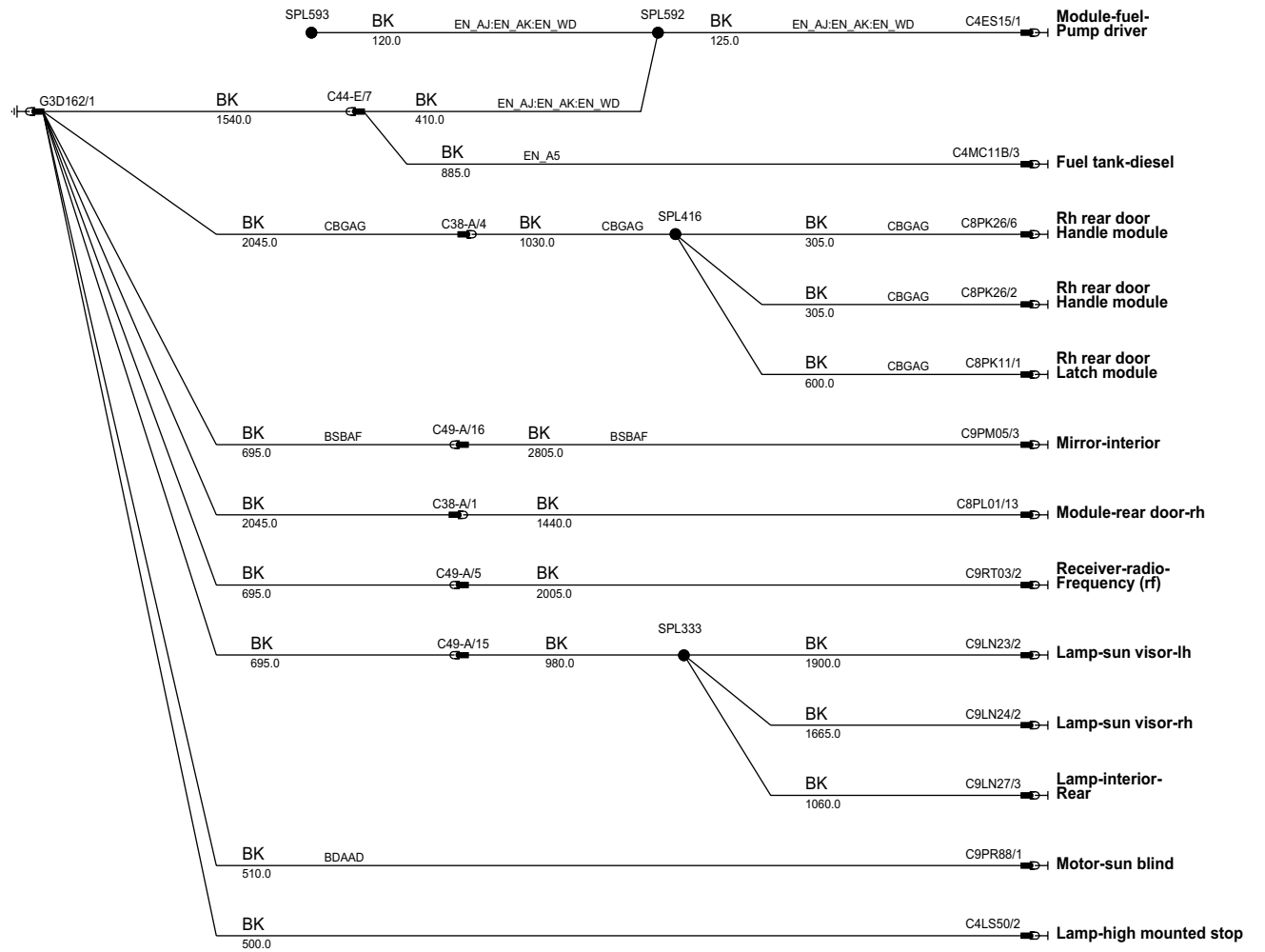


ph8r83-700124-af

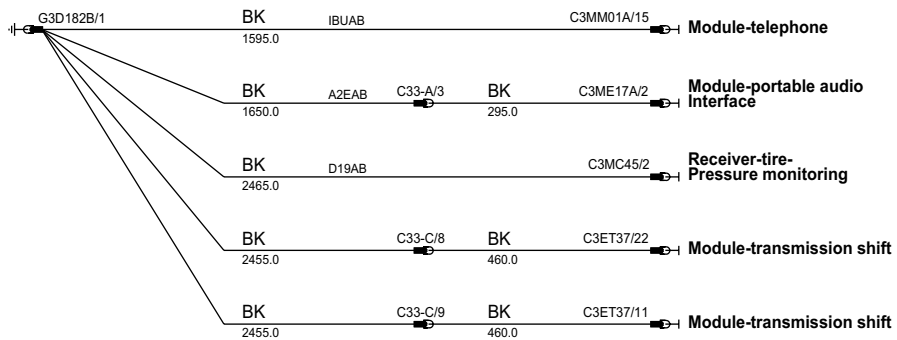
◆ Beneath rh seat



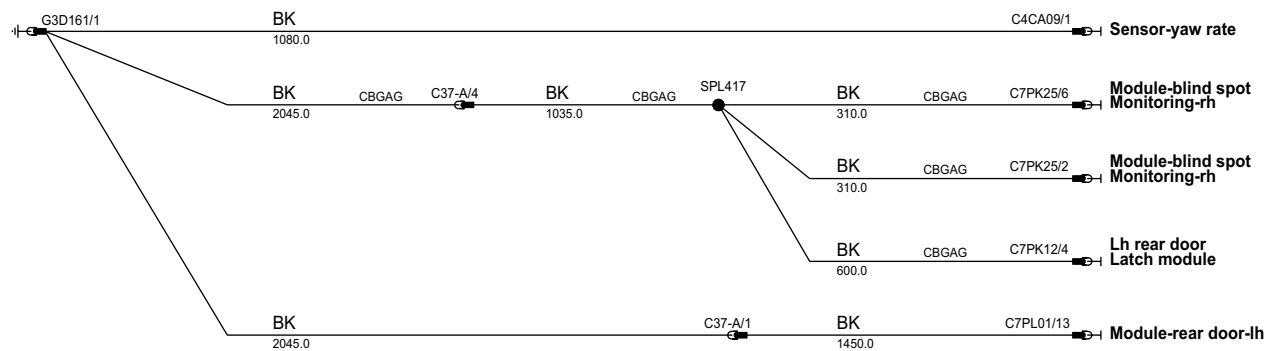
◆ Seatback-rear-rh



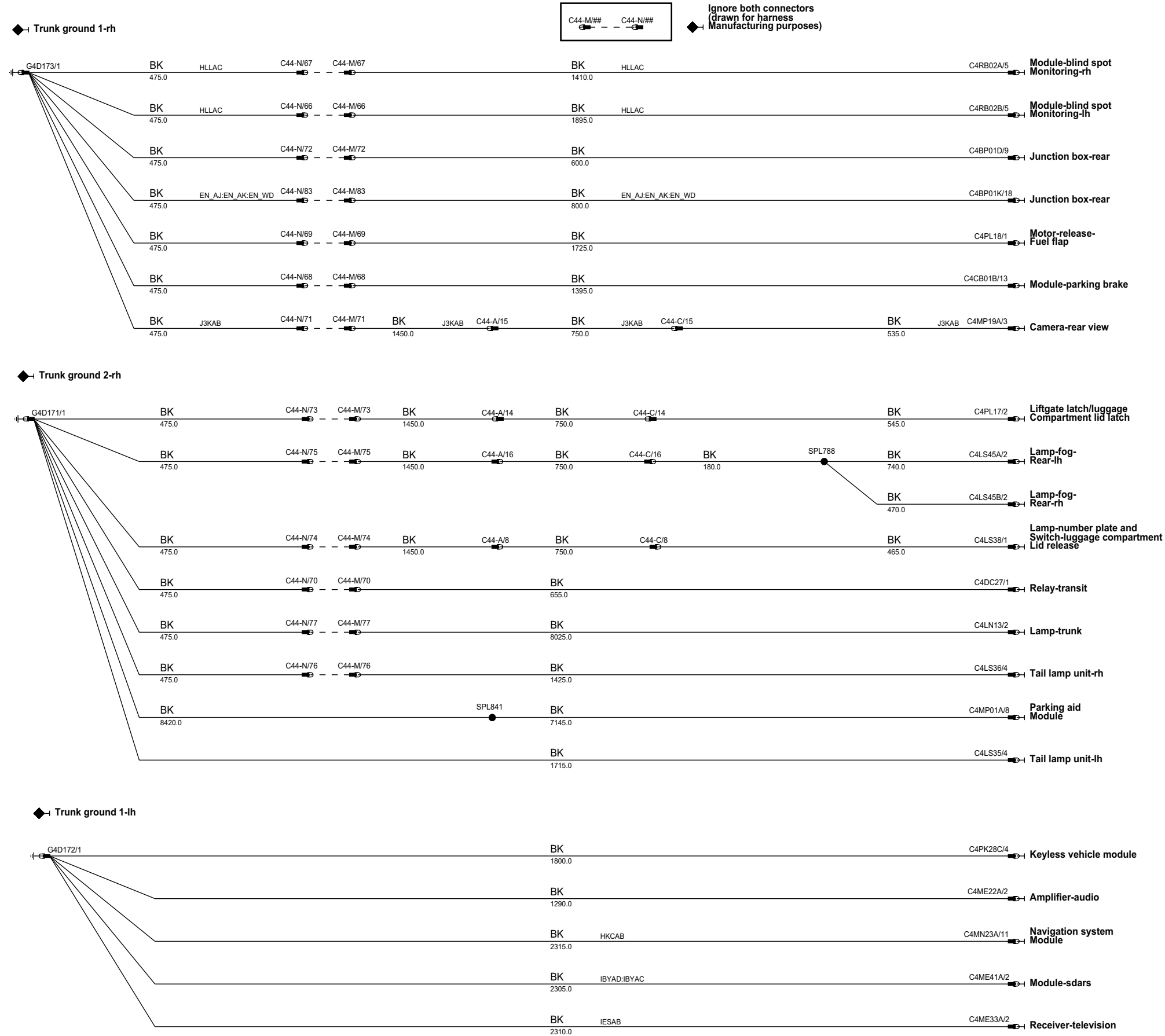
◆ Beneath lh seat



◆ Seatback-rear-lh



ph883-70012-g-af

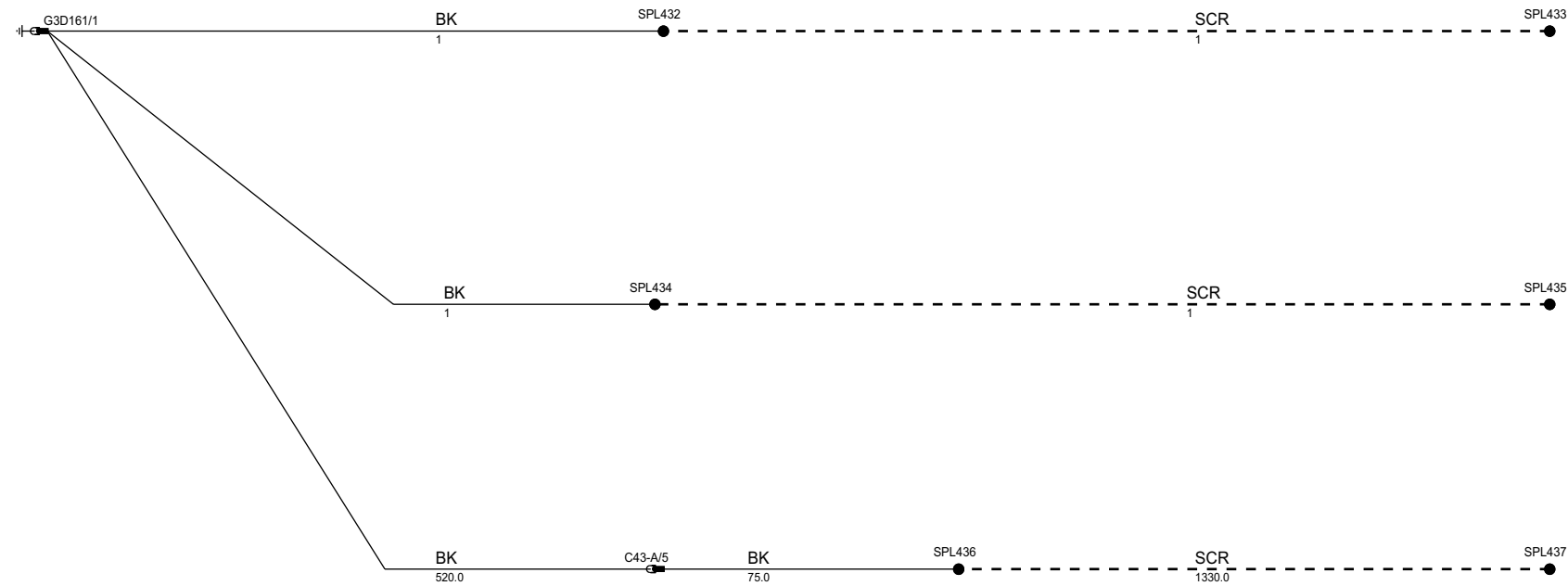


ph8r63-70012-h-af

◆ Seatback-rear-rh

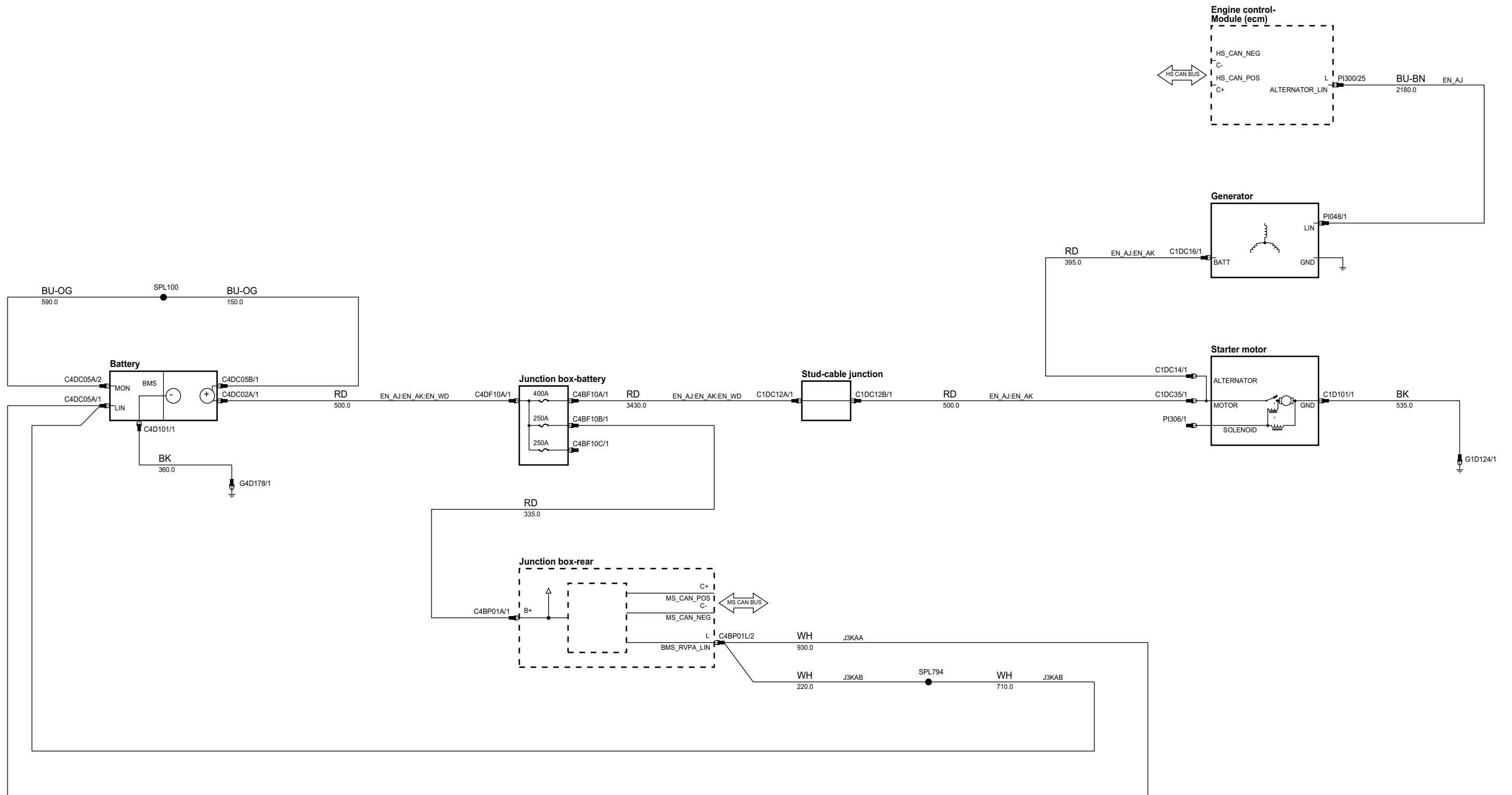


◆ Seatback-rear-lh

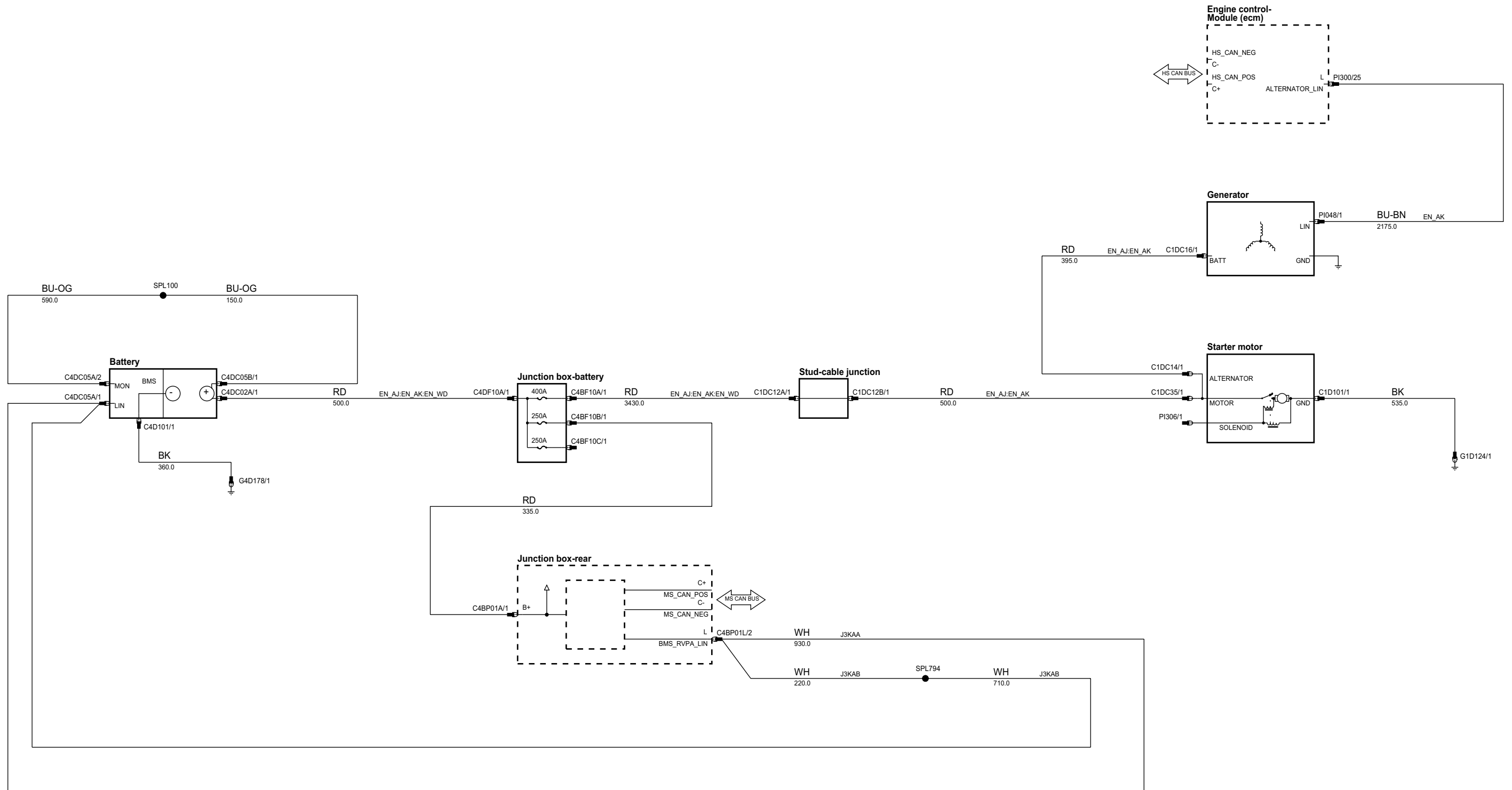


x

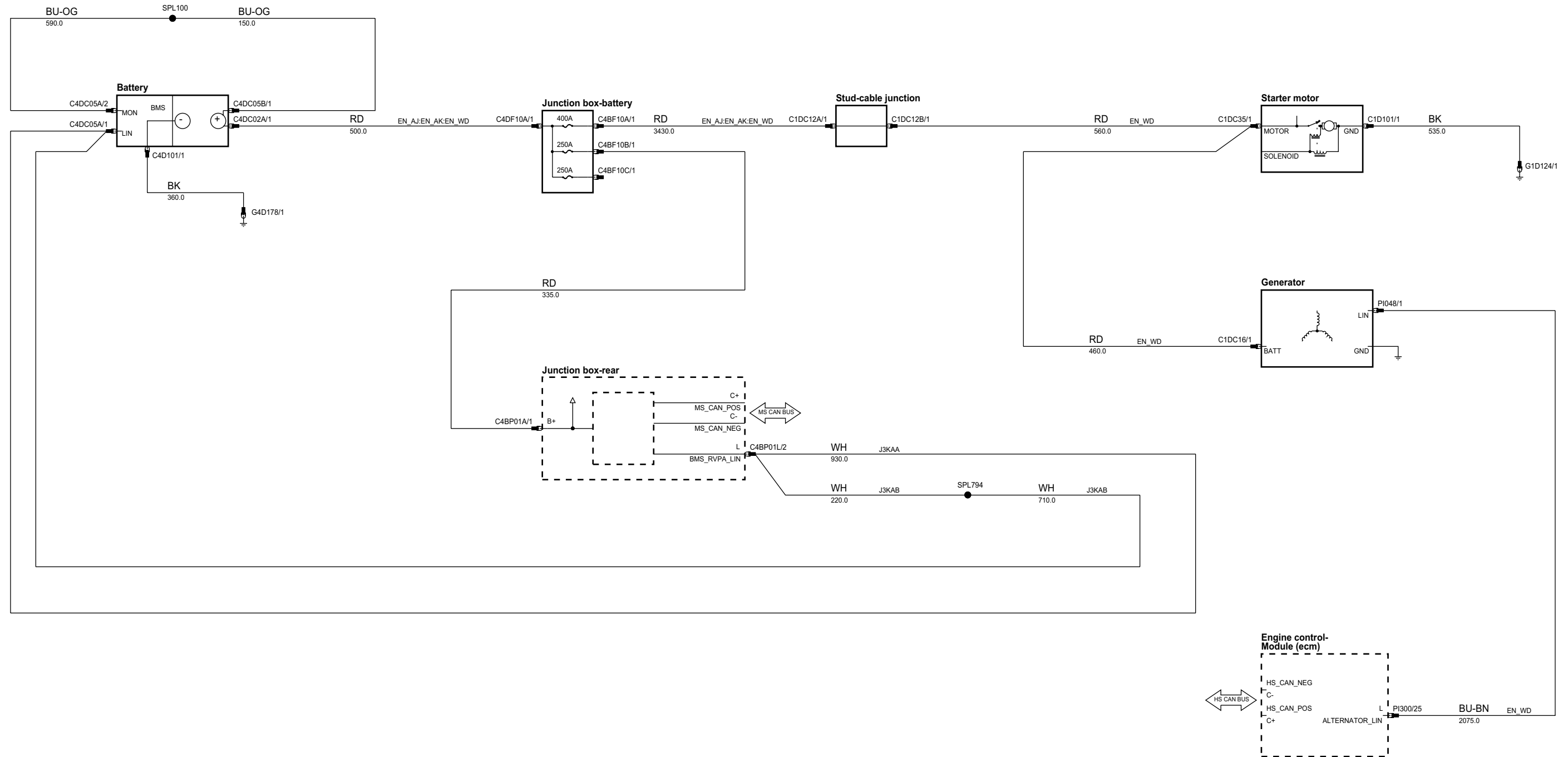
ph8r83-70022-a-af



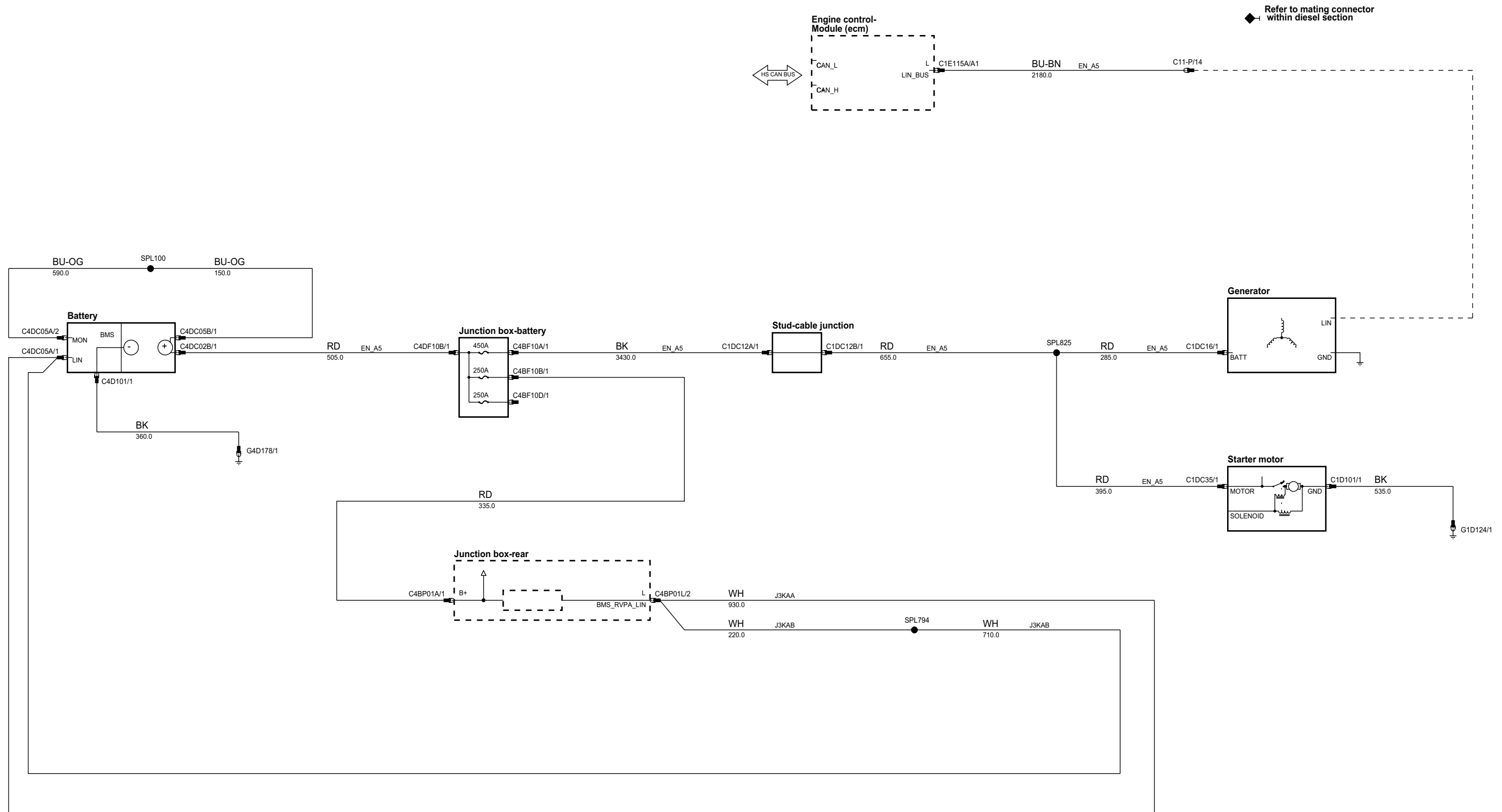
ph8r83-70022-b-af



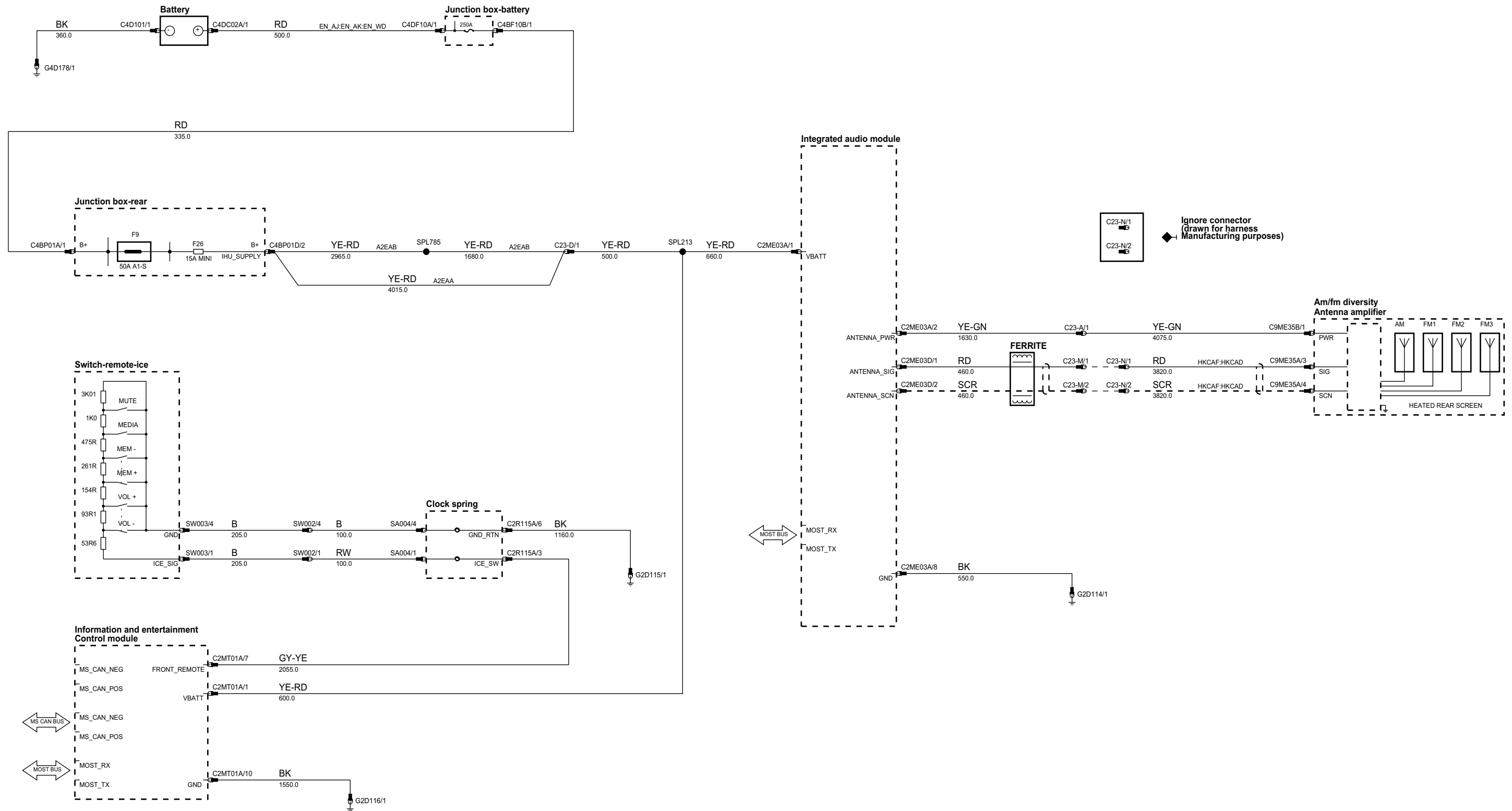
ph8r83-70022-c-af



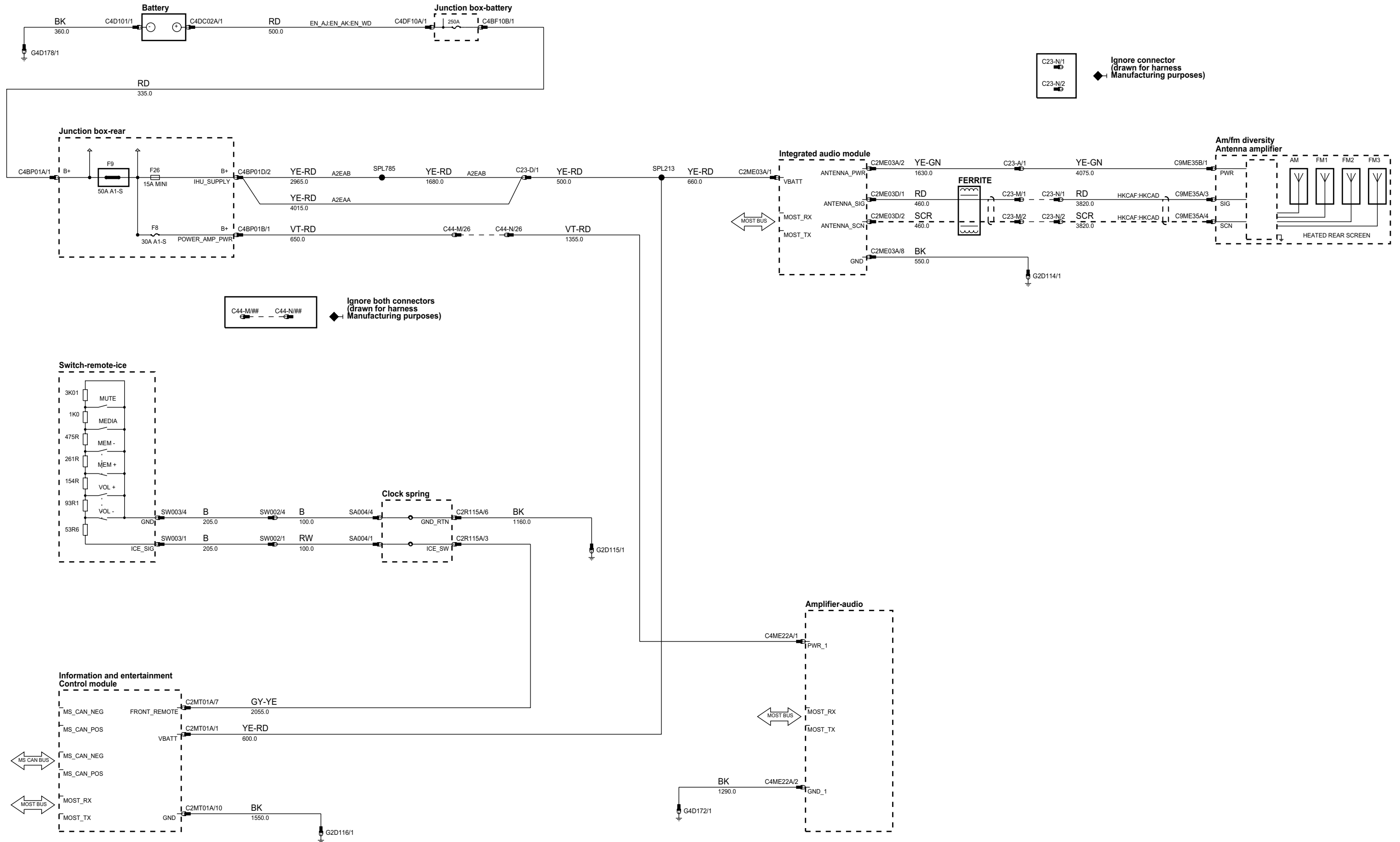
ph8r83-70022-d-af



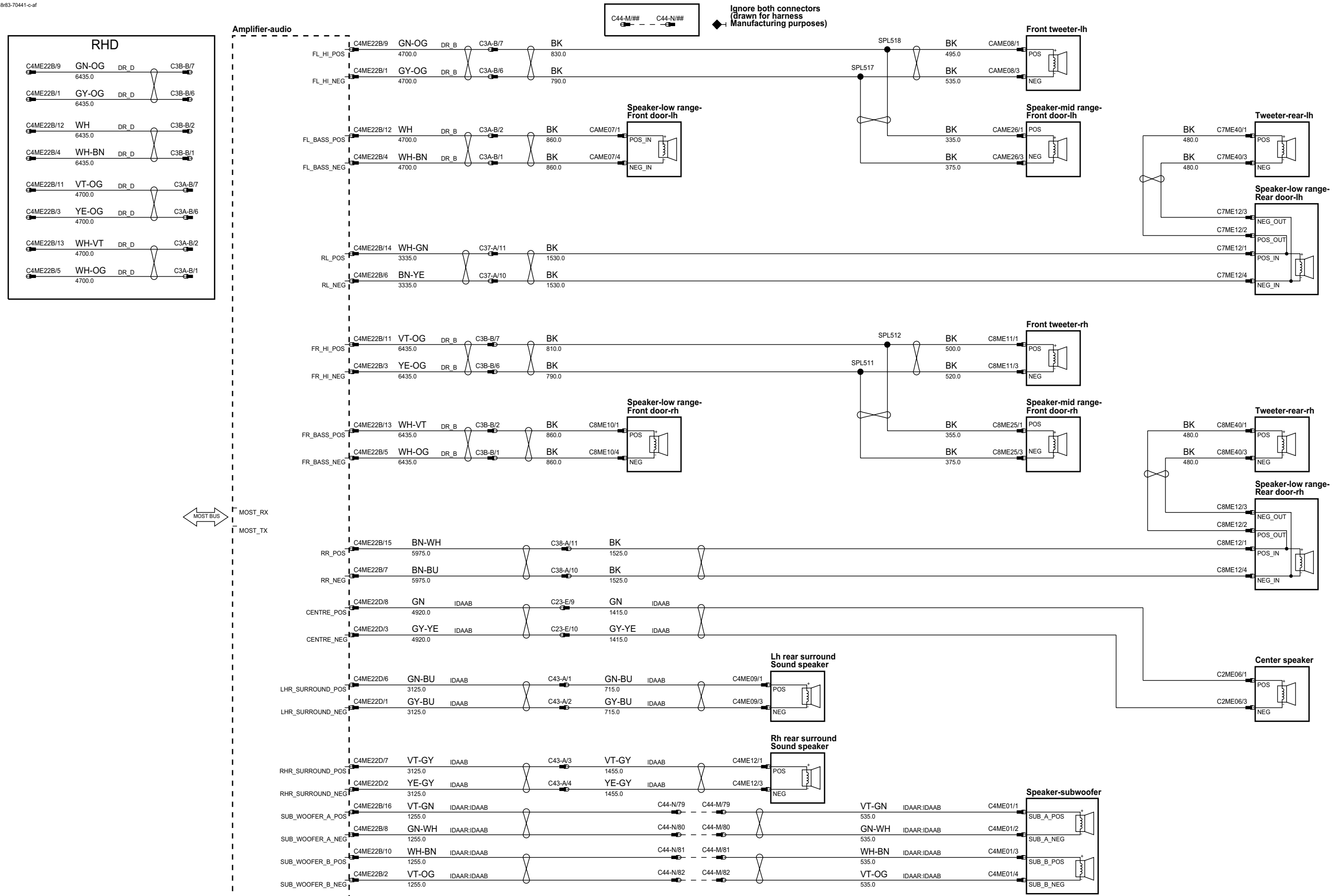
ph883-70441-a-af



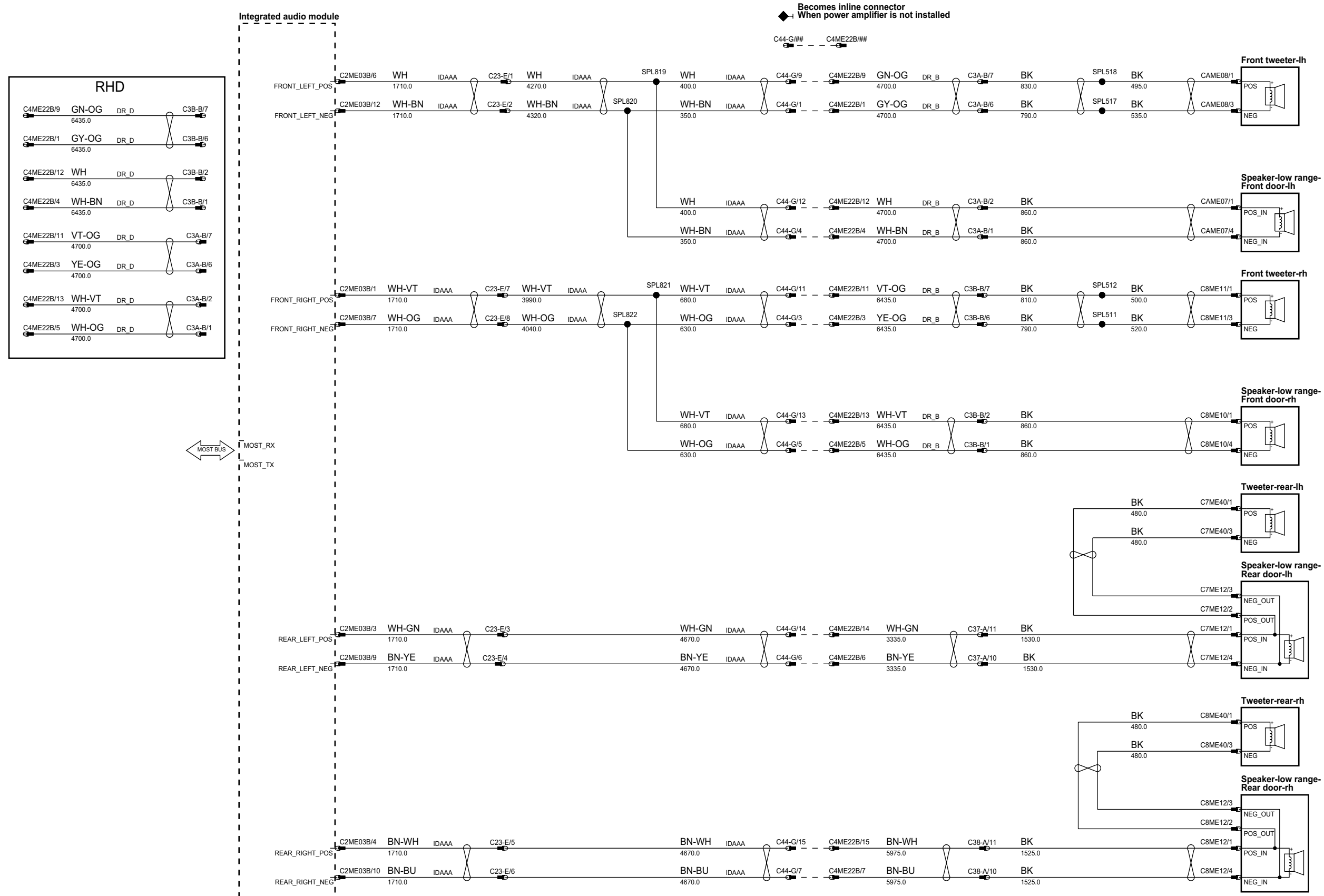
ph10/83-70441-b-af



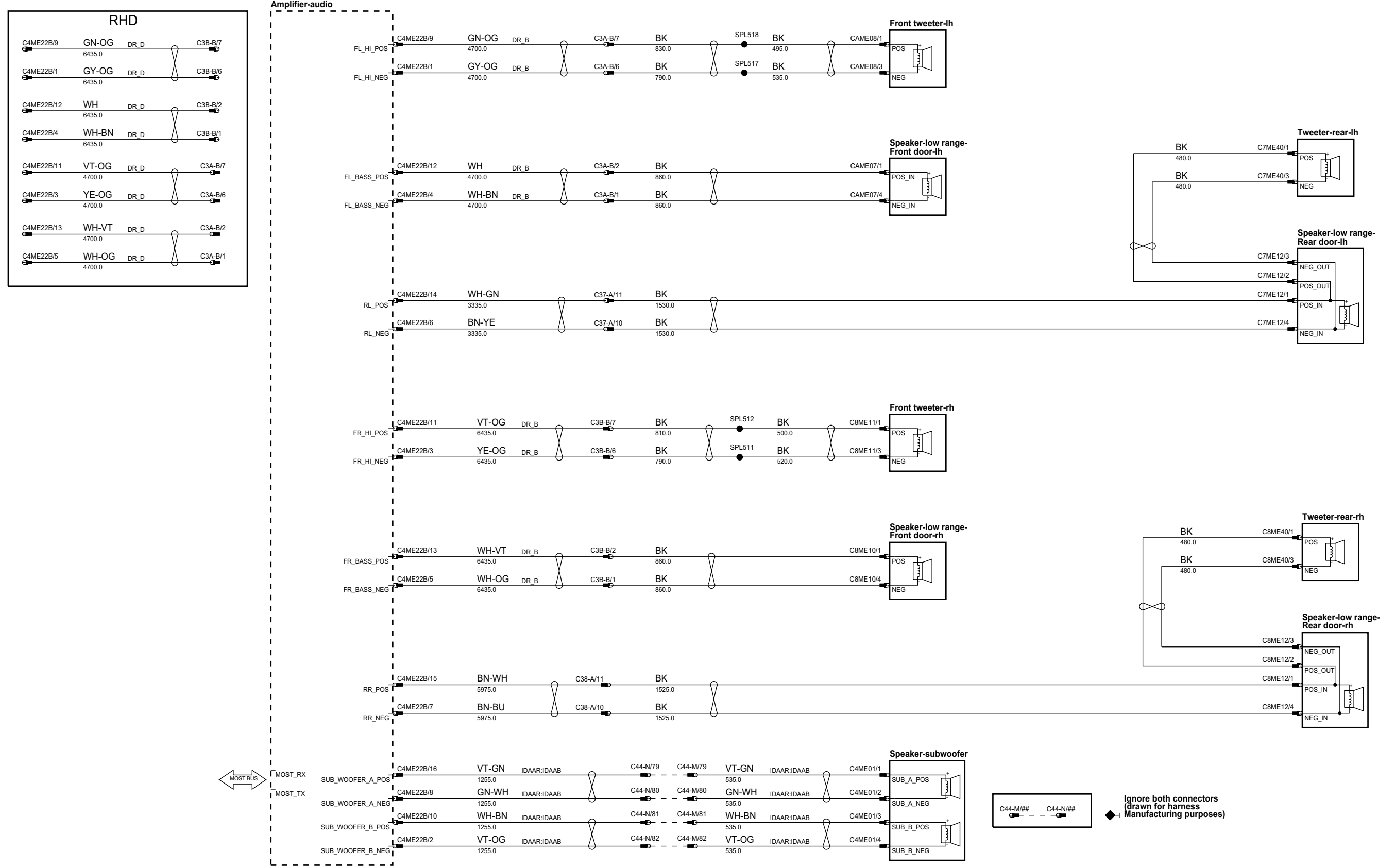
ph83-70441-c-af



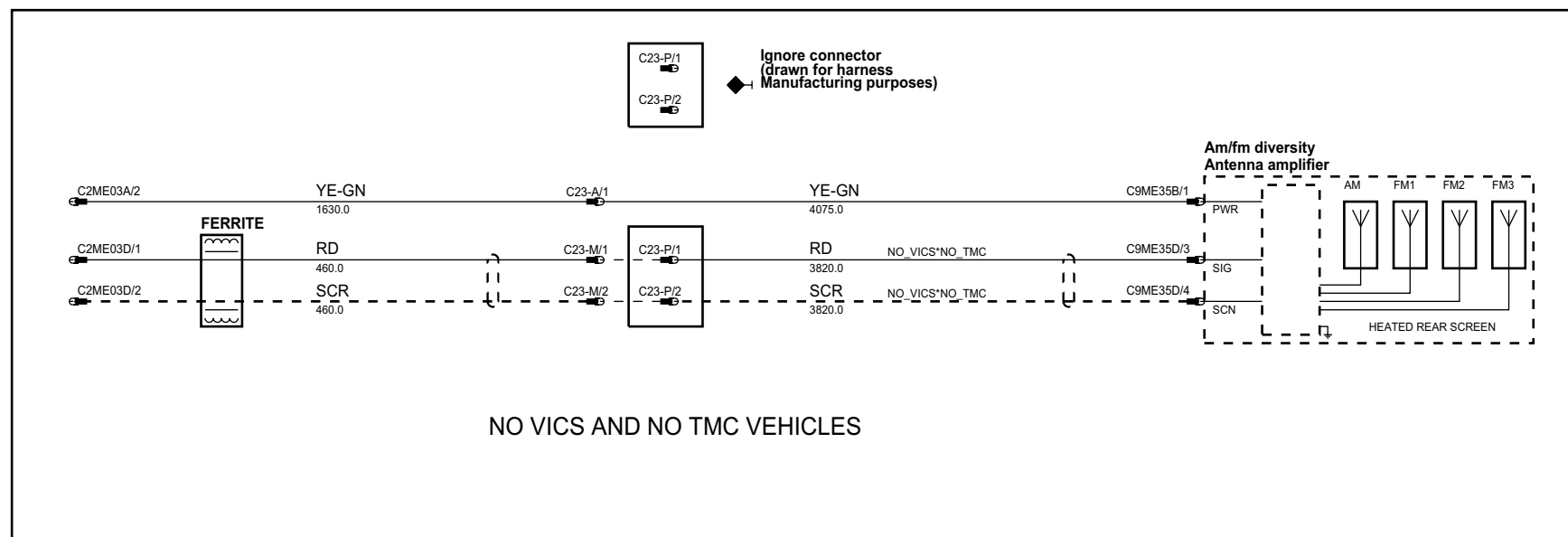
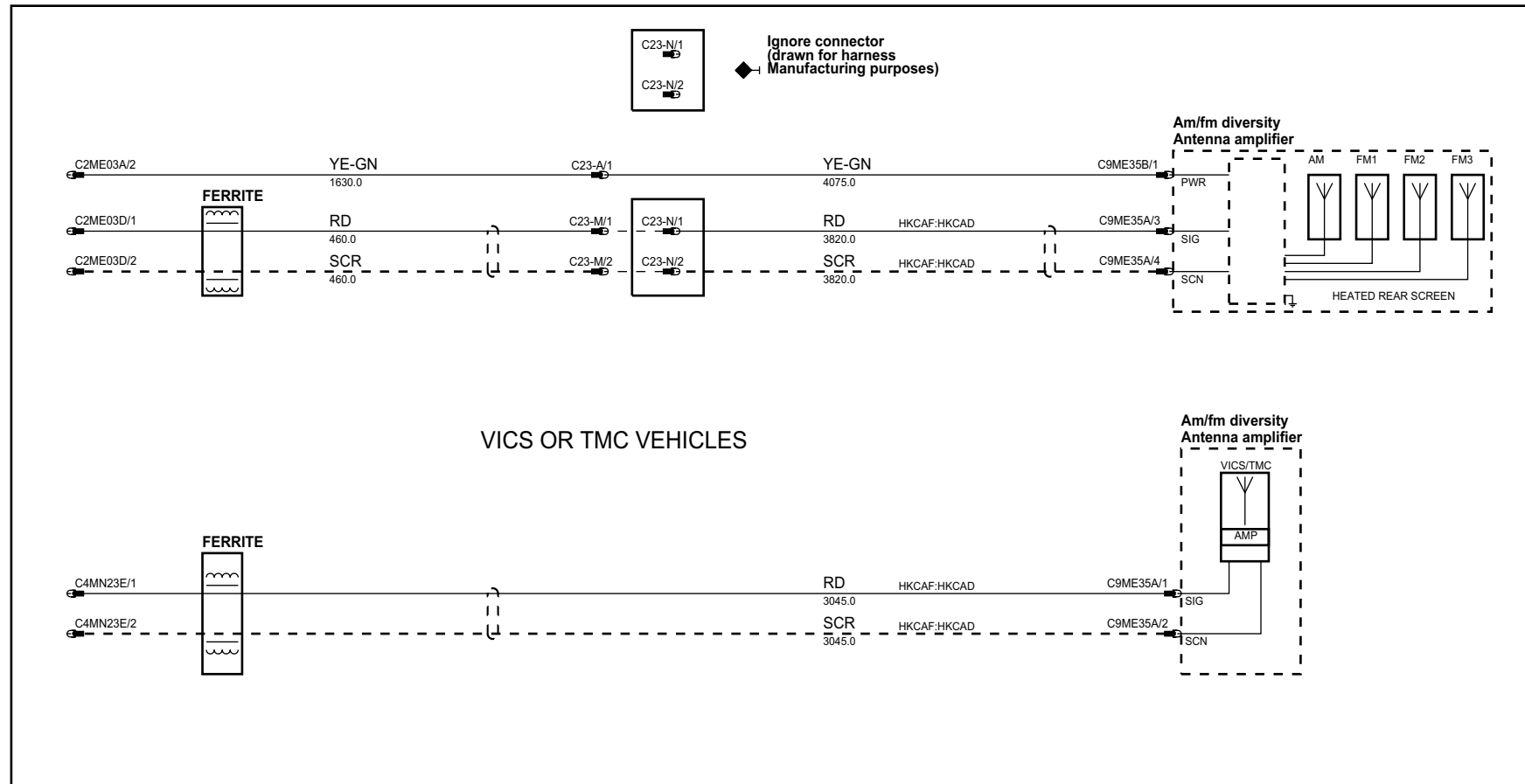
ph8r83-70441-d-af



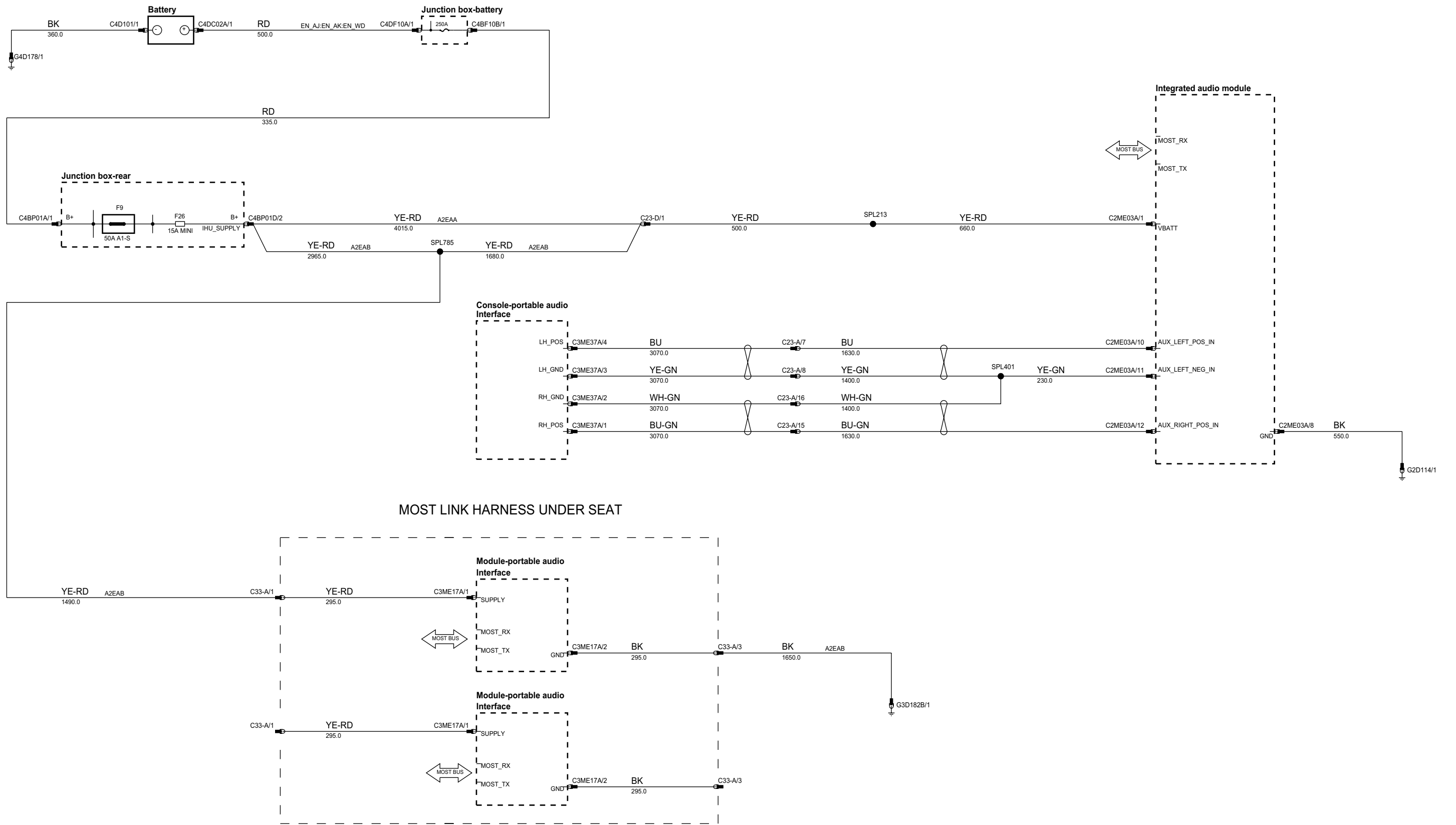
ph883-70441-e-af



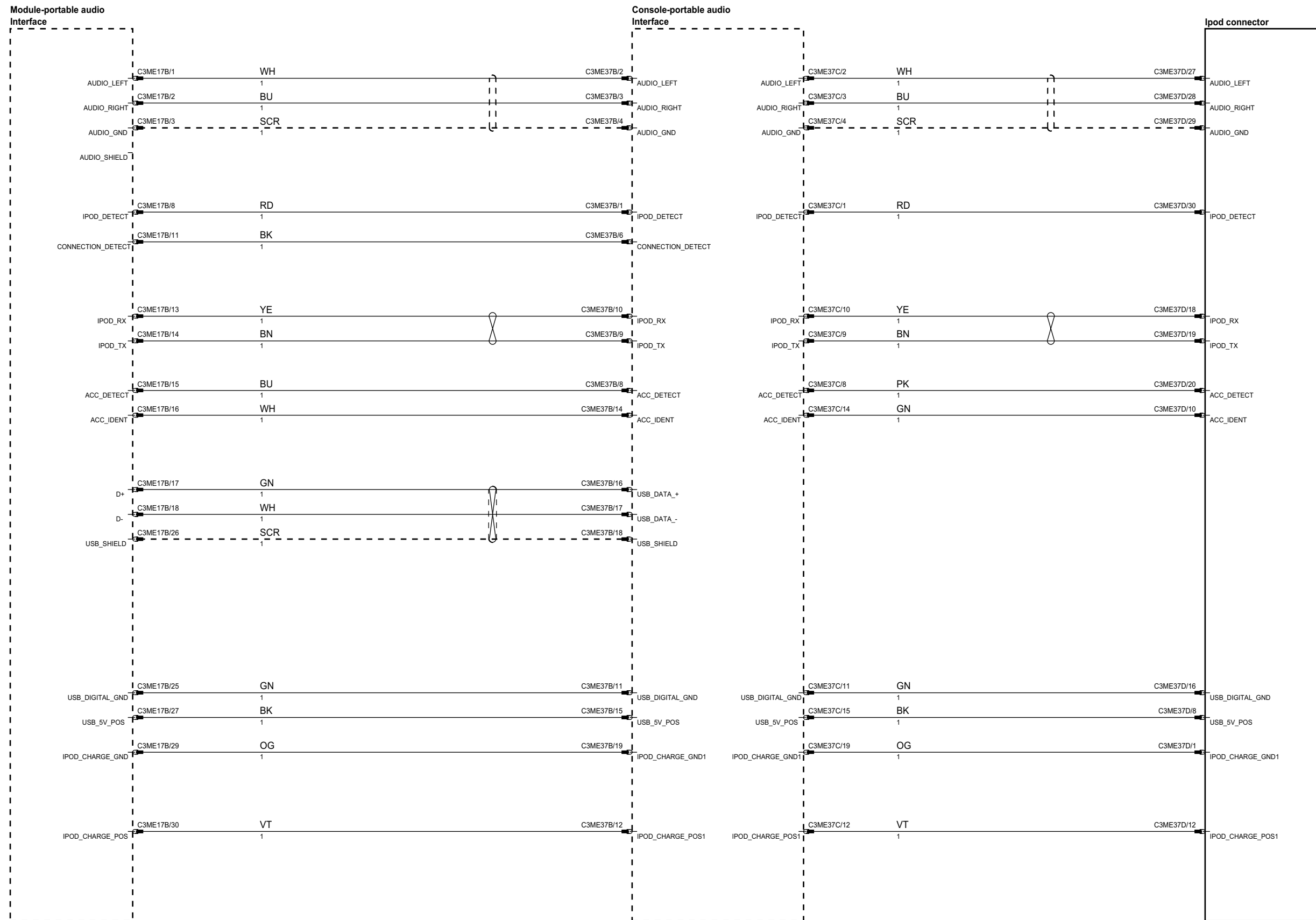
ph8r83-70442-a-af



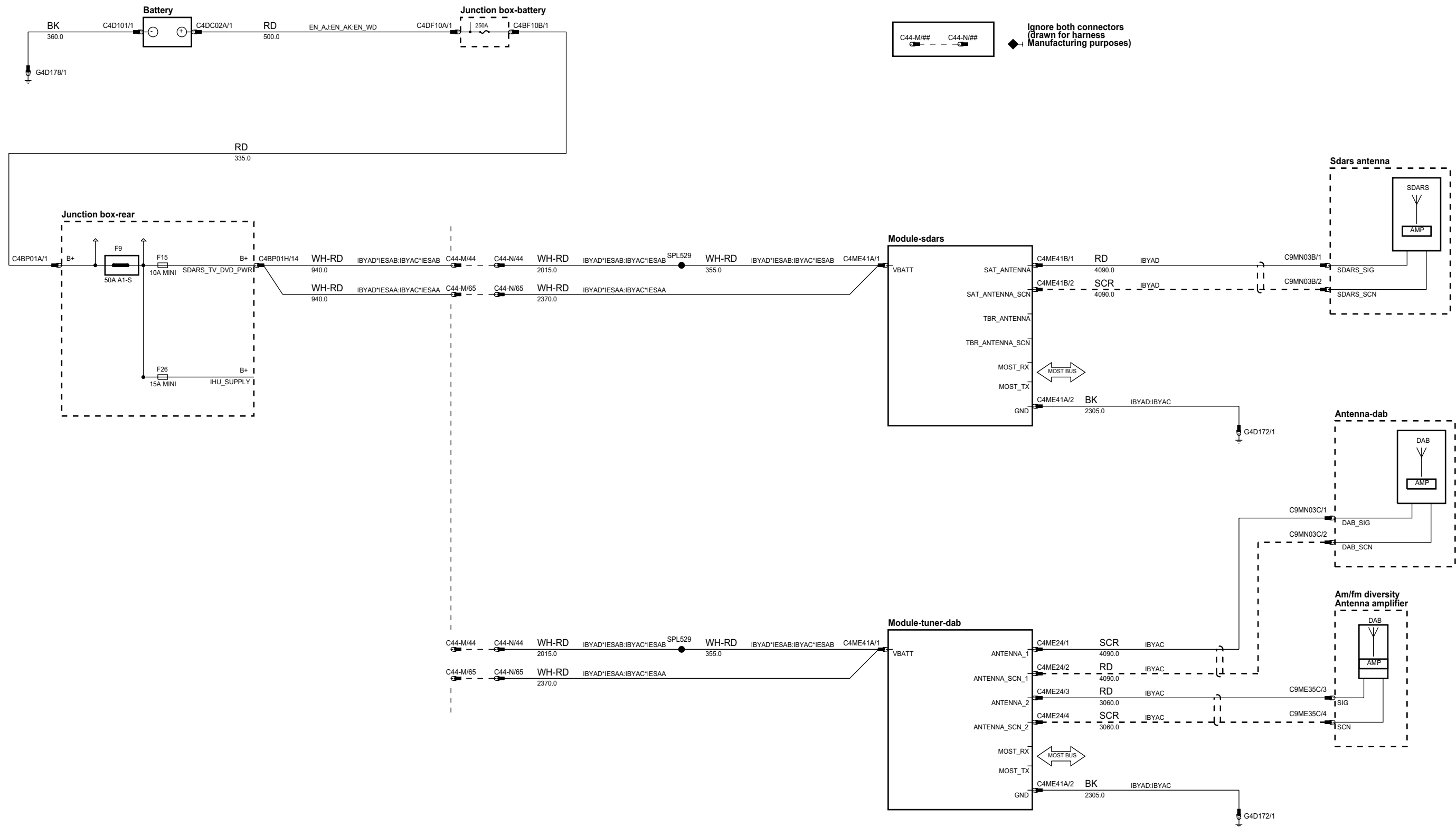
ph8r83-70445-a-af



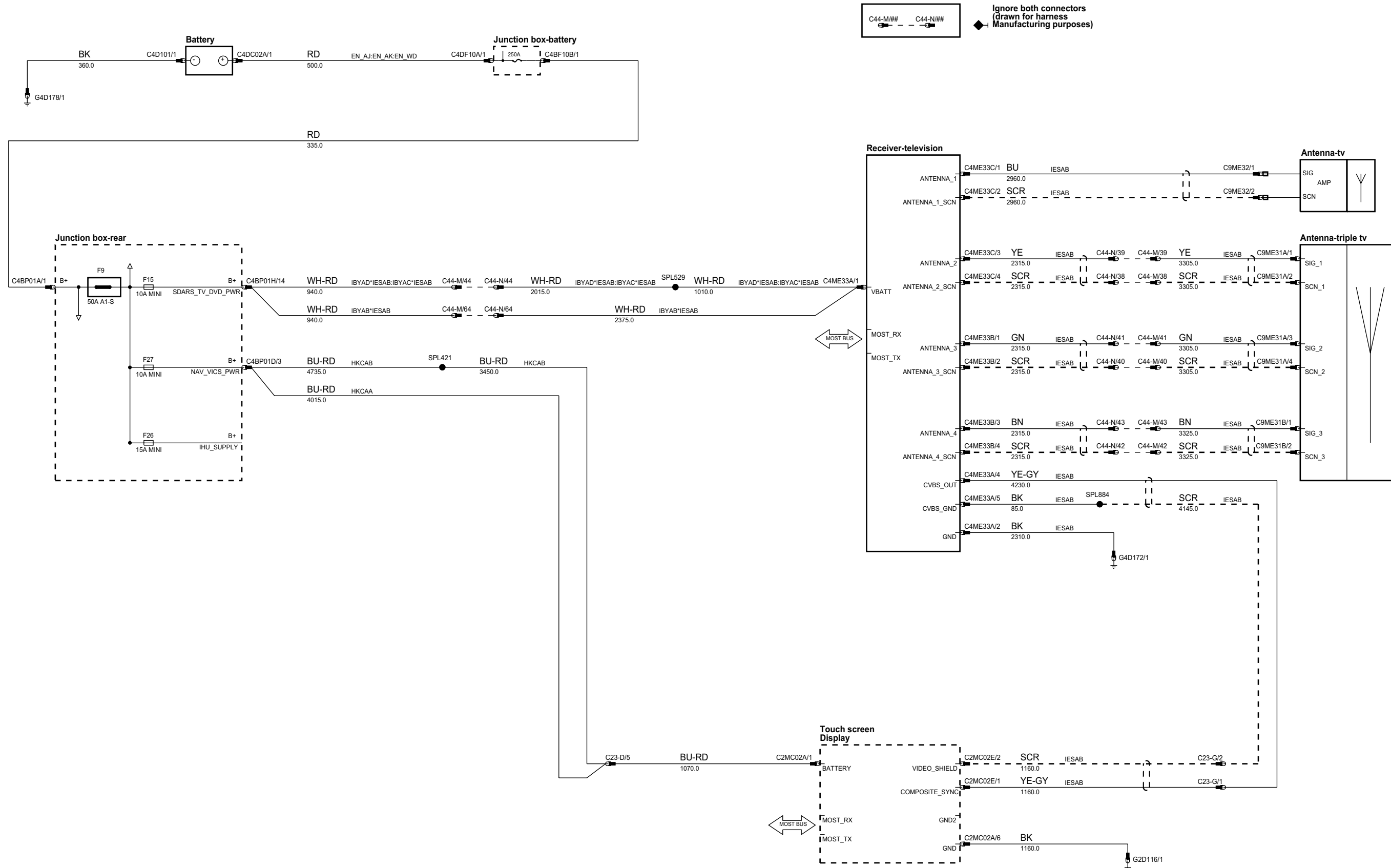
ph8r83-70445-b-af



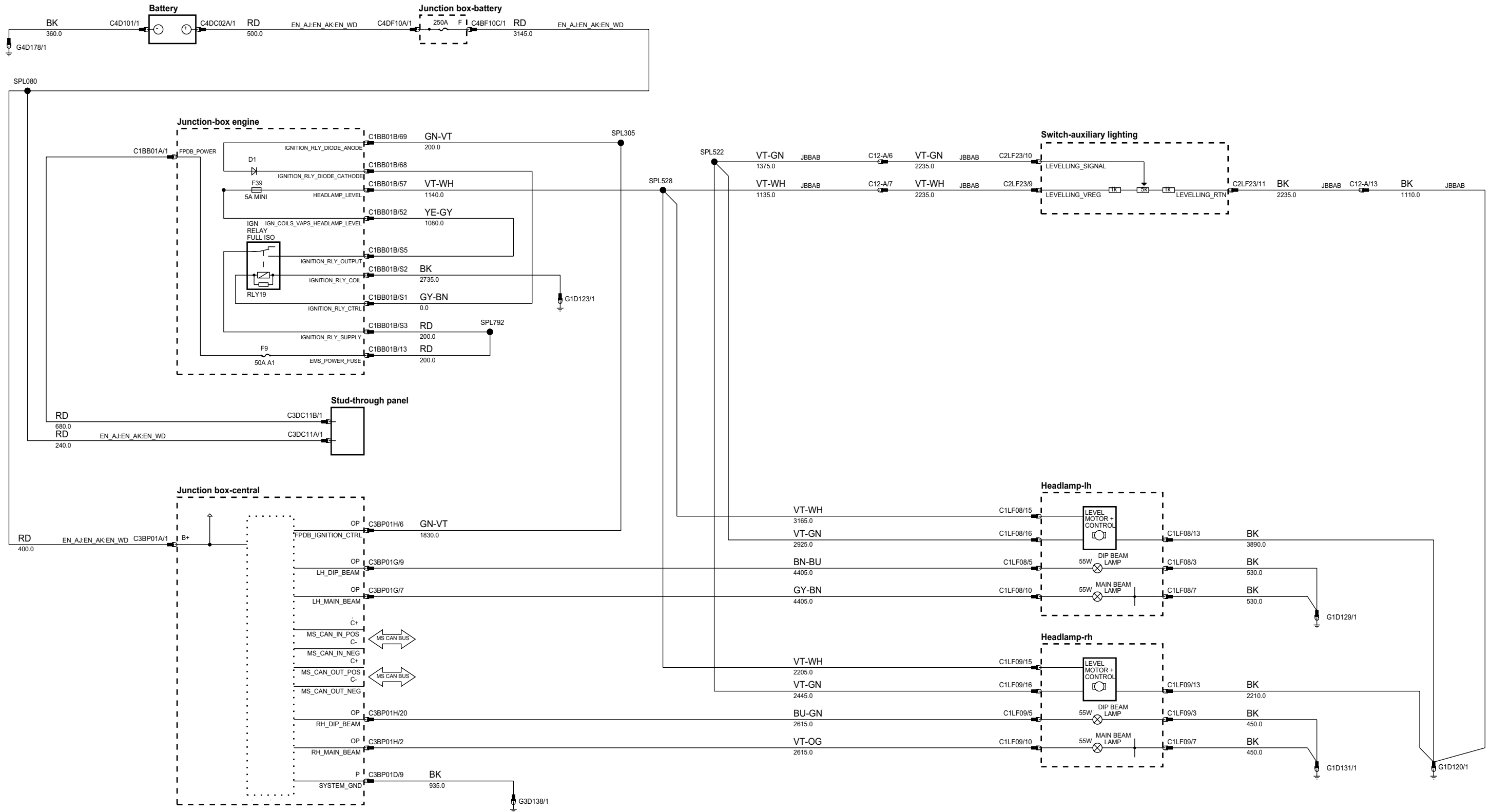
ph8r83-70447-a-af



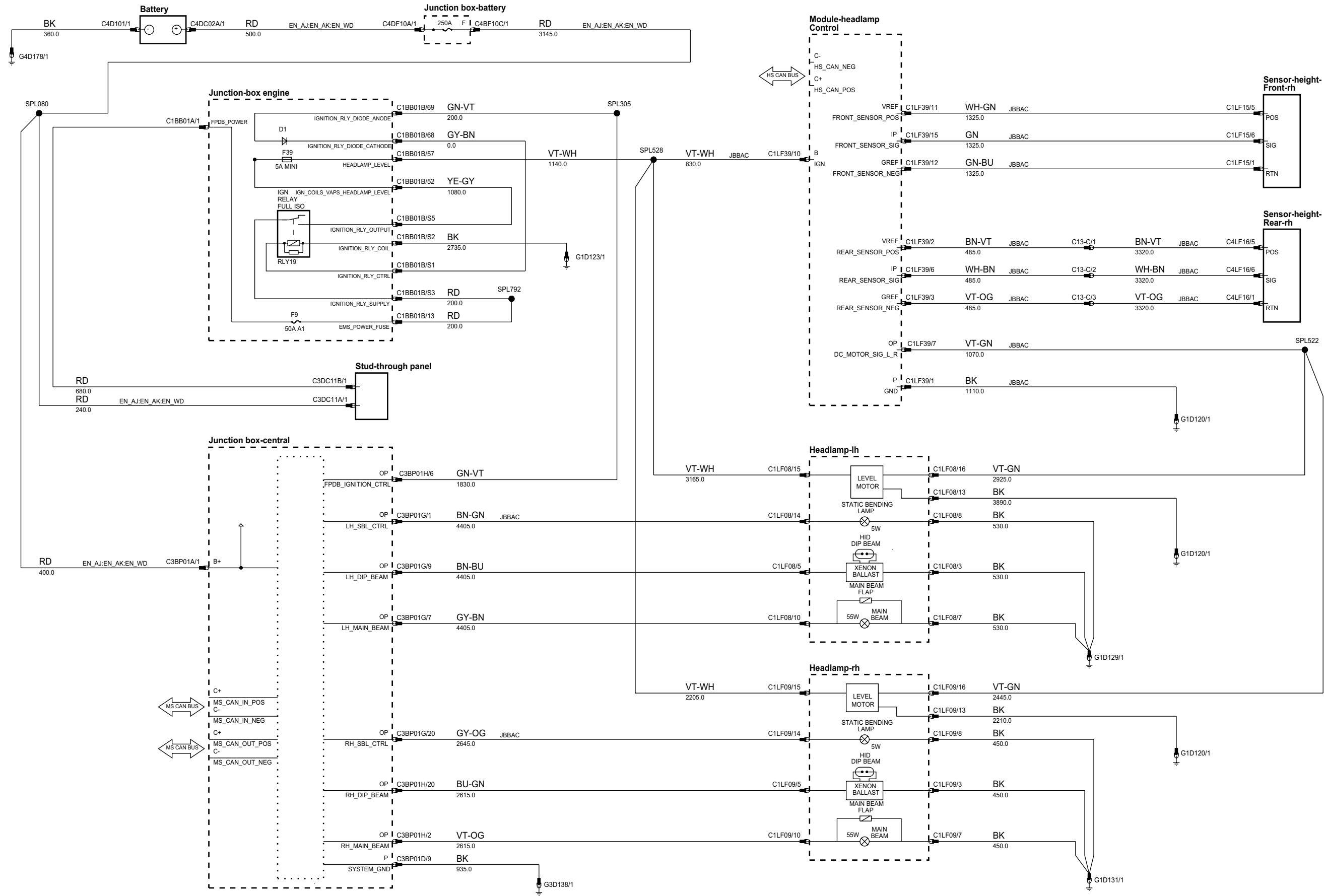
ph8r83-70456-a-af



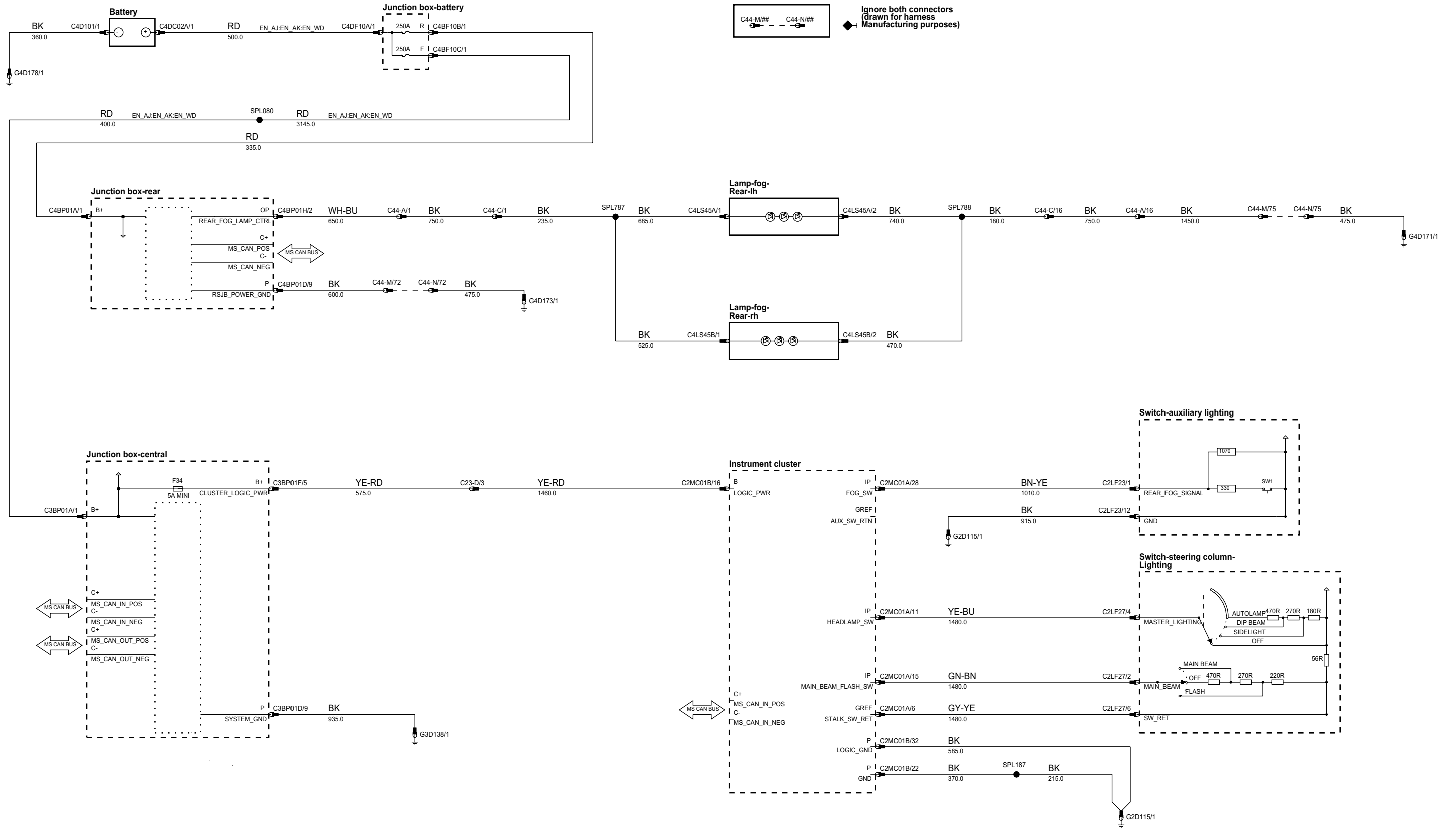
ph8r83-70061-a-af



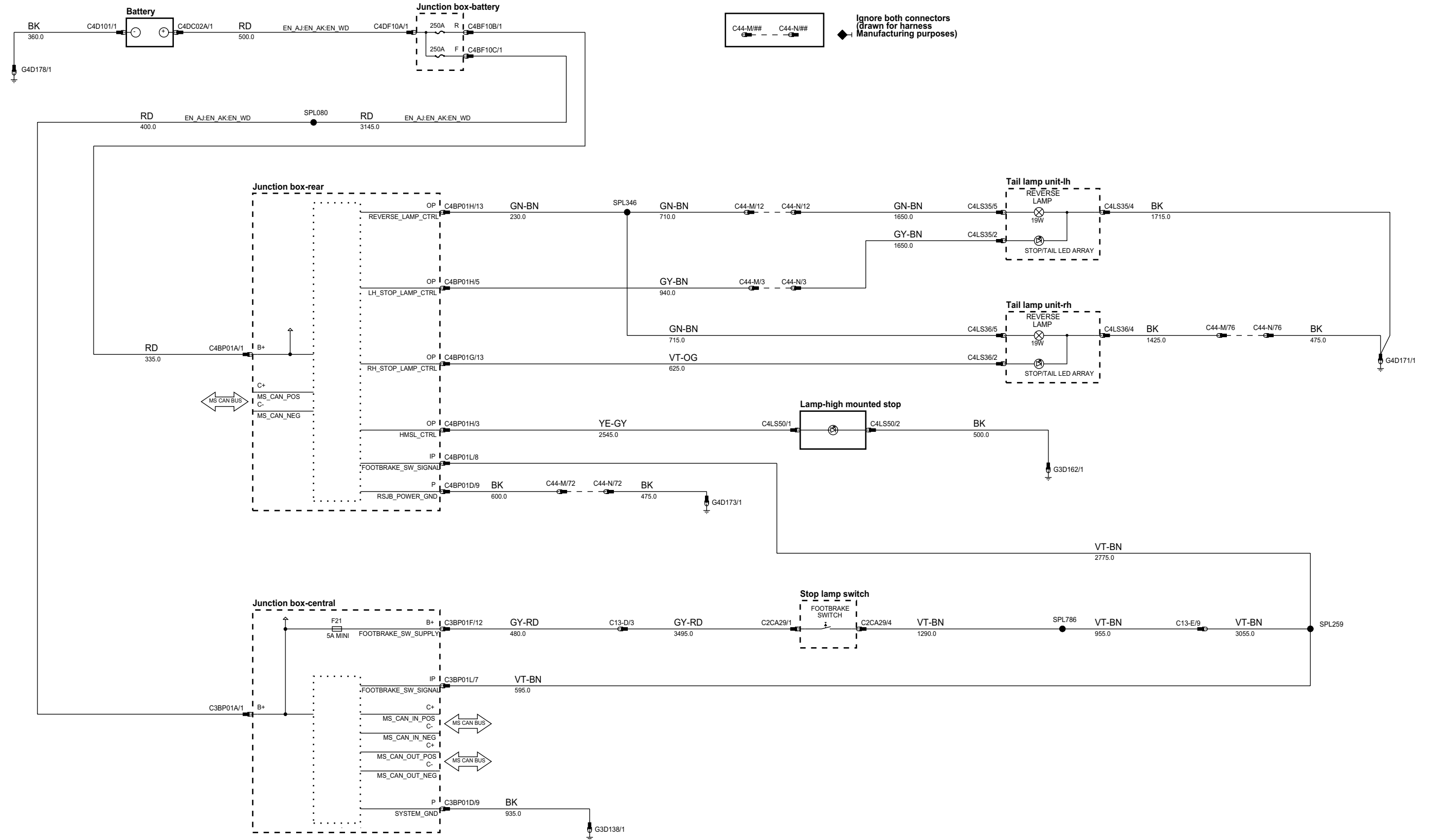
ph8r63-70061-b-af



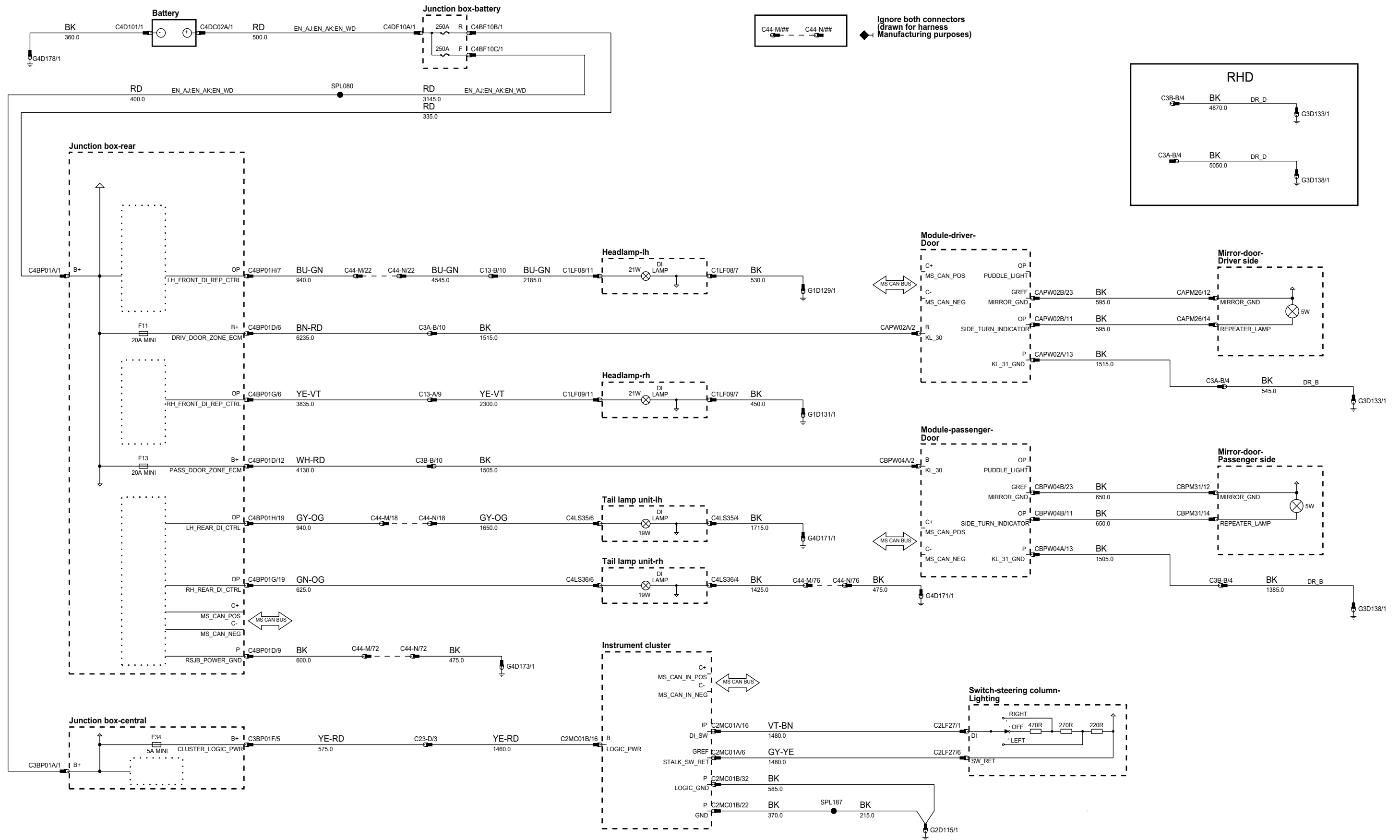
ph8r83-70072-a-af



ph8r83-70075-a-af

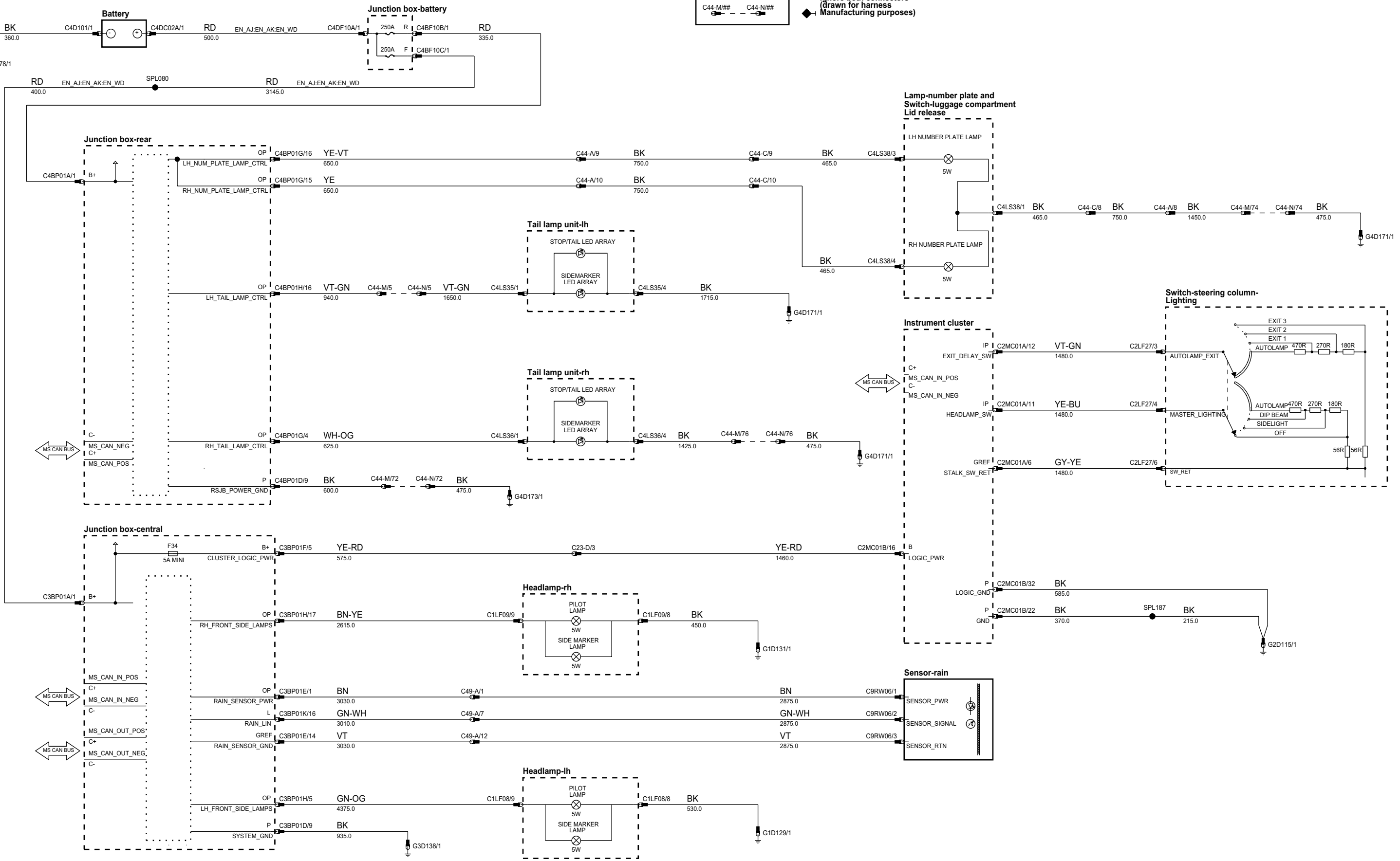


ph83-70076-a-af

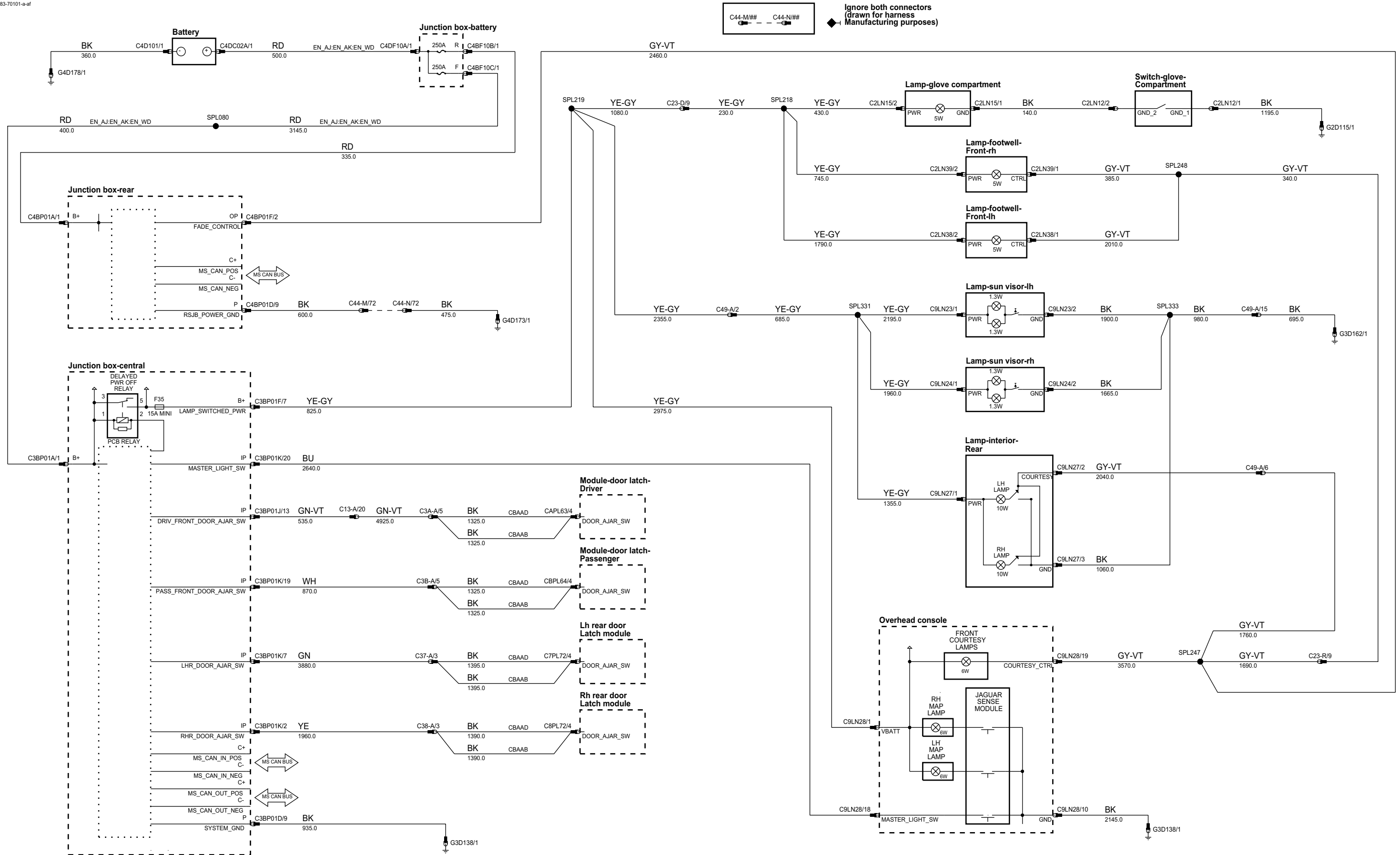


ph8/63-70086-a-af

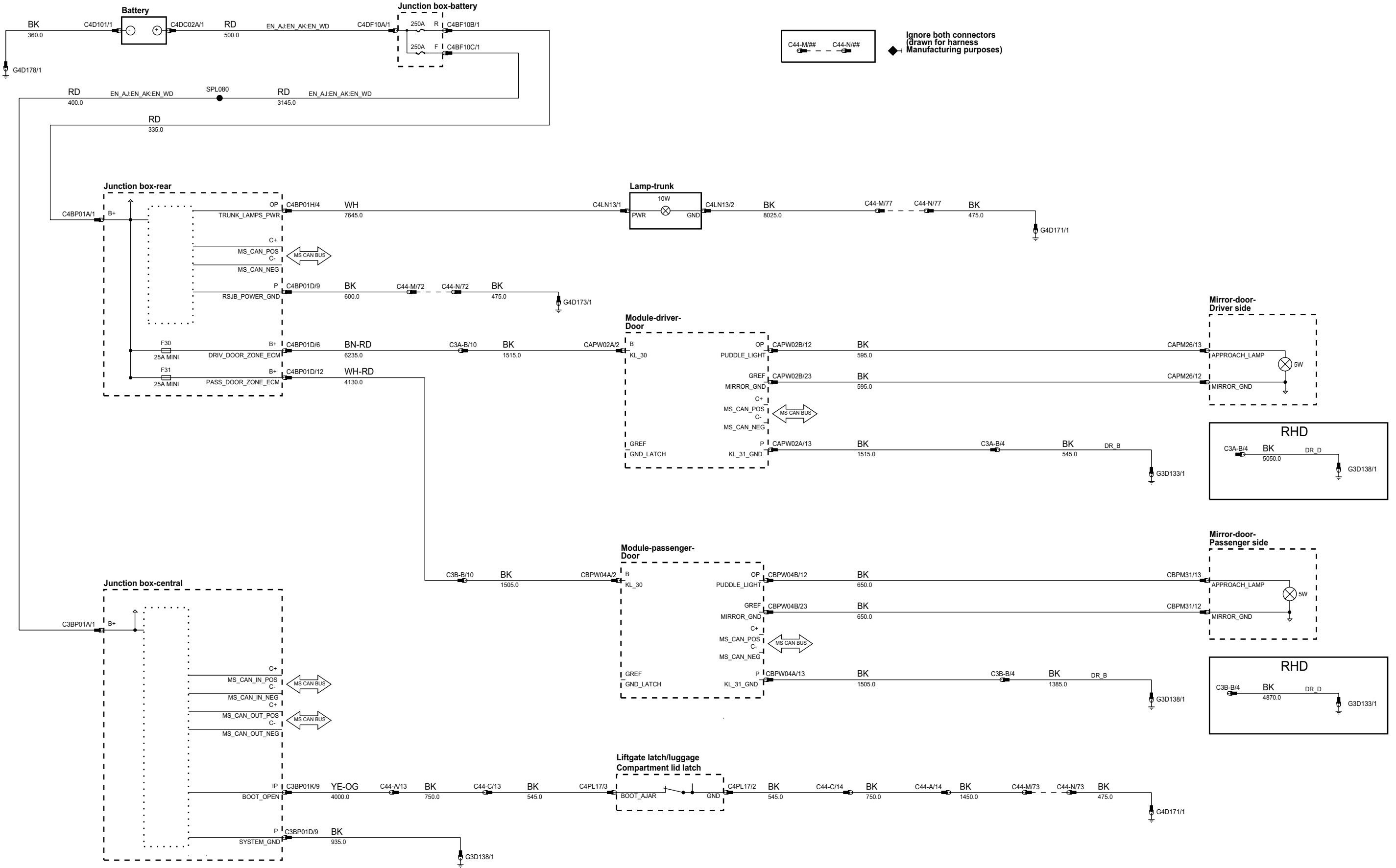
Ignore both connectors
(drawn for harness
Manufacturing purposes)



ph83-70101-a-af

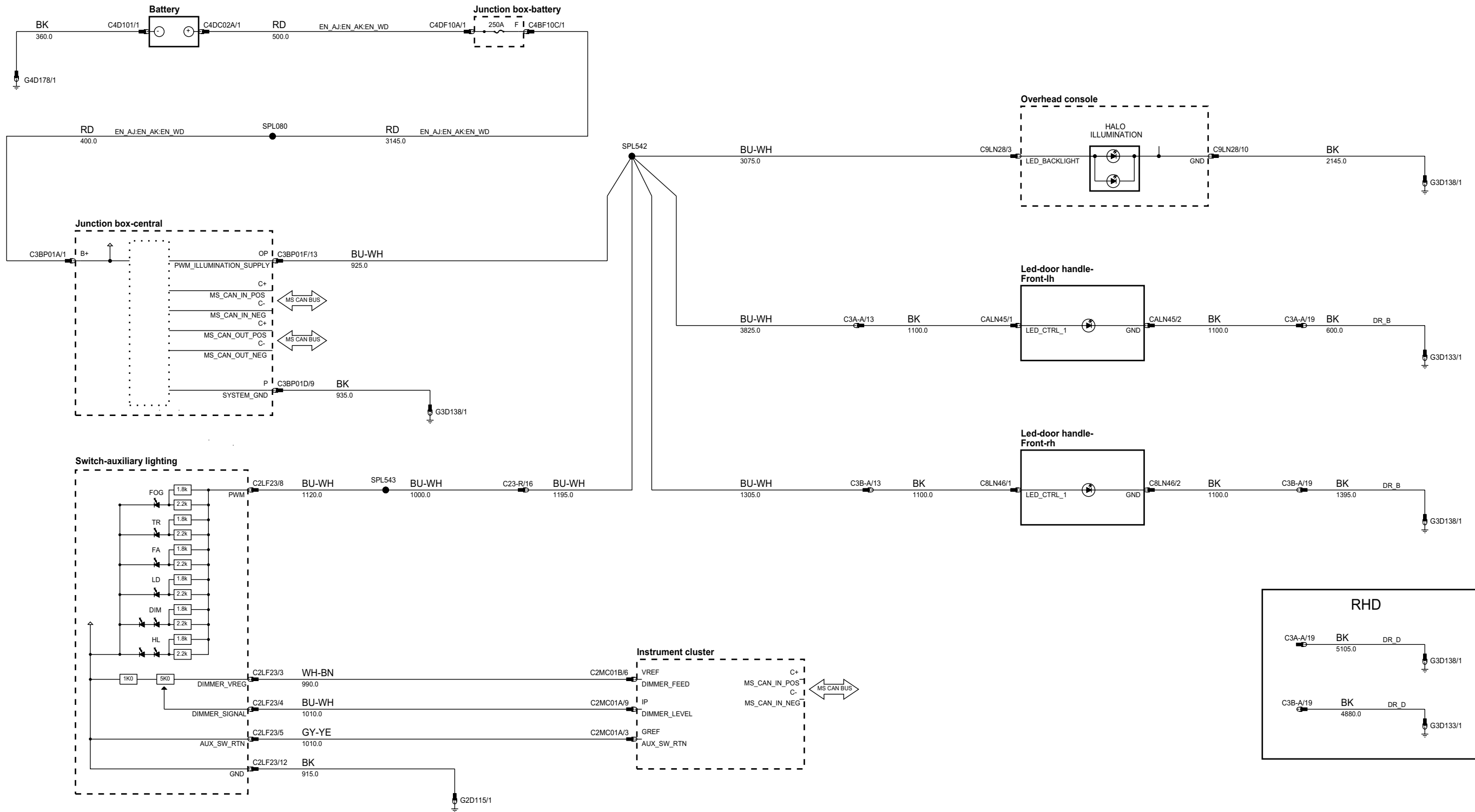


ph8e3-70104-a-af

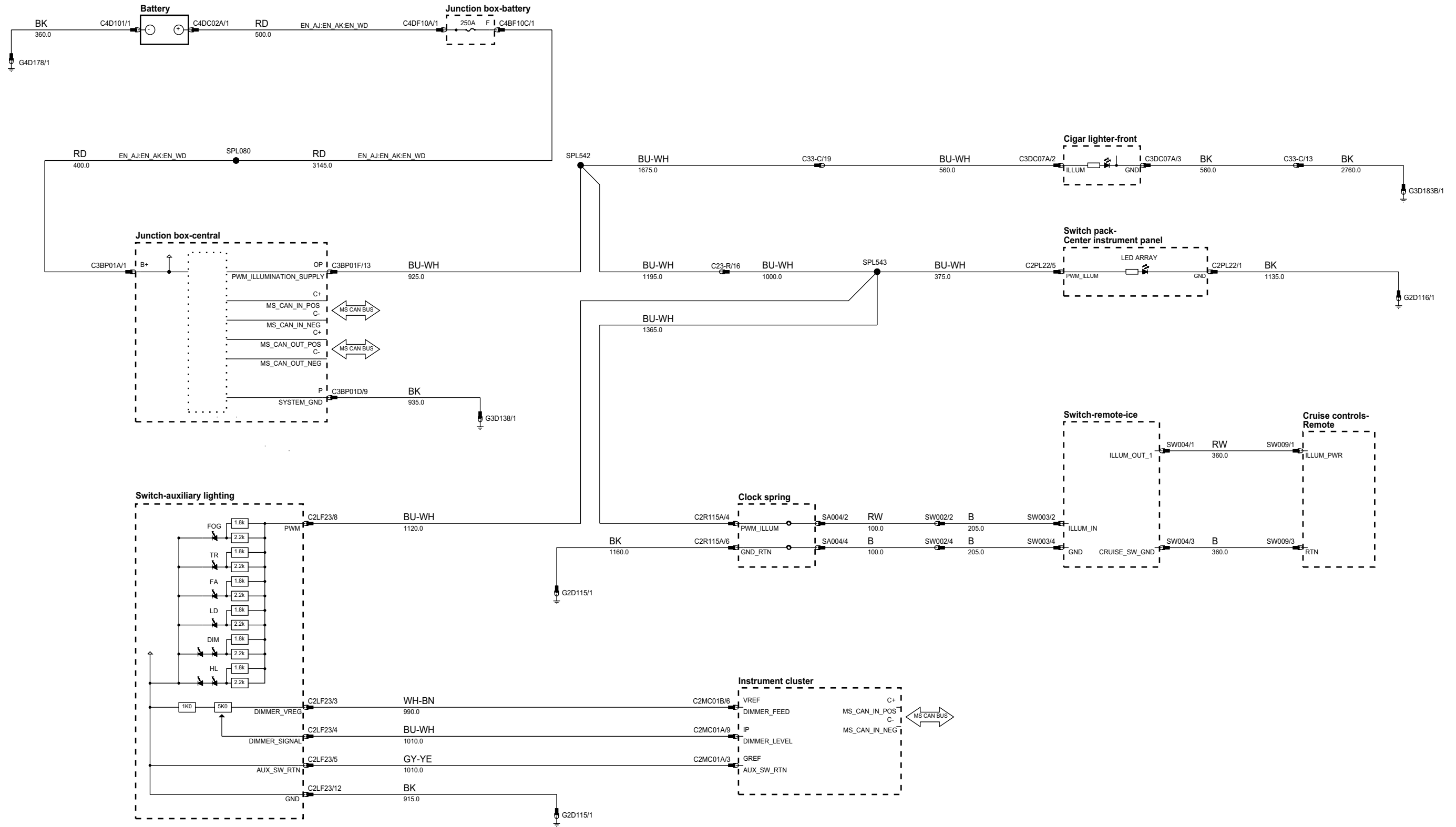


C44-M/## C44-N/##
 Ignore both connectors (drawn for harness Manufacturing purposes)

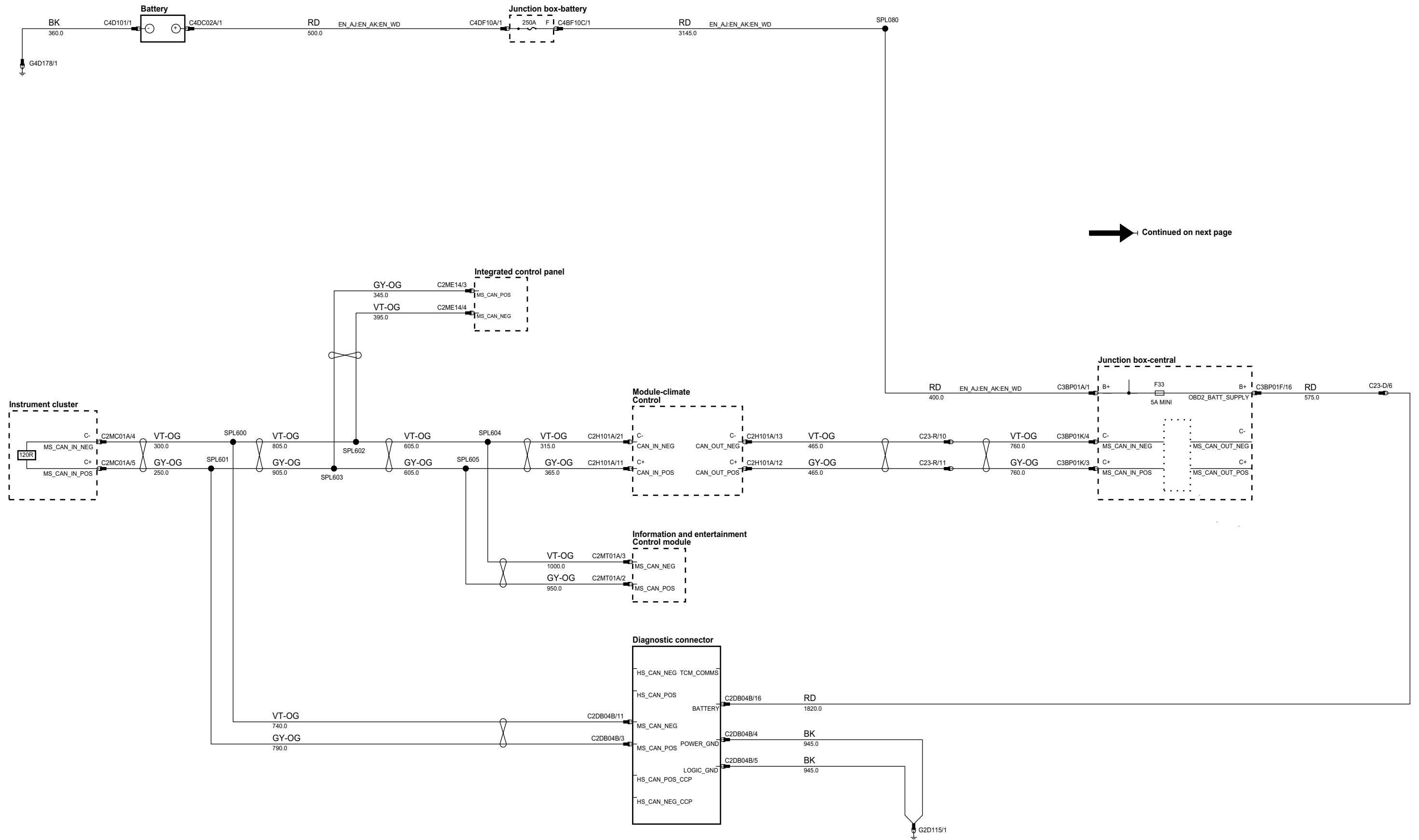
ph83-70106-a-af



ph8r83-70123-a-af



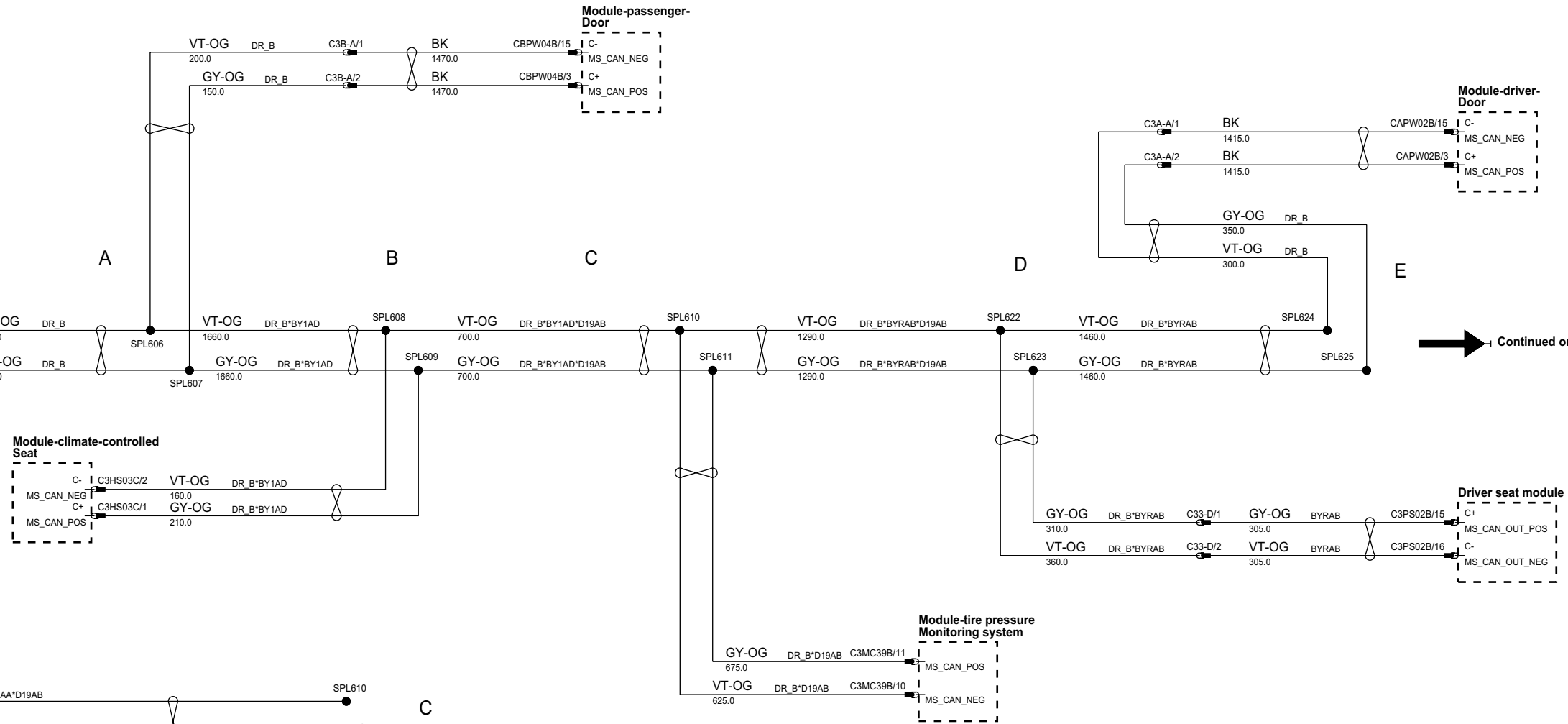
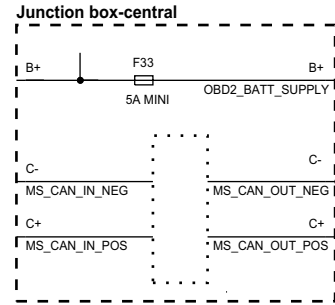
ph870016-a-af



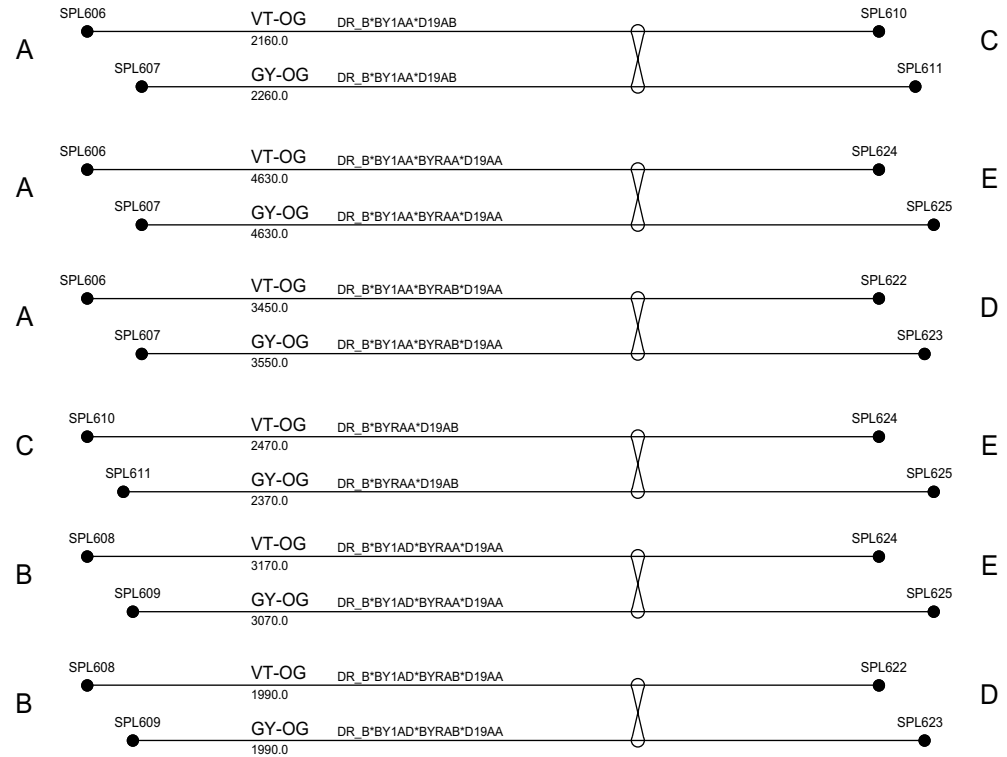
Continued on next page

h8r63-70016-b-af

Continued from previous page



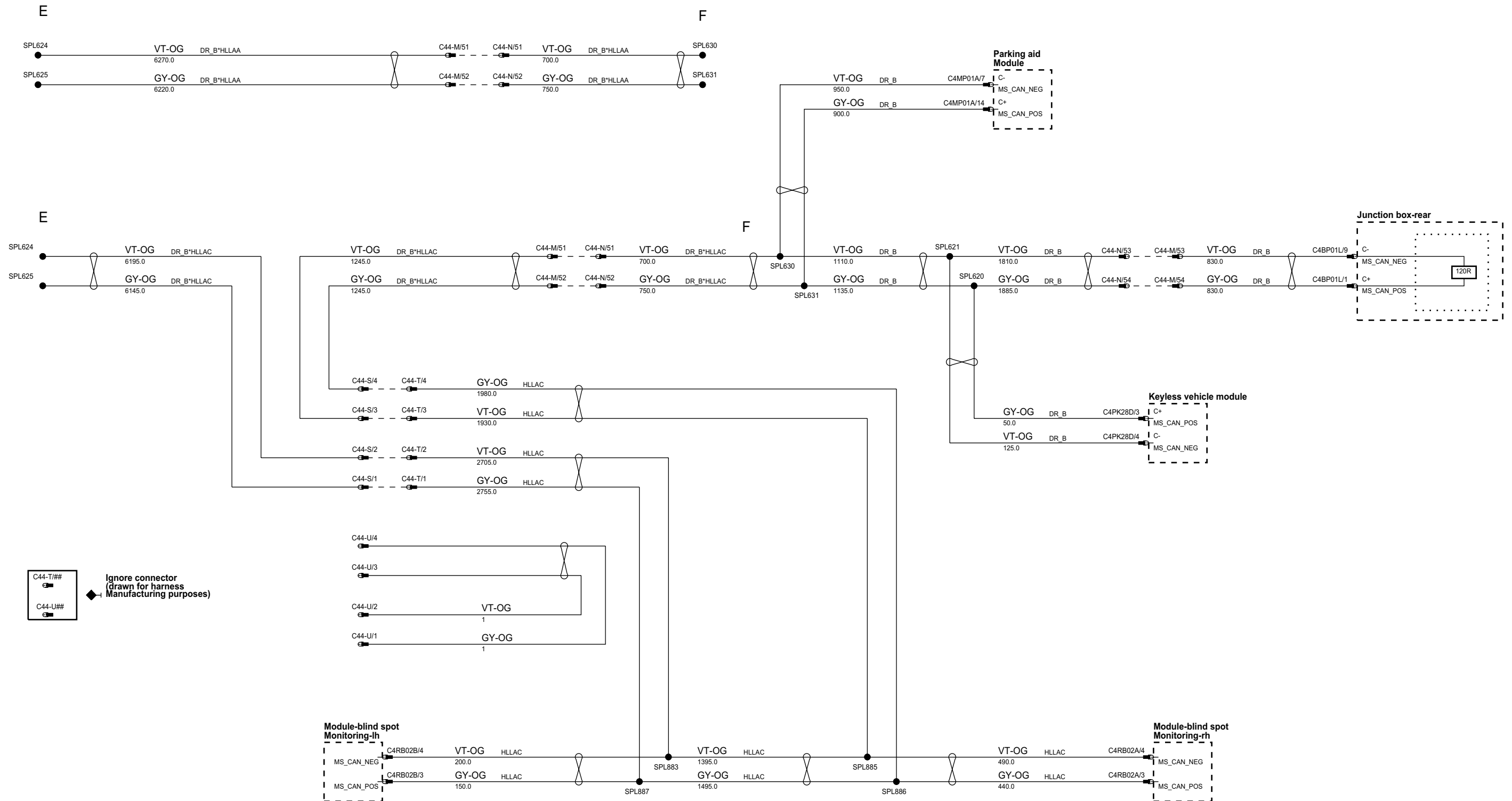
Continued on next page



ph883-70016-c-af

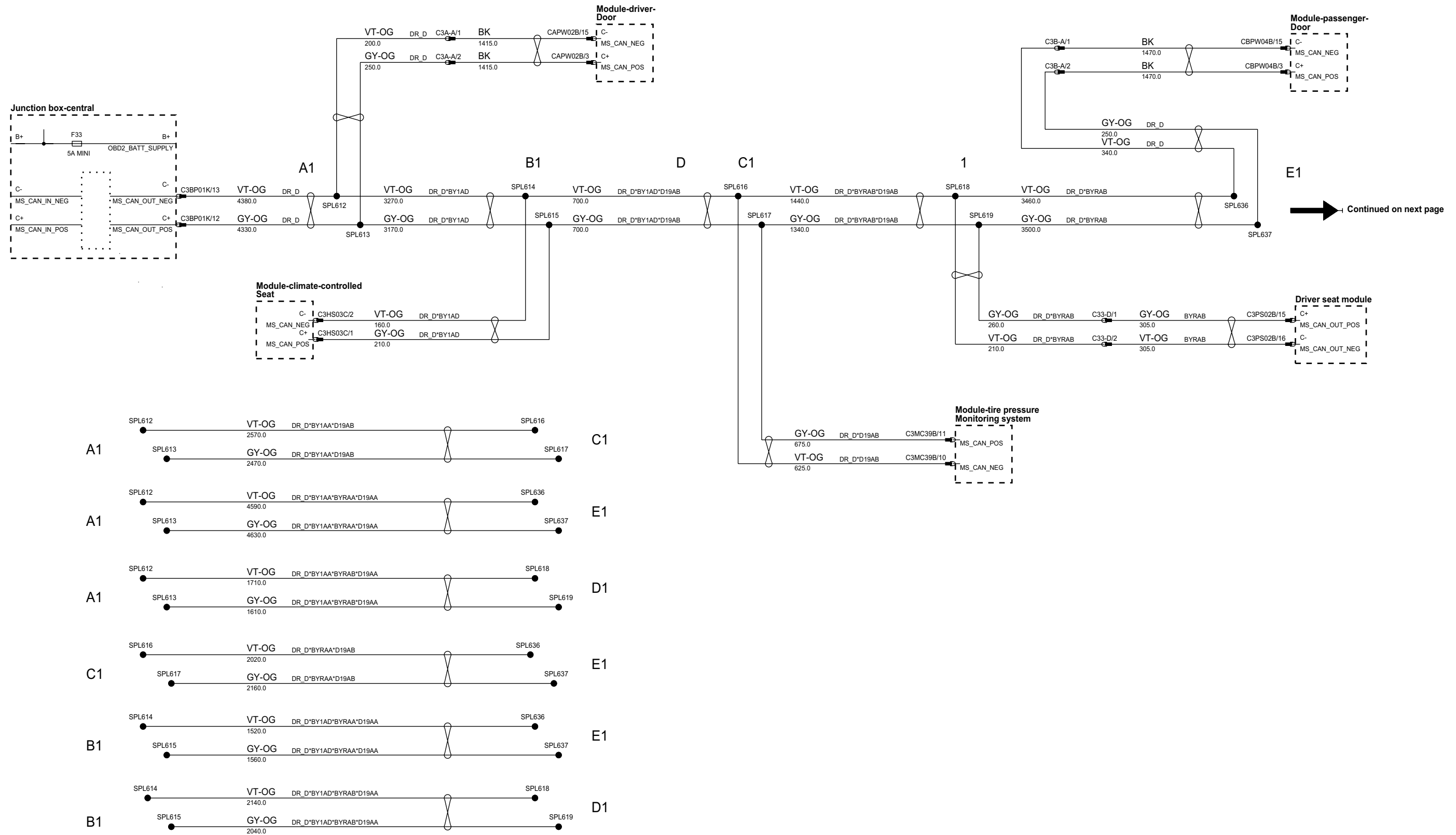
Continued from previous page

C44-M/## C44-N/##
Ignore both connectors (drawn for harness Manufacturing purposes)



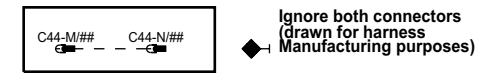
ph8r83-70016-d-af

Continued from part 1

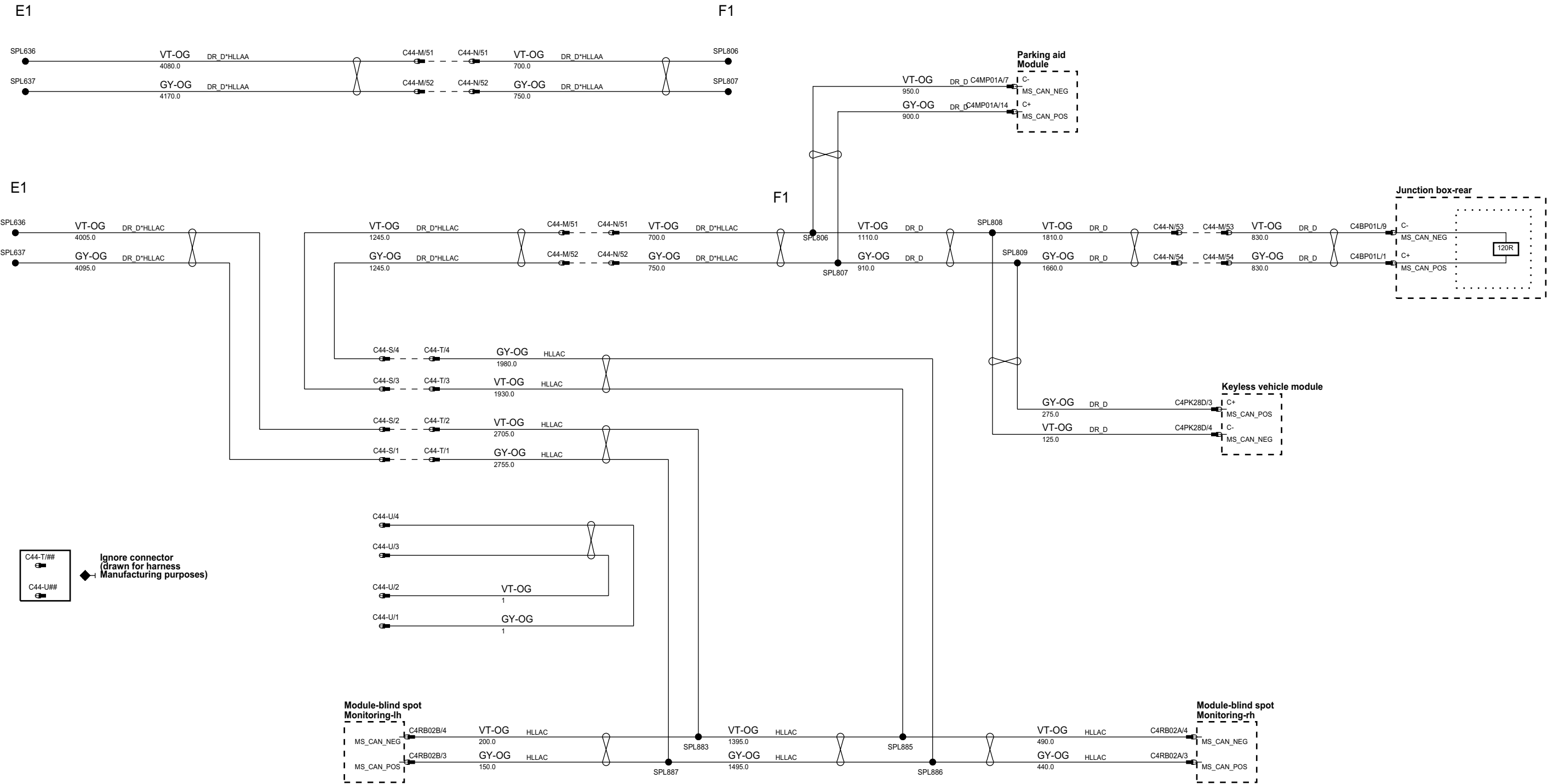


Continued on next page

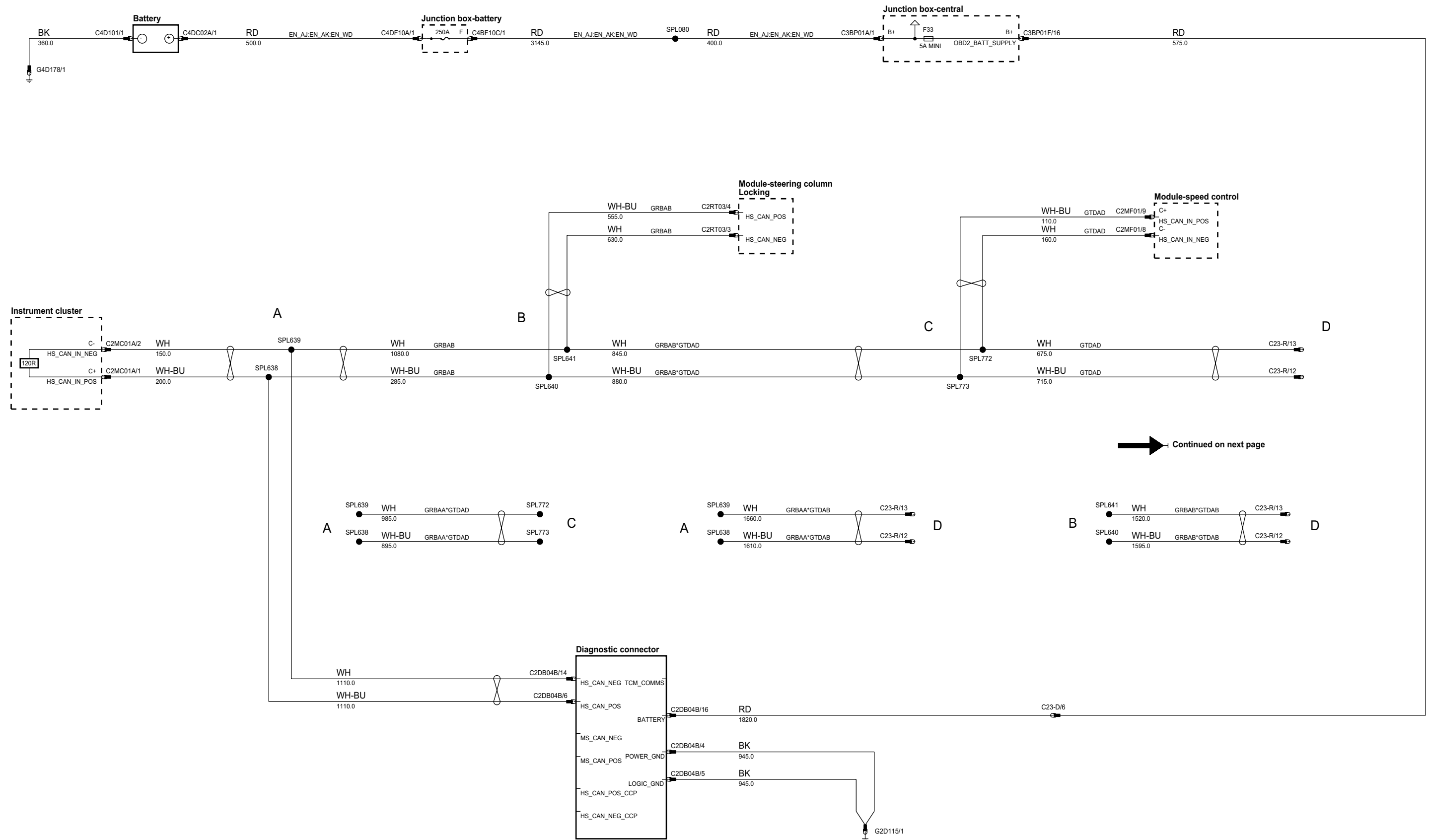
h883-70016-e-af



Continued from previous page



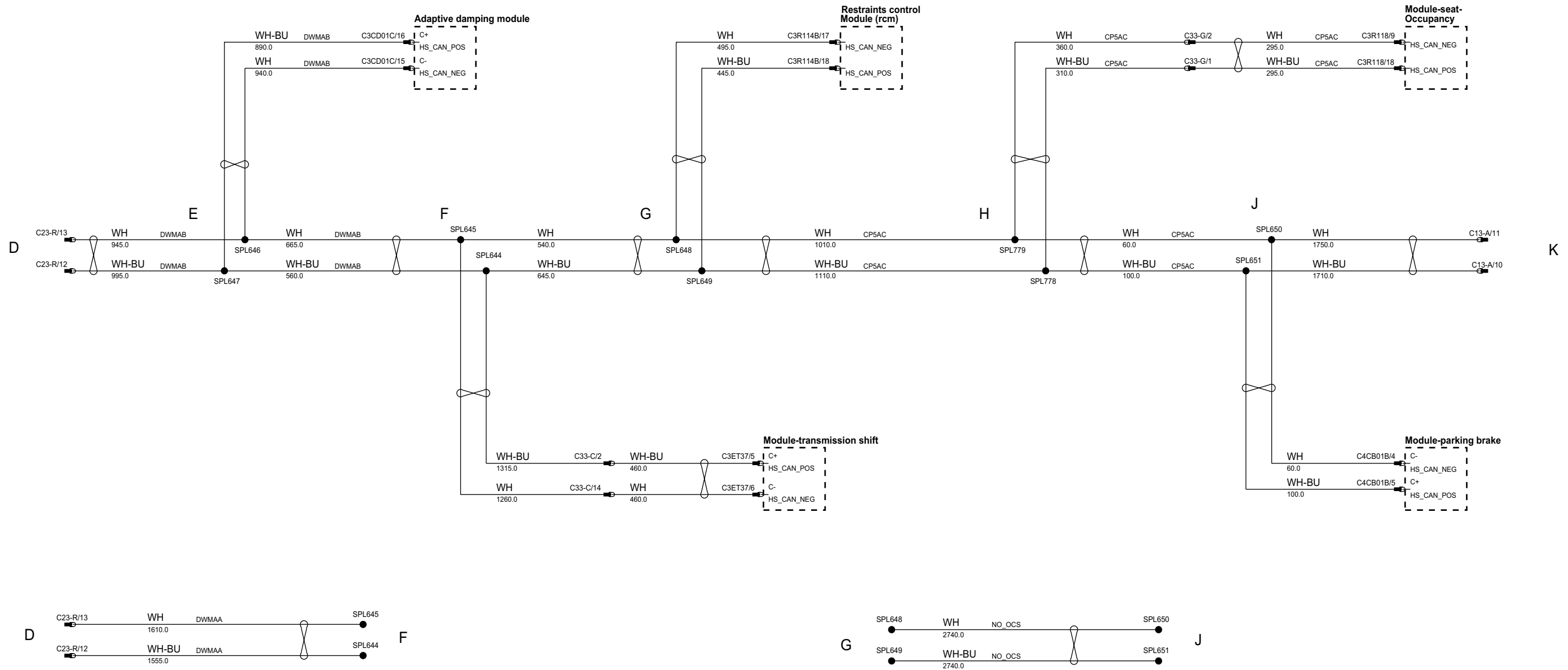
ph8r70016-f-af



jh863-70016-g-af

Continued from previous page

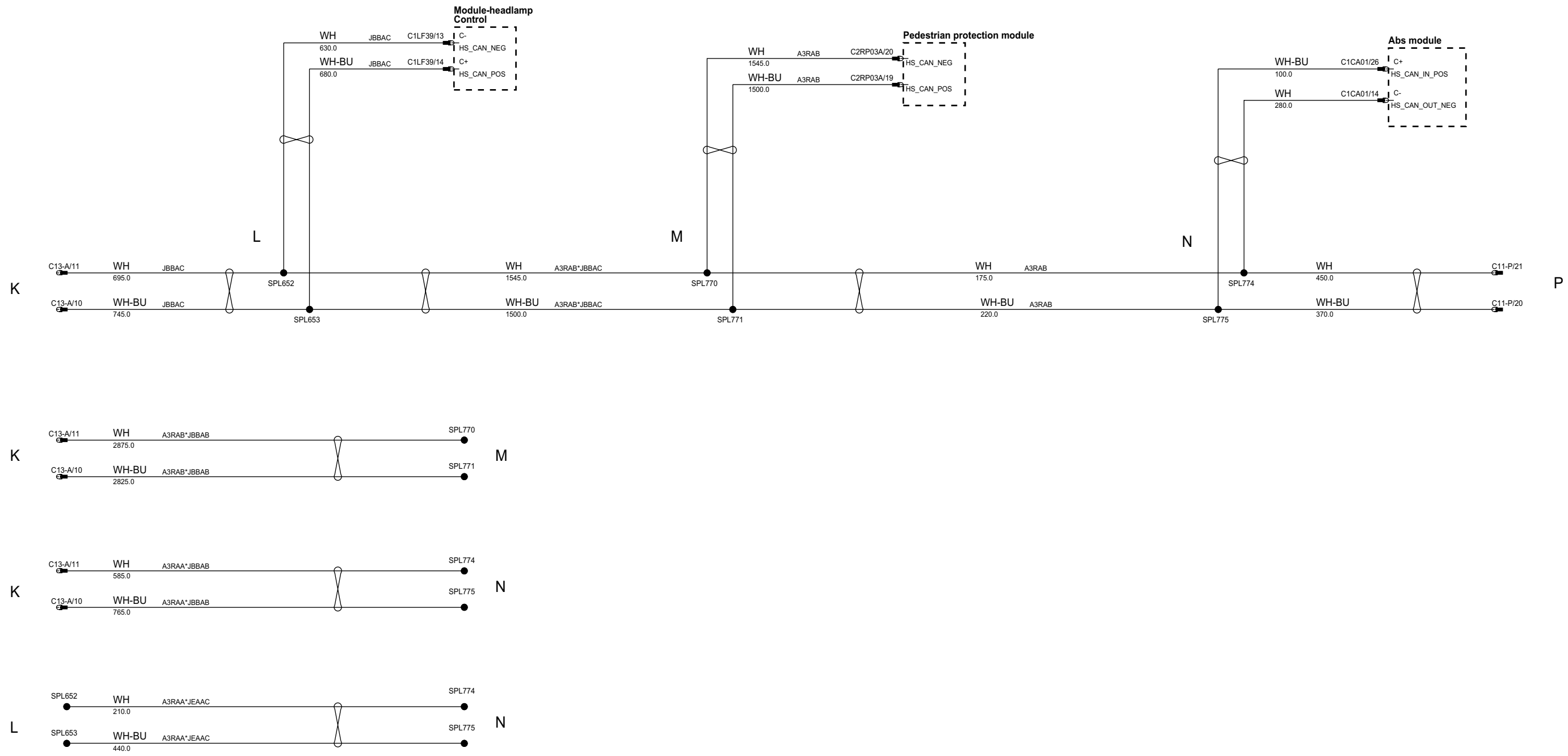
Continued on next page



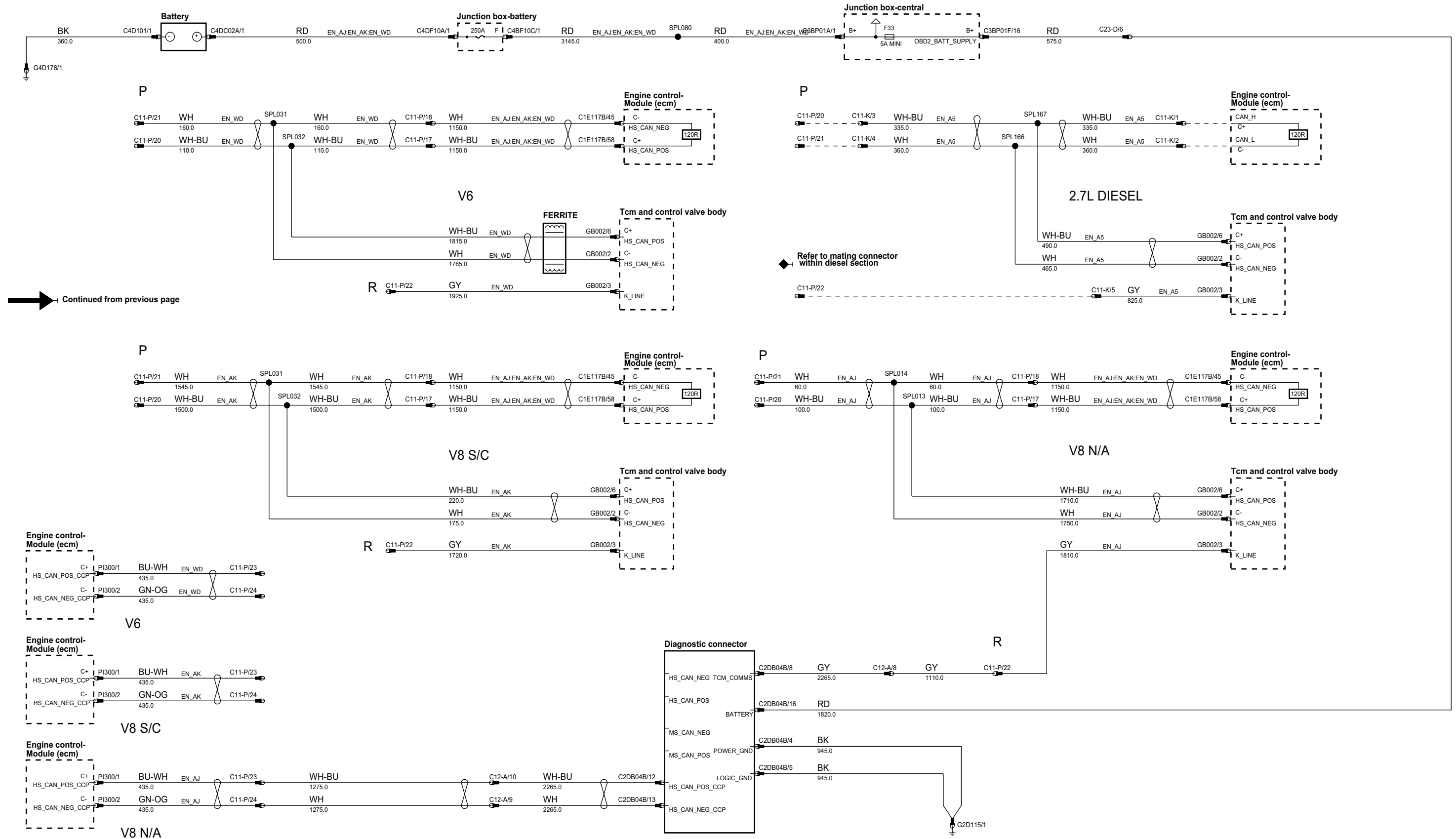
ph8r83-70016-h-af

Continued from previous page

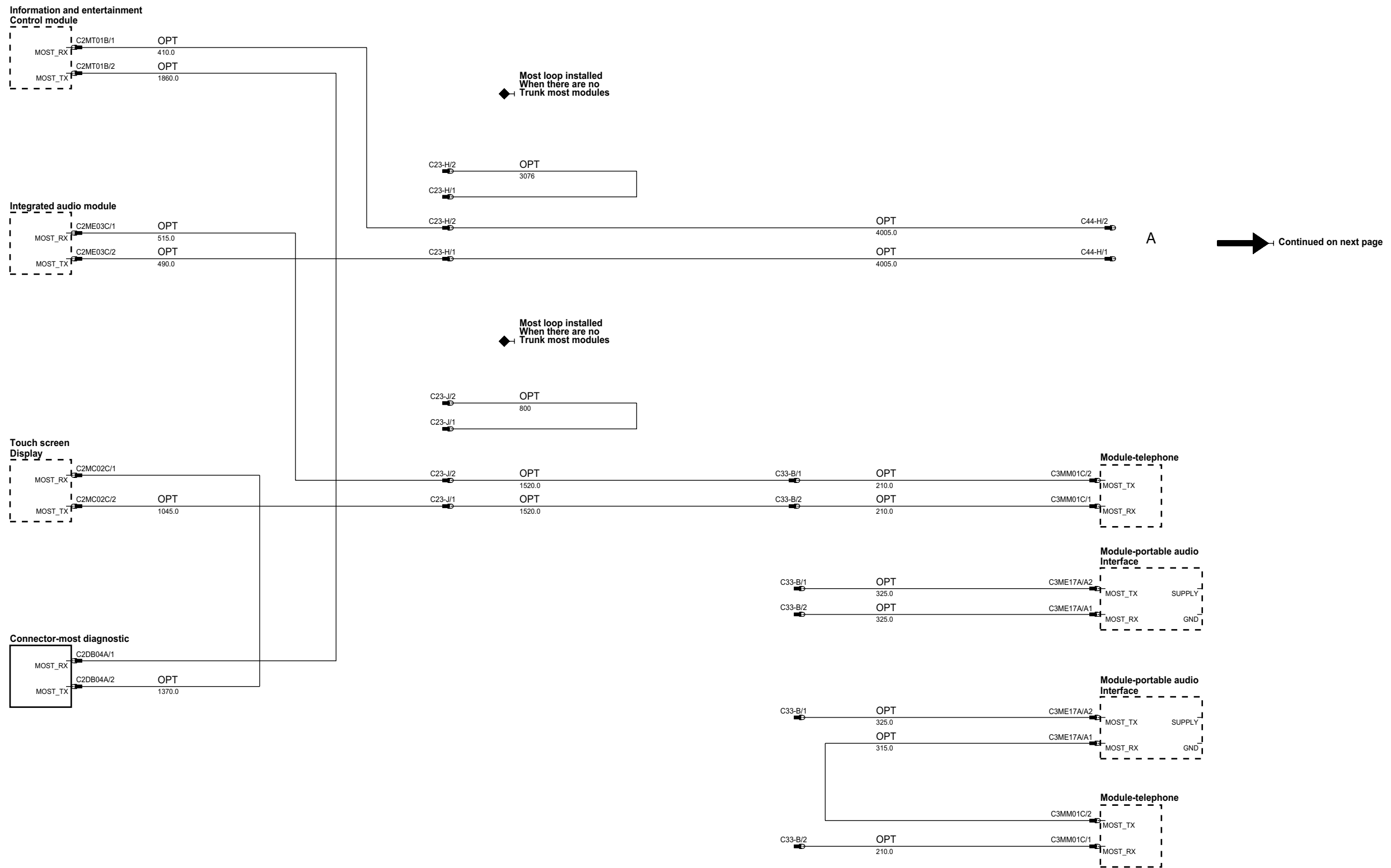
Continued on next page



ph83-70016-jaf



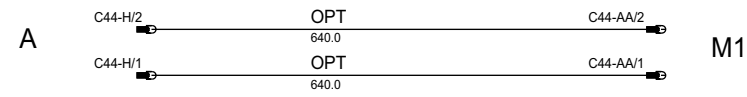
ph8r70016-k-af



ph870016-1-af

➔ Continued from previous page

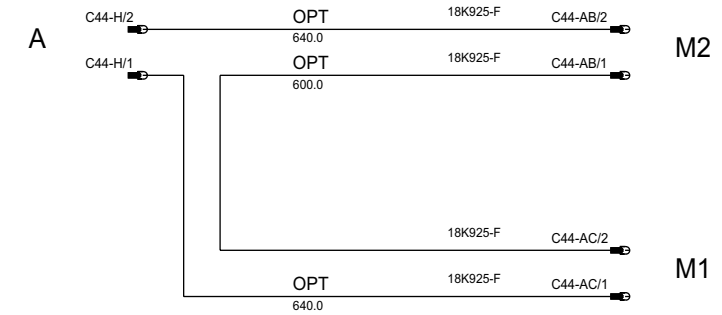
◆ One module(m) only



M1
AMP
MMM
DAB or SDARS
TV

➔ Continued from previous page

◆ Two module(m) combination

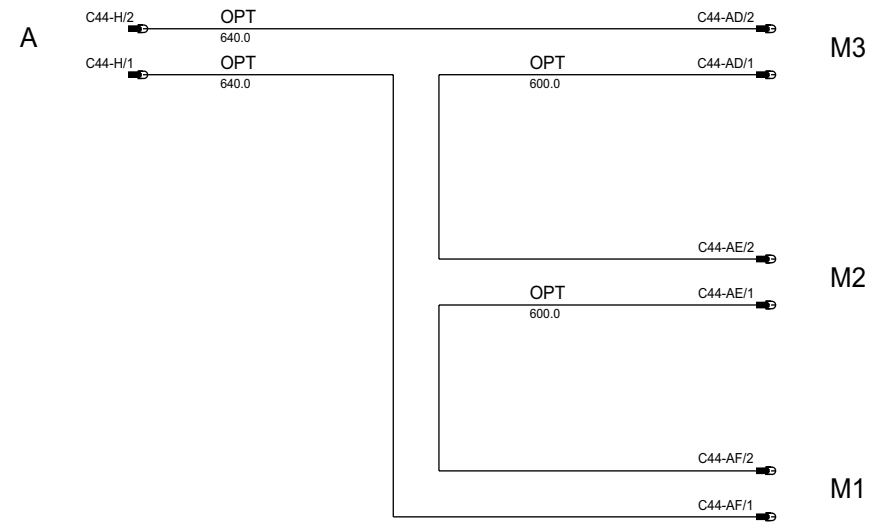


M1	M2
AMP	MMM
AMP	DAB or SDARS
AMP	TV
MMM	DAB or SDARS
MMM	TV
DAB or SDARS	TV

h8r63-70016-m-af

Continued from previous page

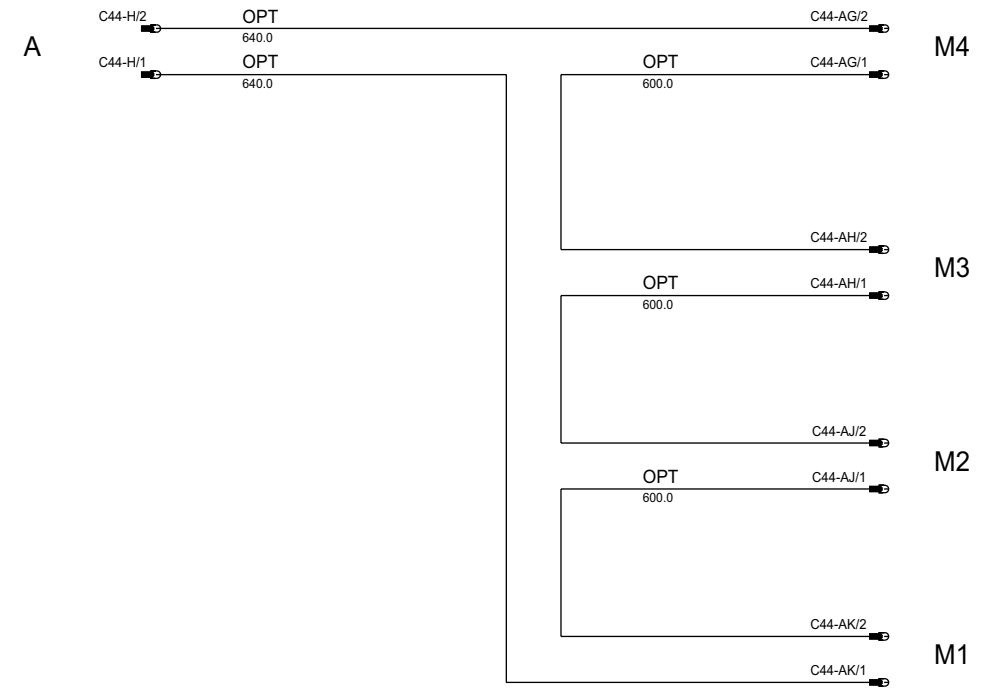
Three module(m) combination



M1	M2	M3
AMP	MMM	DAB or SDARS
AMP	MMM	TV
AMP	DAB or SDARS	TV
MMM	DAB or SDARS	TV

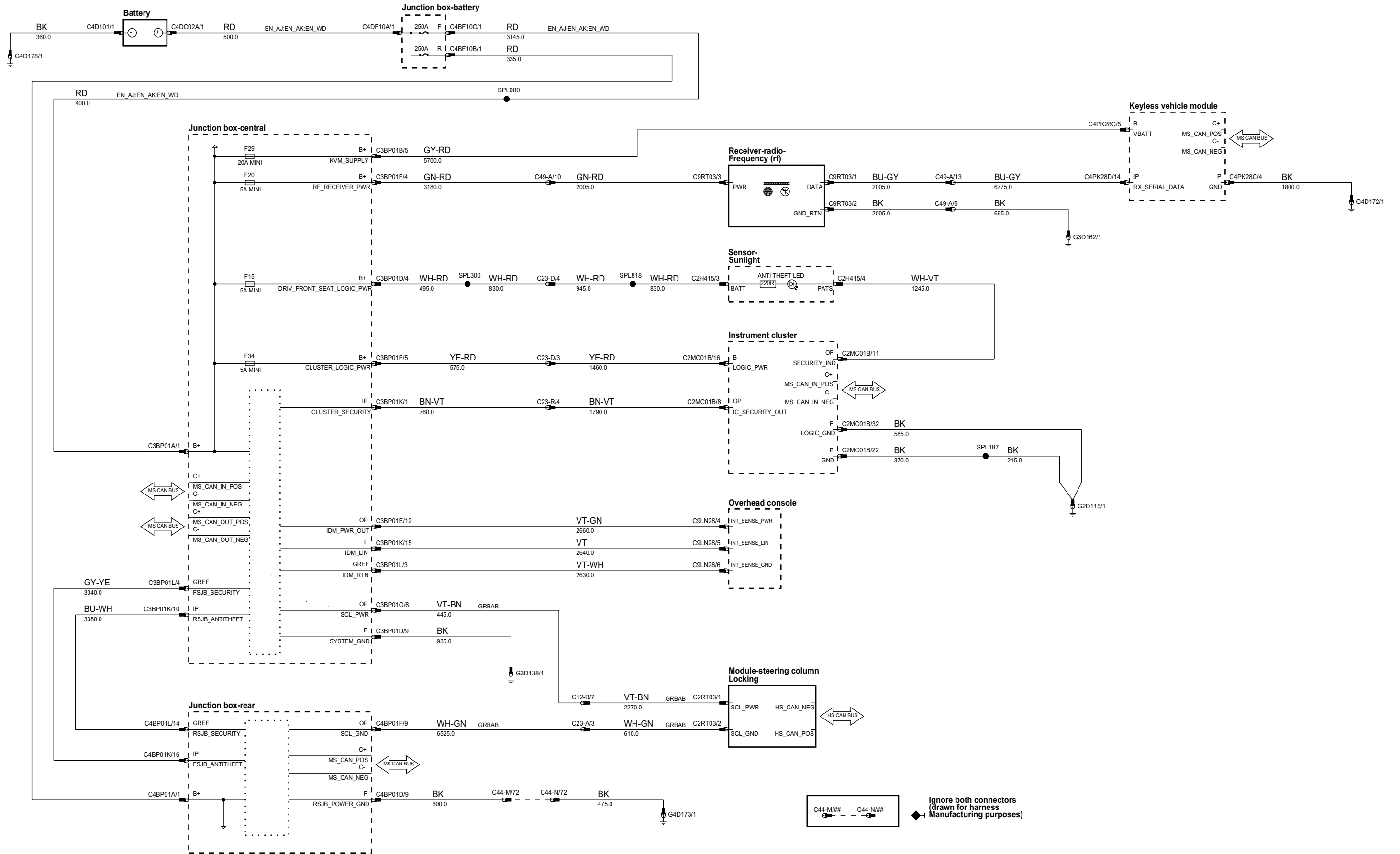
Continued from previous page

Four module(m) combination

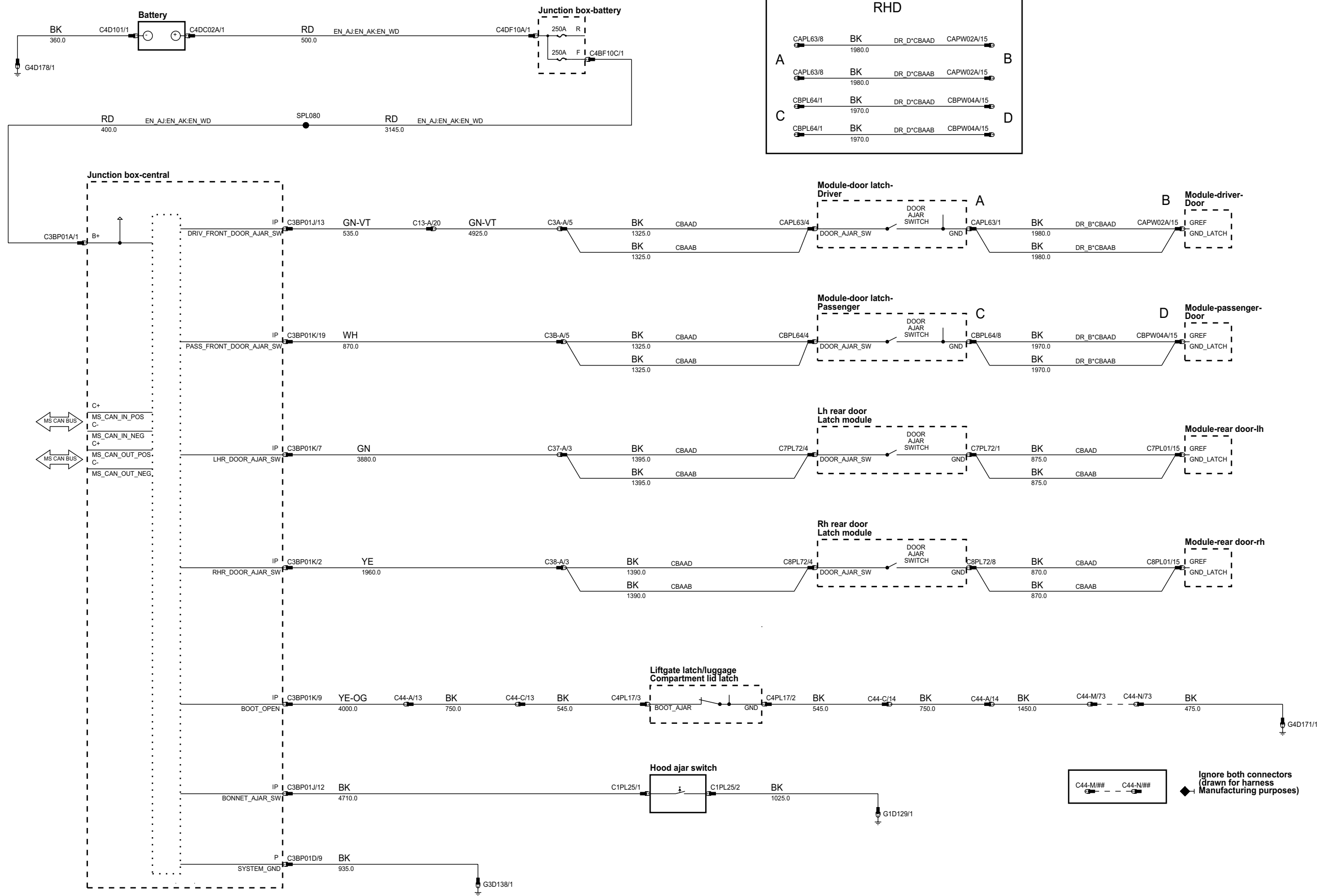


M1	M2	M3	M4
AMP	MMM	DAB or SDARS	TV

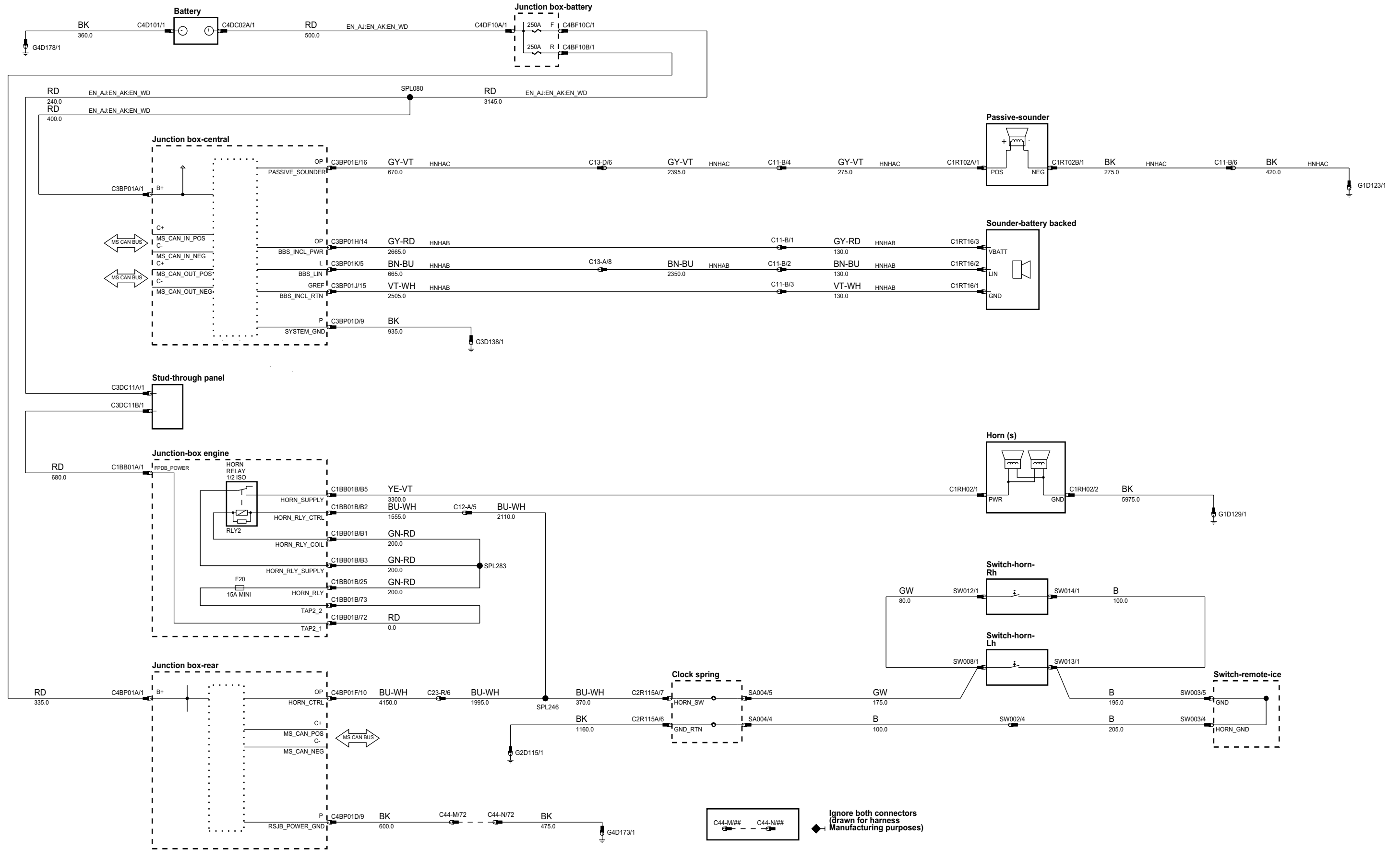
ph8r83-70395-a-af



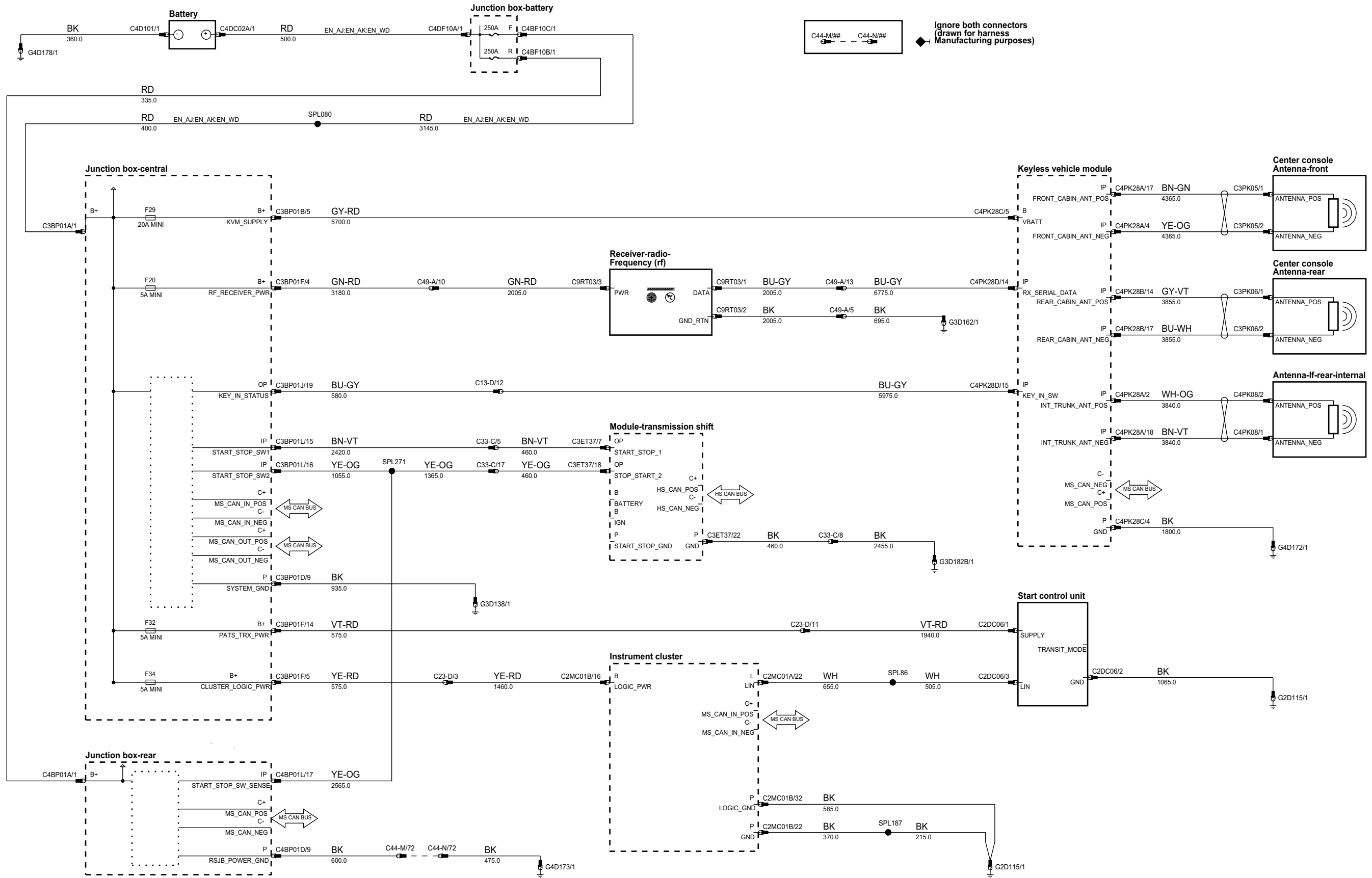
ph8r83-70395-b-af



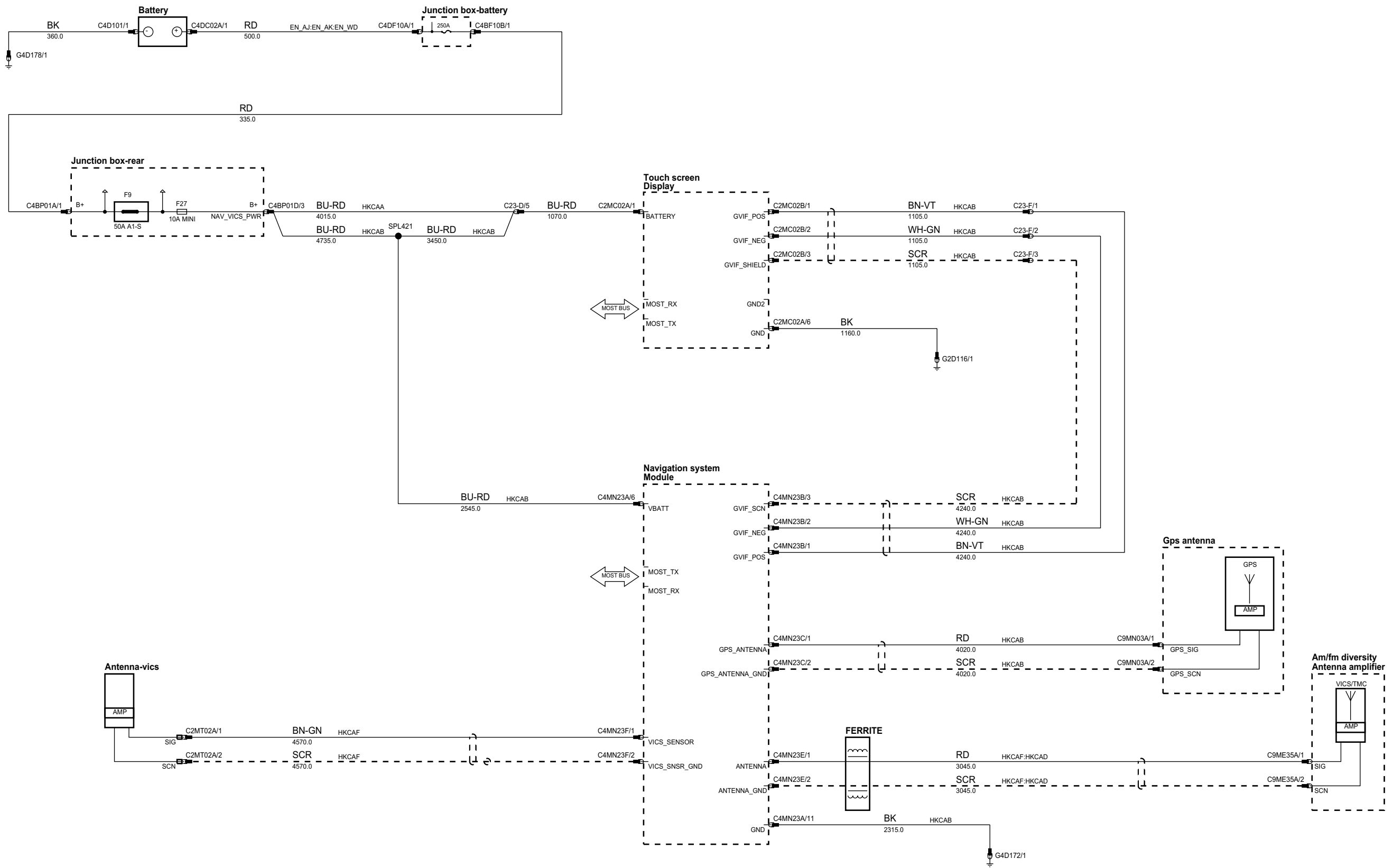
ph8r83-70395-c-af



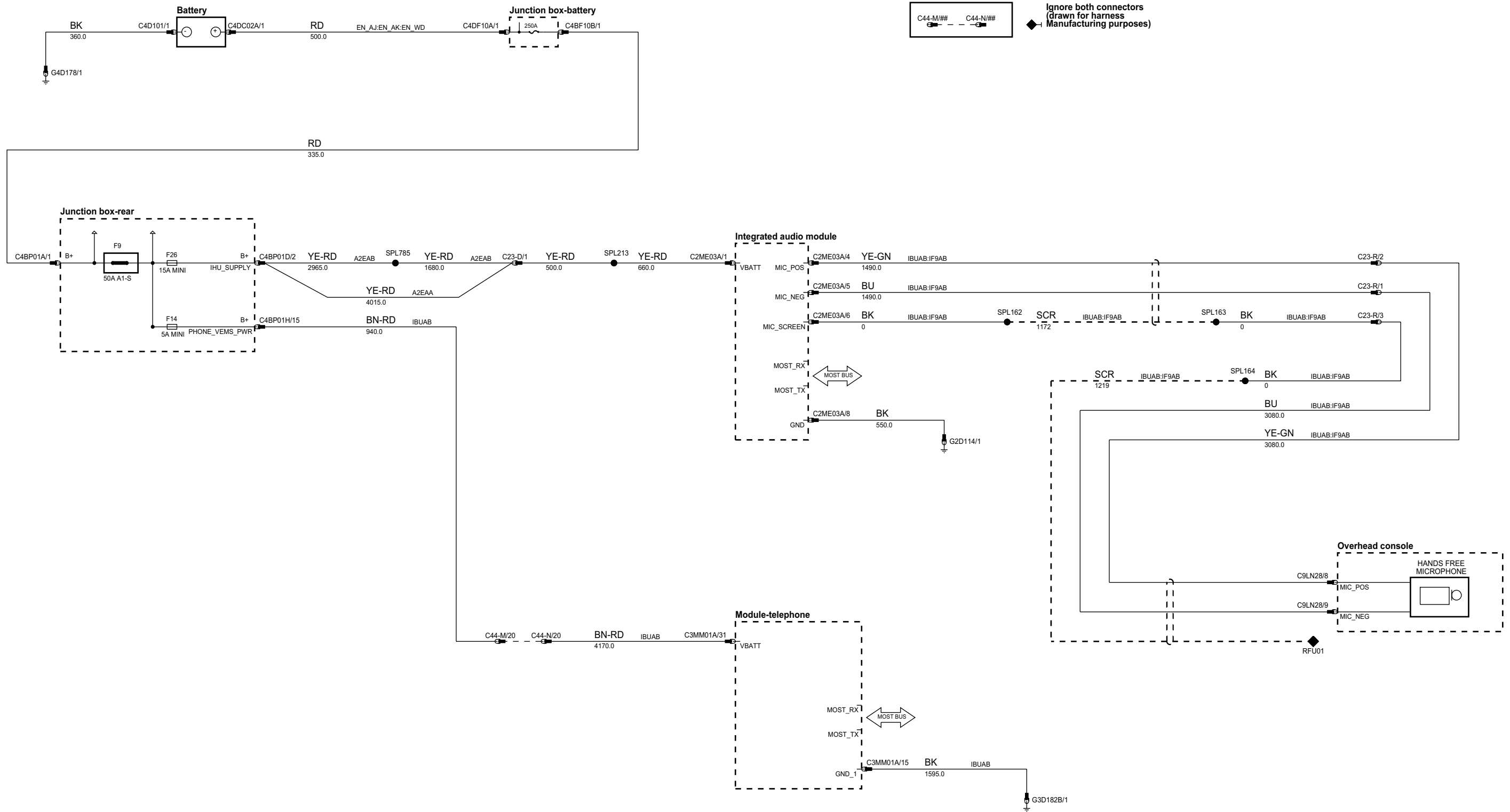
ph8r83-70410-a-af



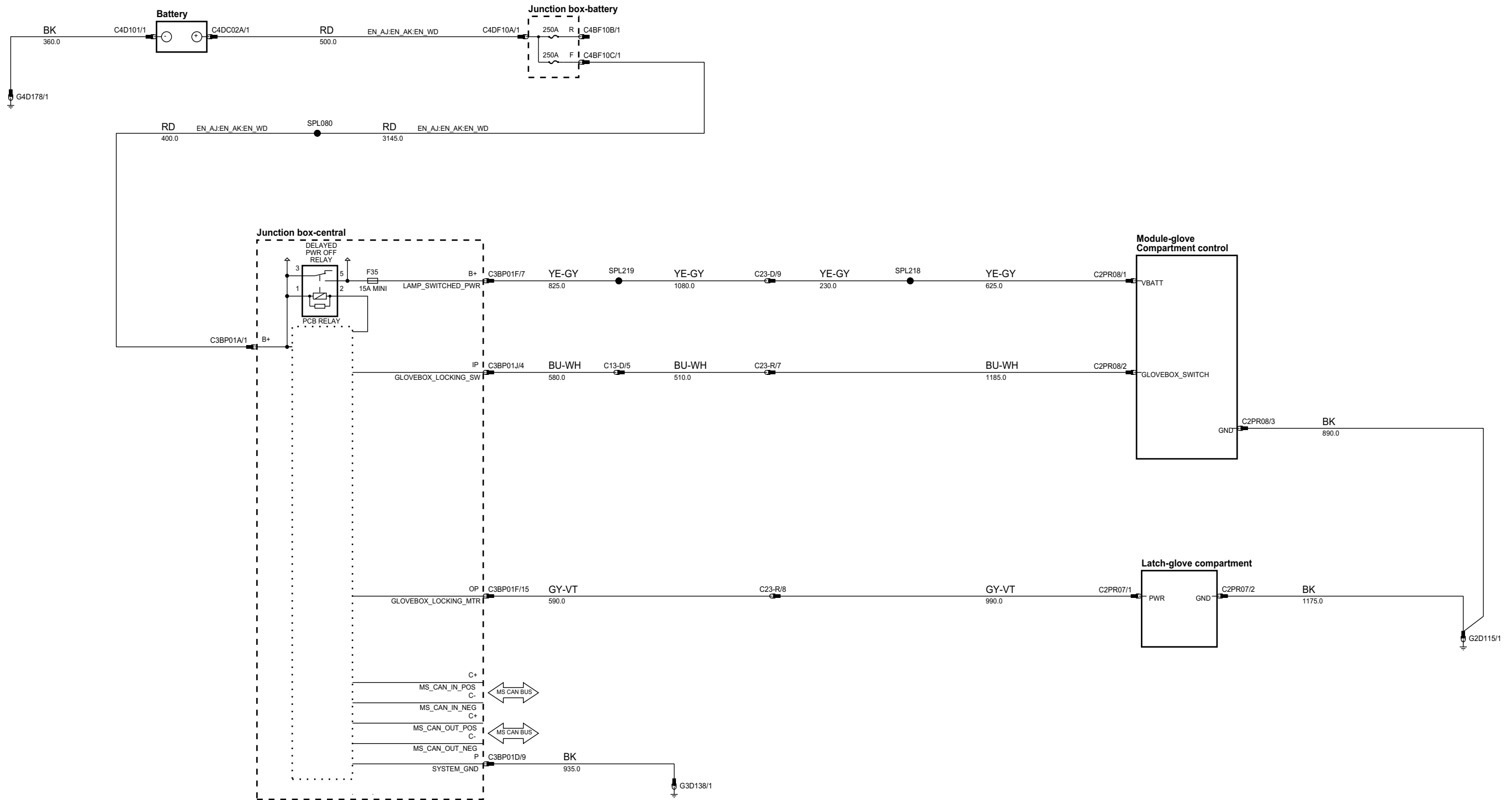
ph8r83-70477-a-af



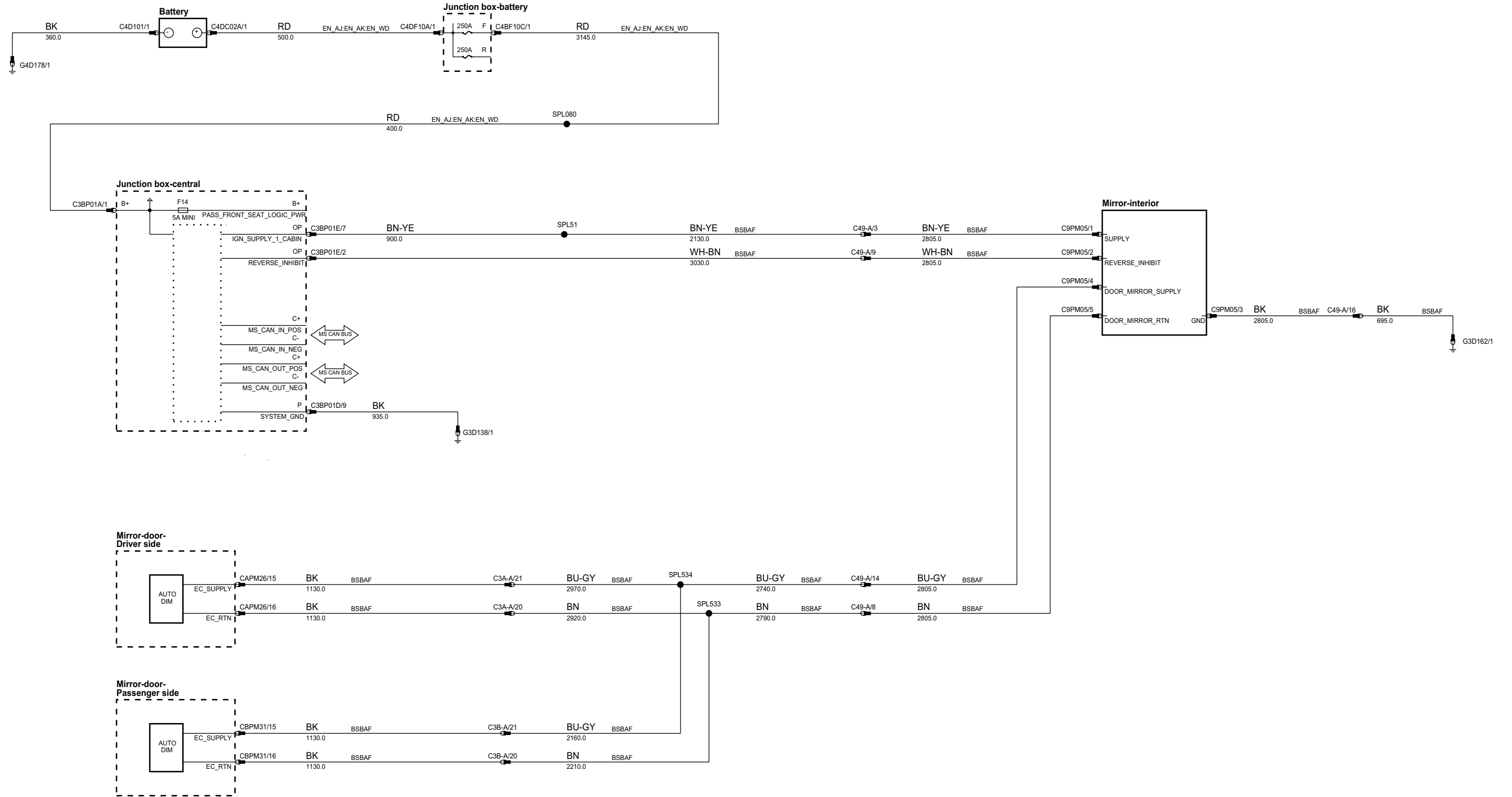
ph8r83-70460-a-af



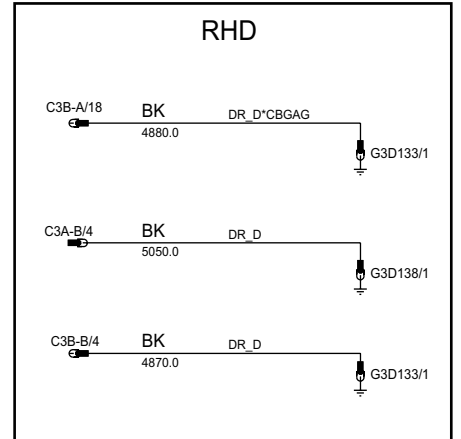
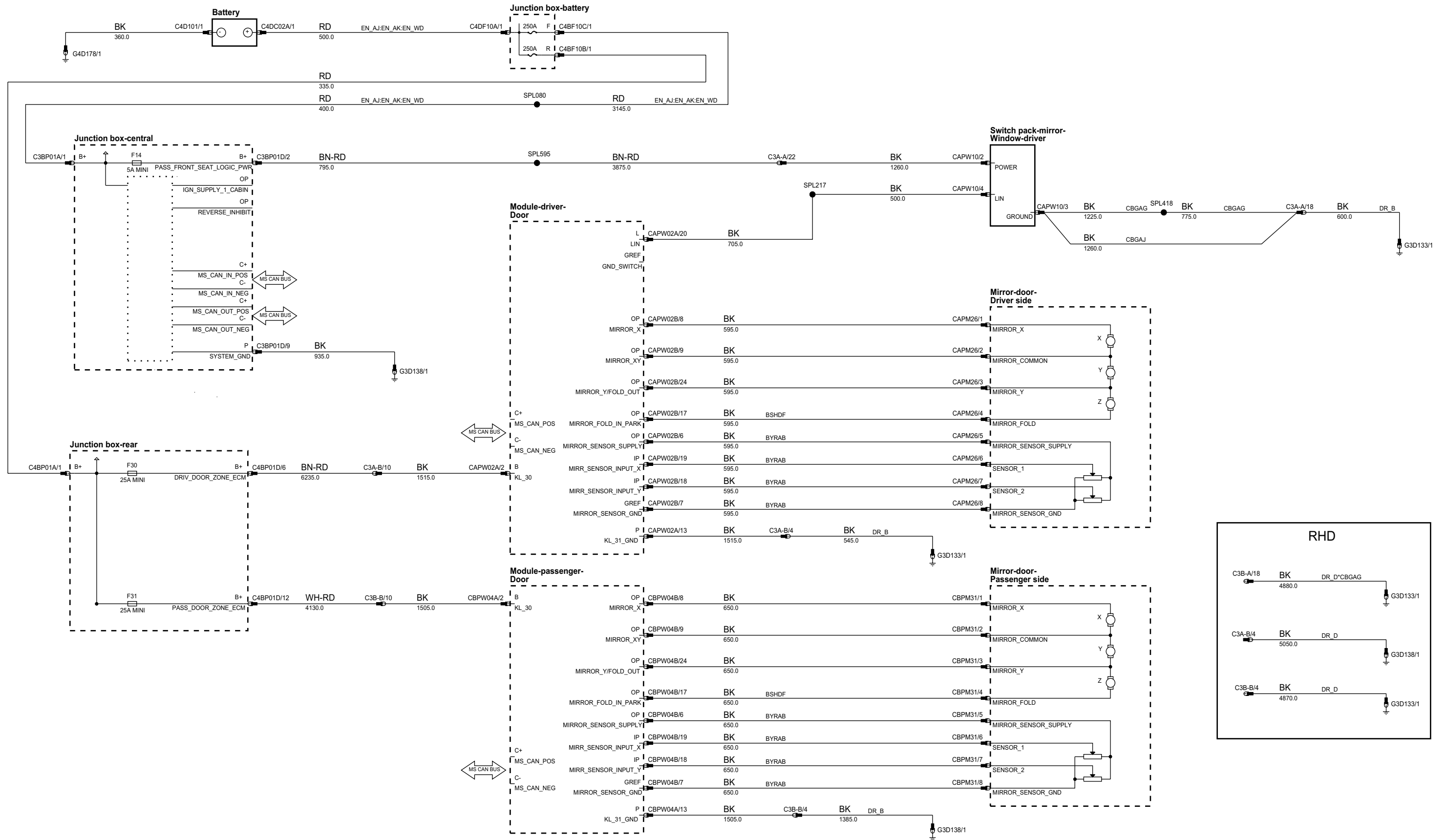
ph883-70101-b-af



ph8r83-70331-a-af

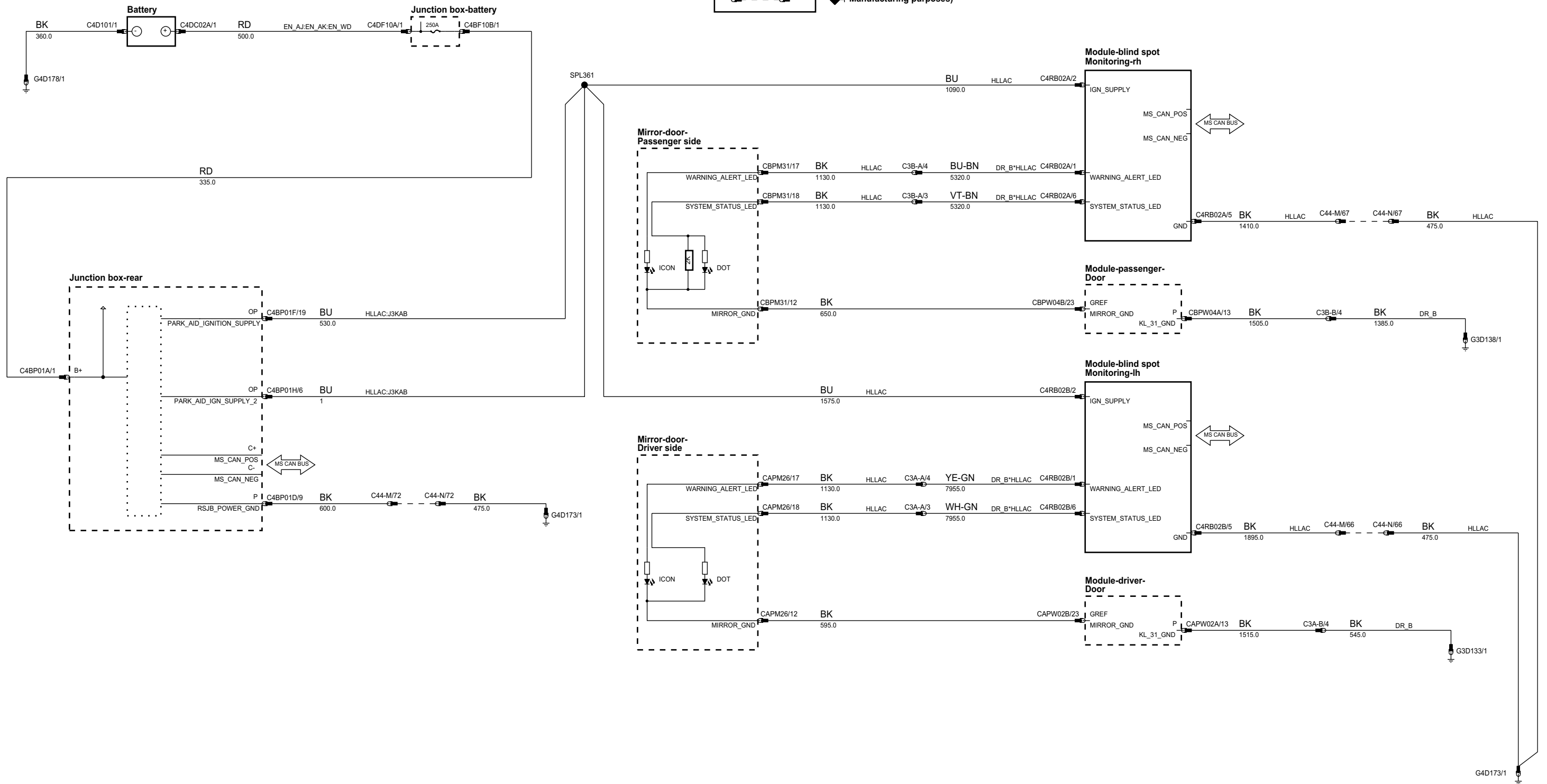


ph8r83-70333-a-af

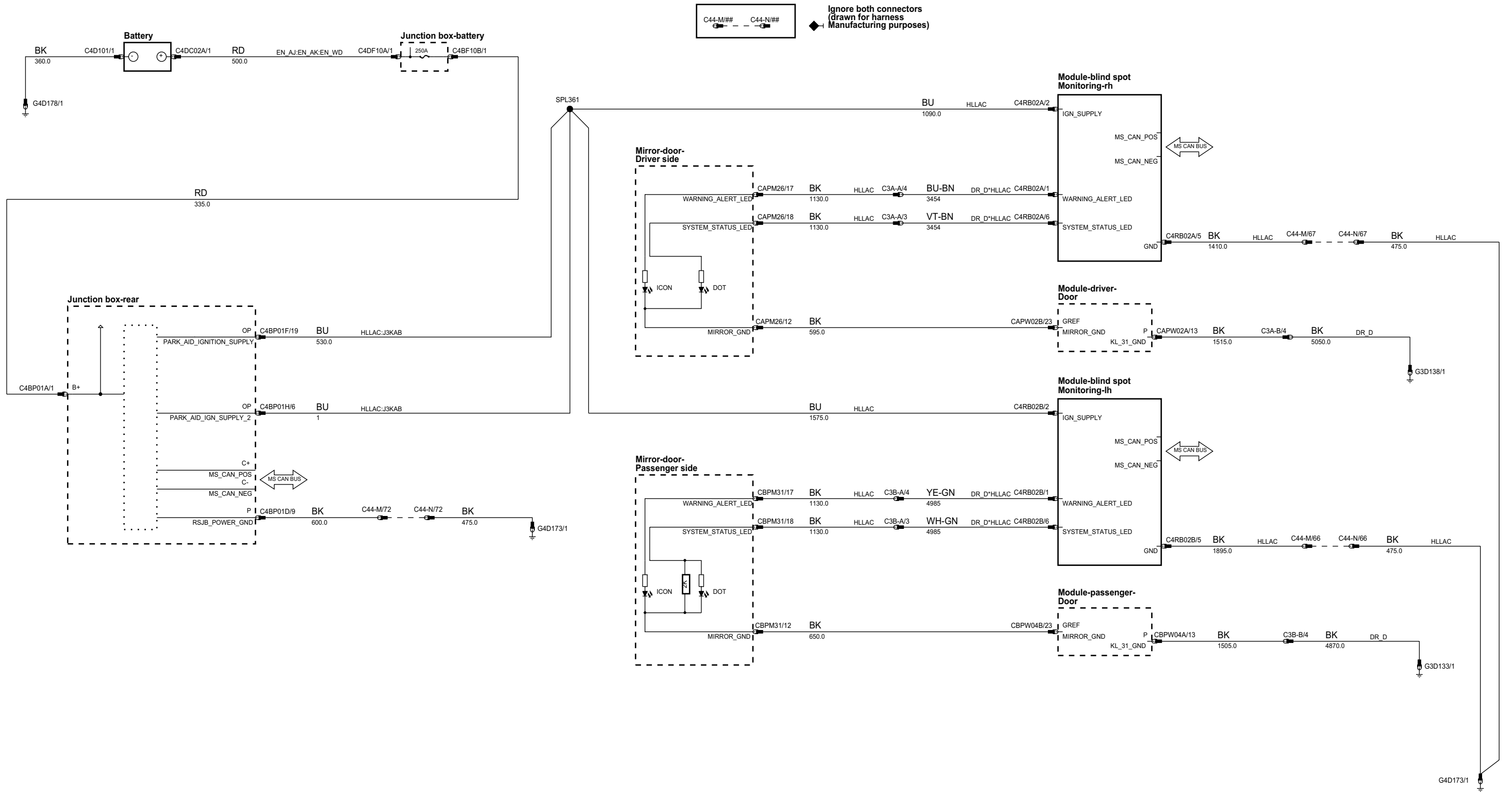


ph8r83-70483-a-af

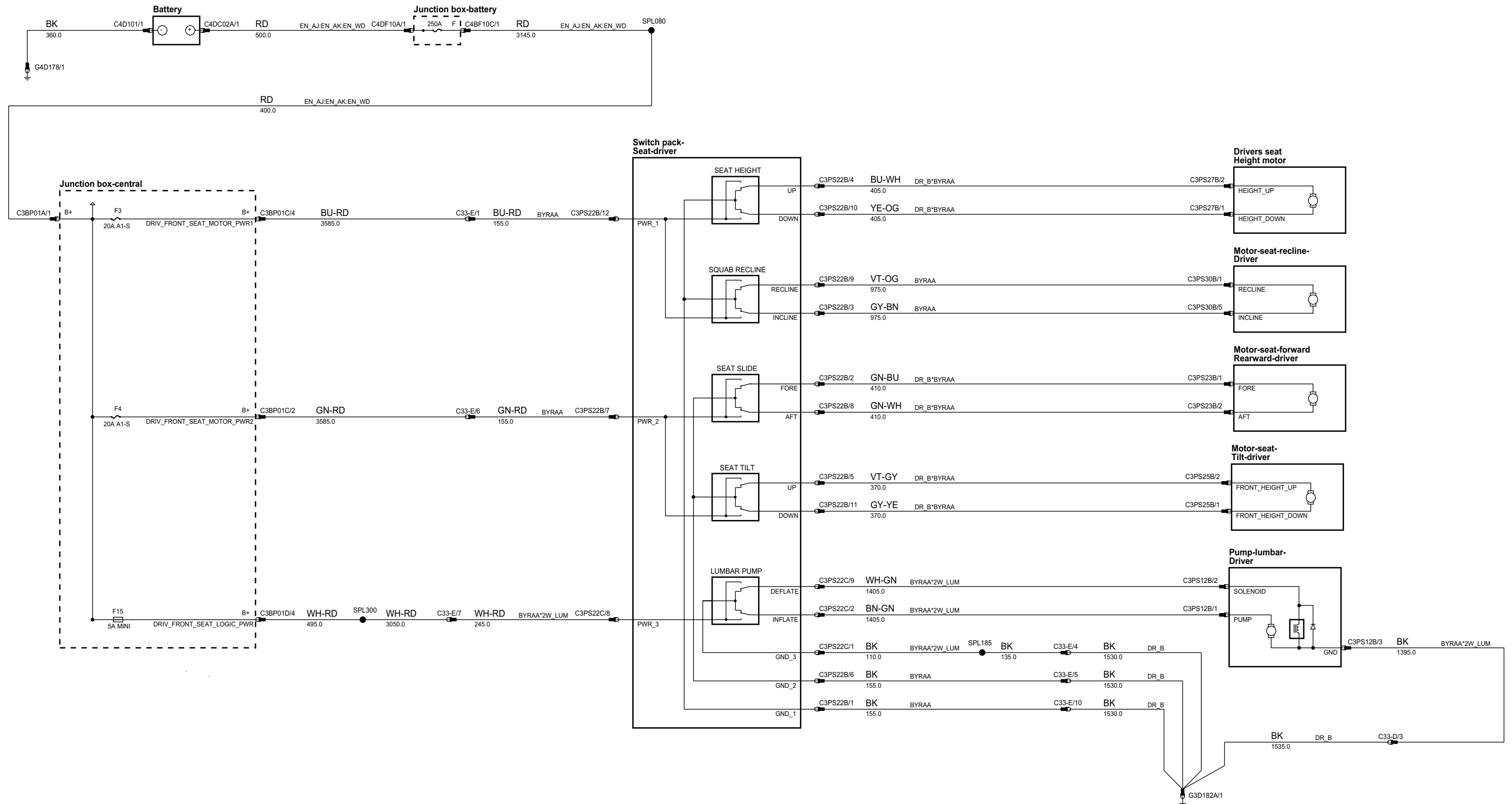
C44-M### C44-N###
 Ignore both connectors
 (drawn for harness
 Manufacturing purposes)



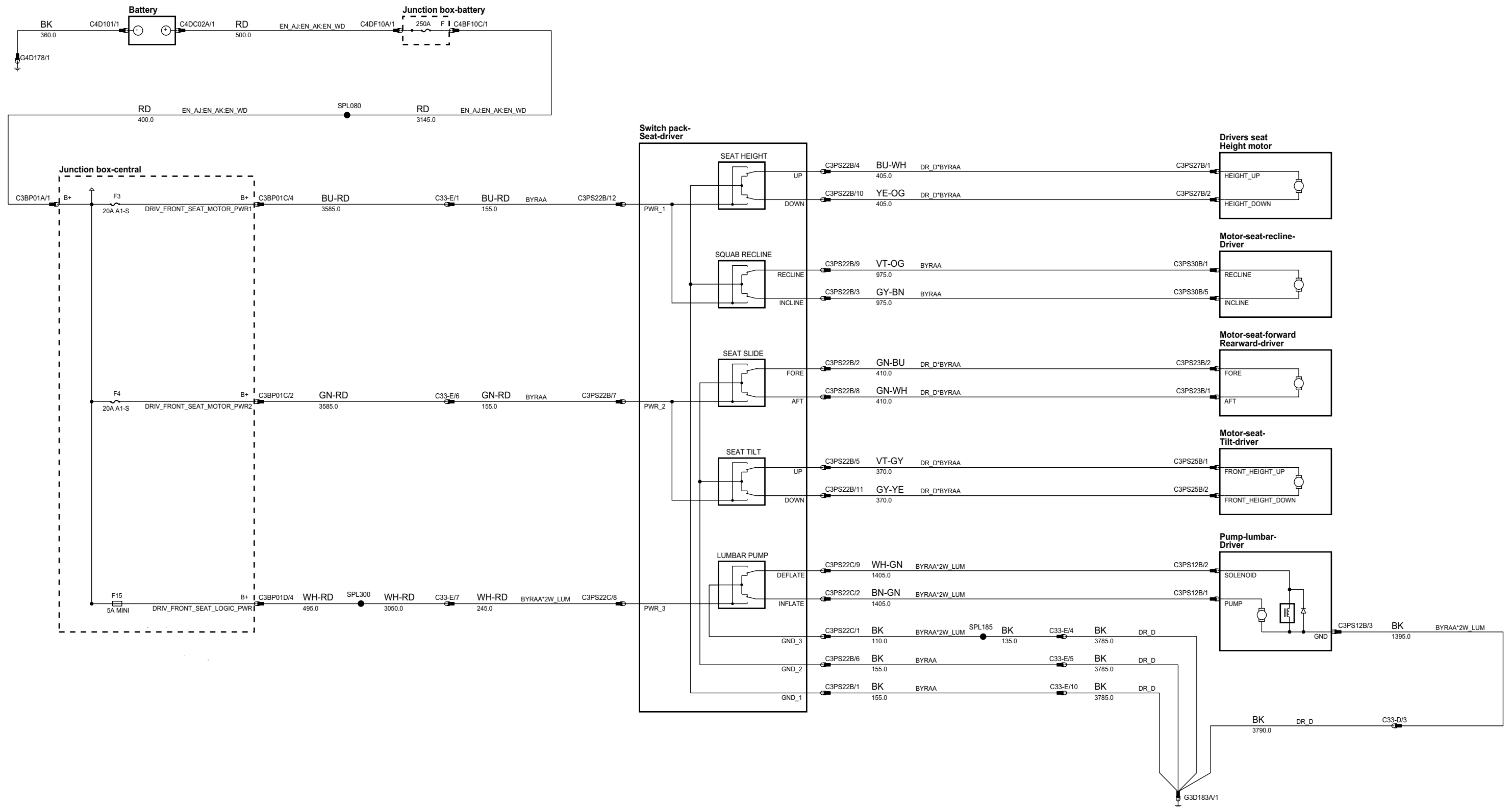
ph8r83-70483-b-af



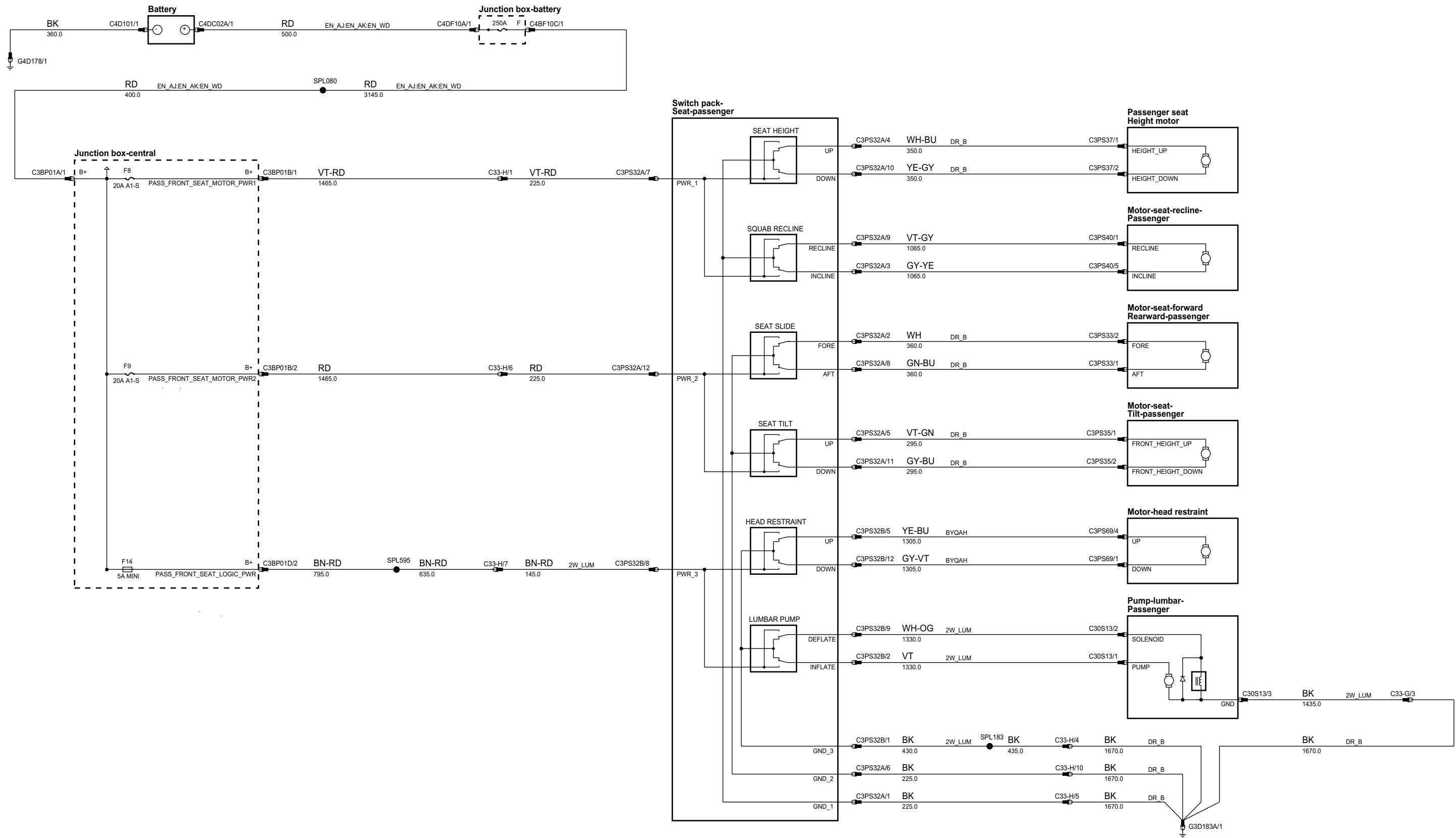
ph8r83-70340-a-af



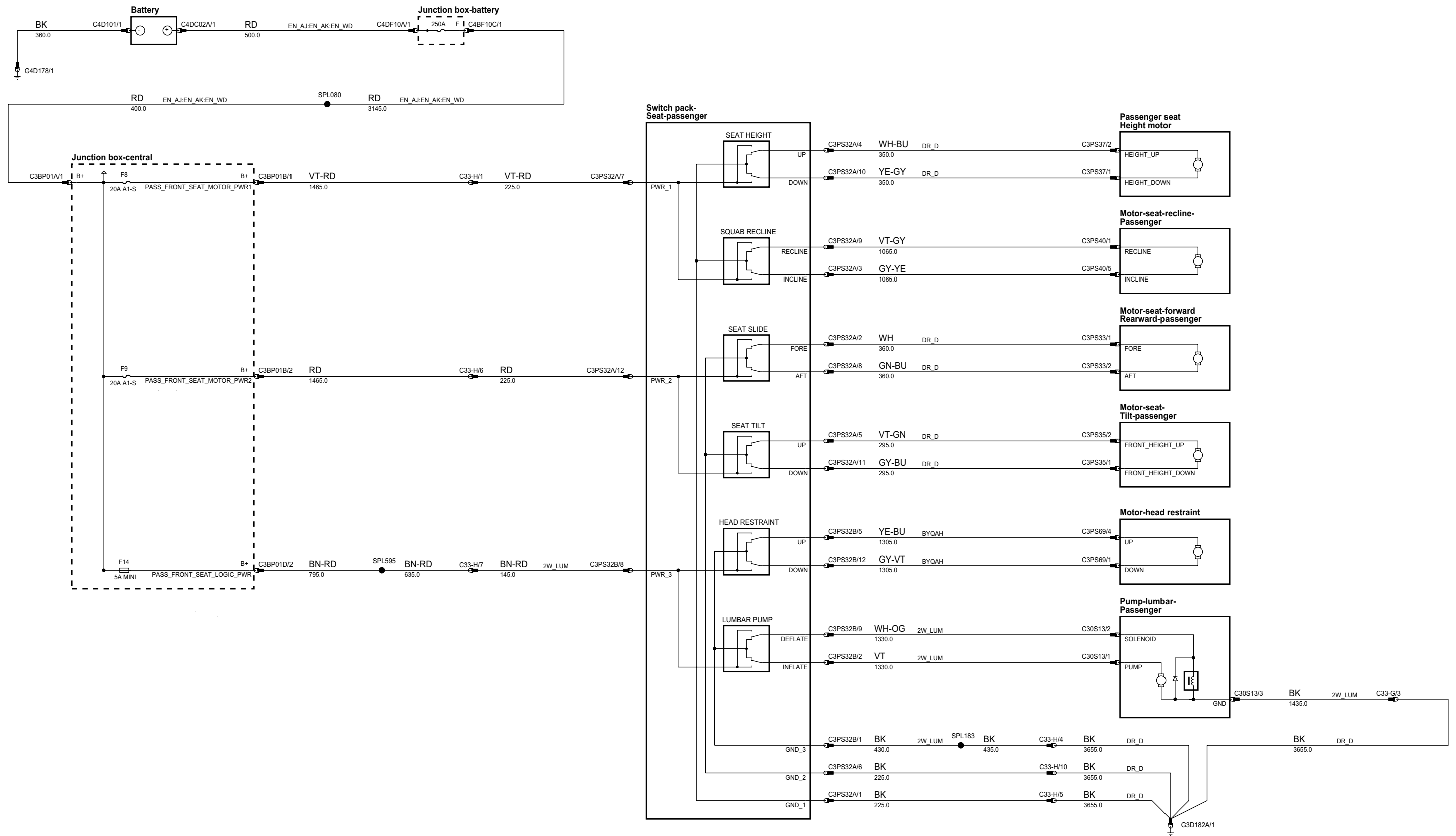
ph883-70340-b-af



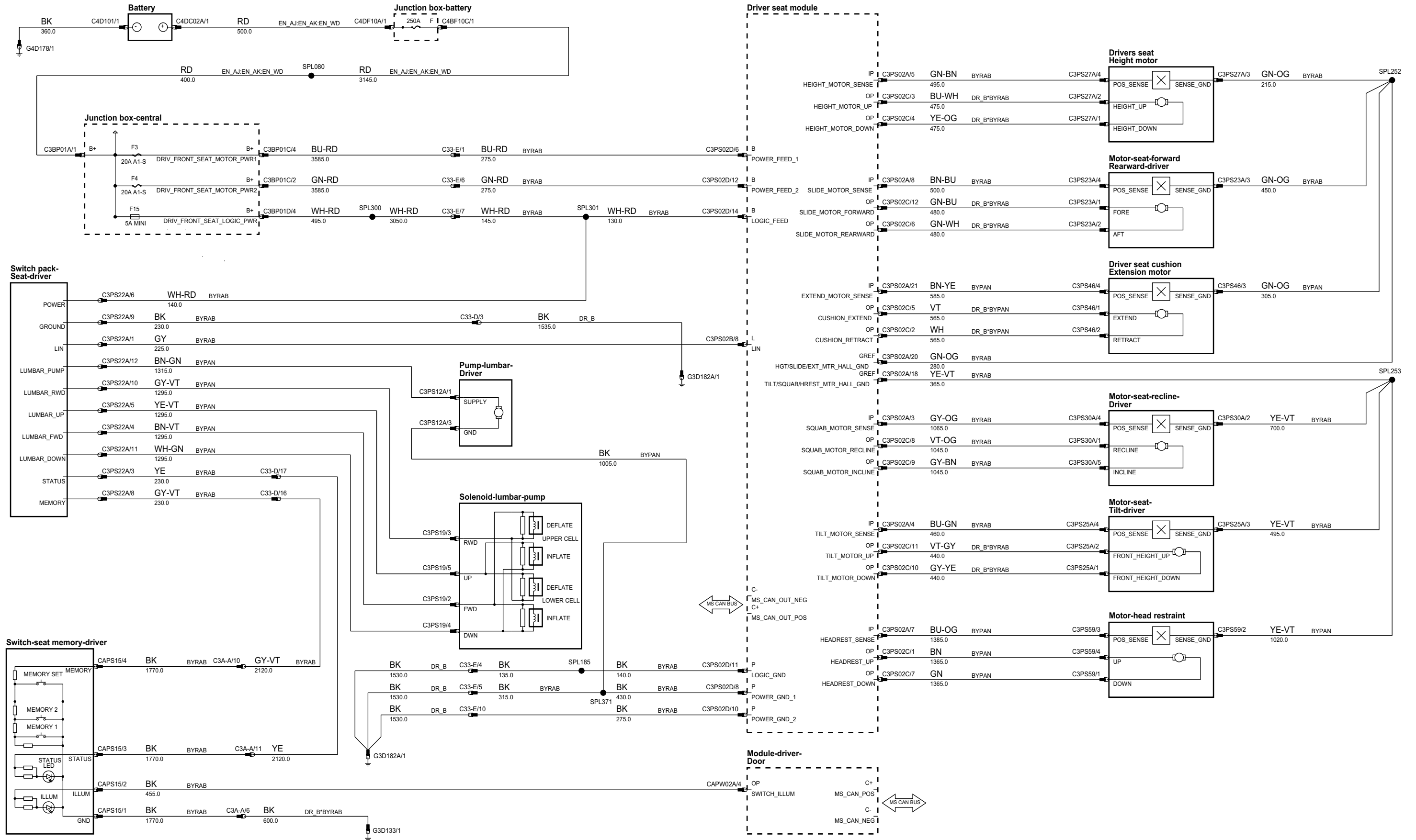
ph8r83-70343-a-af



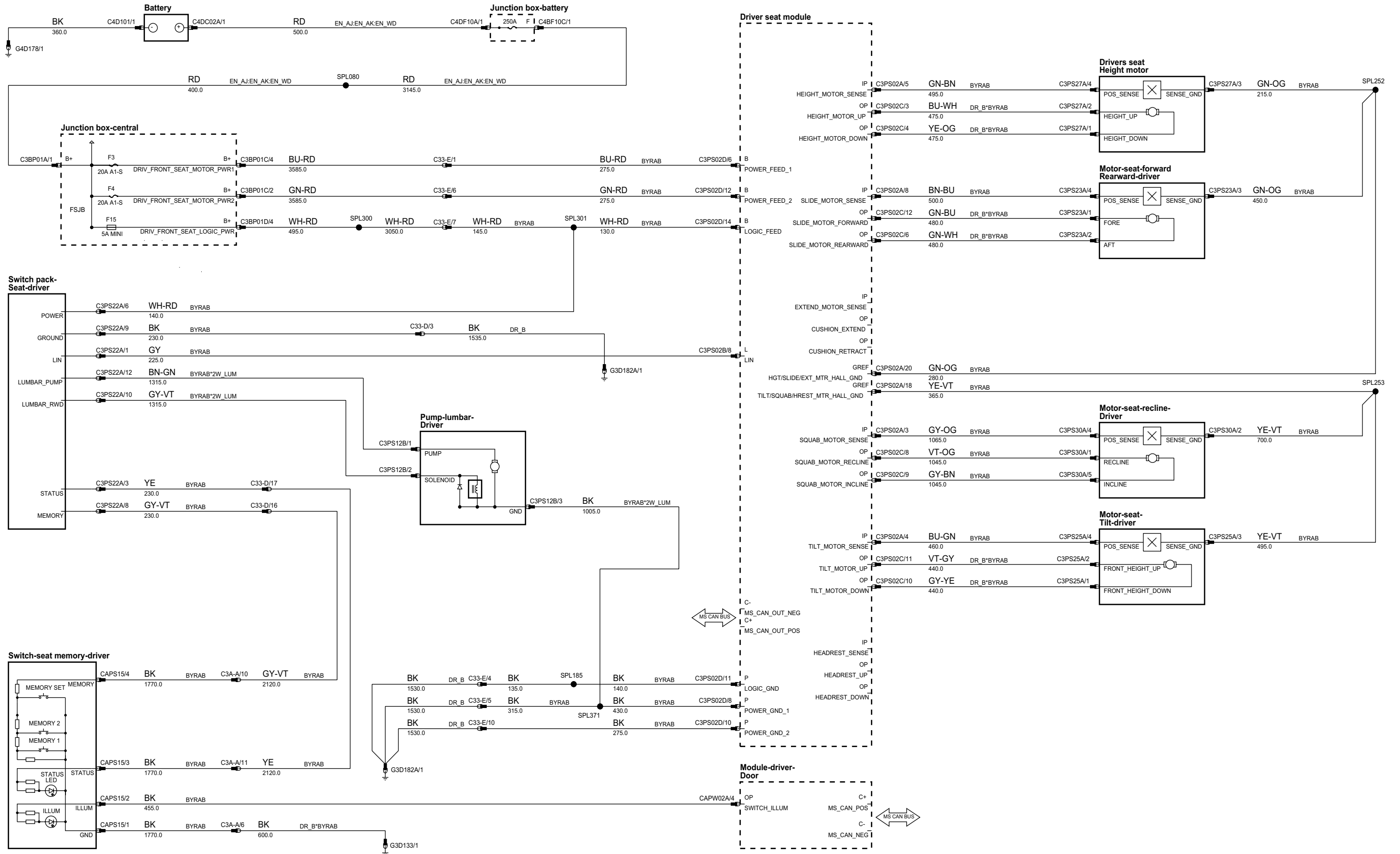
ph883-70343-b-af



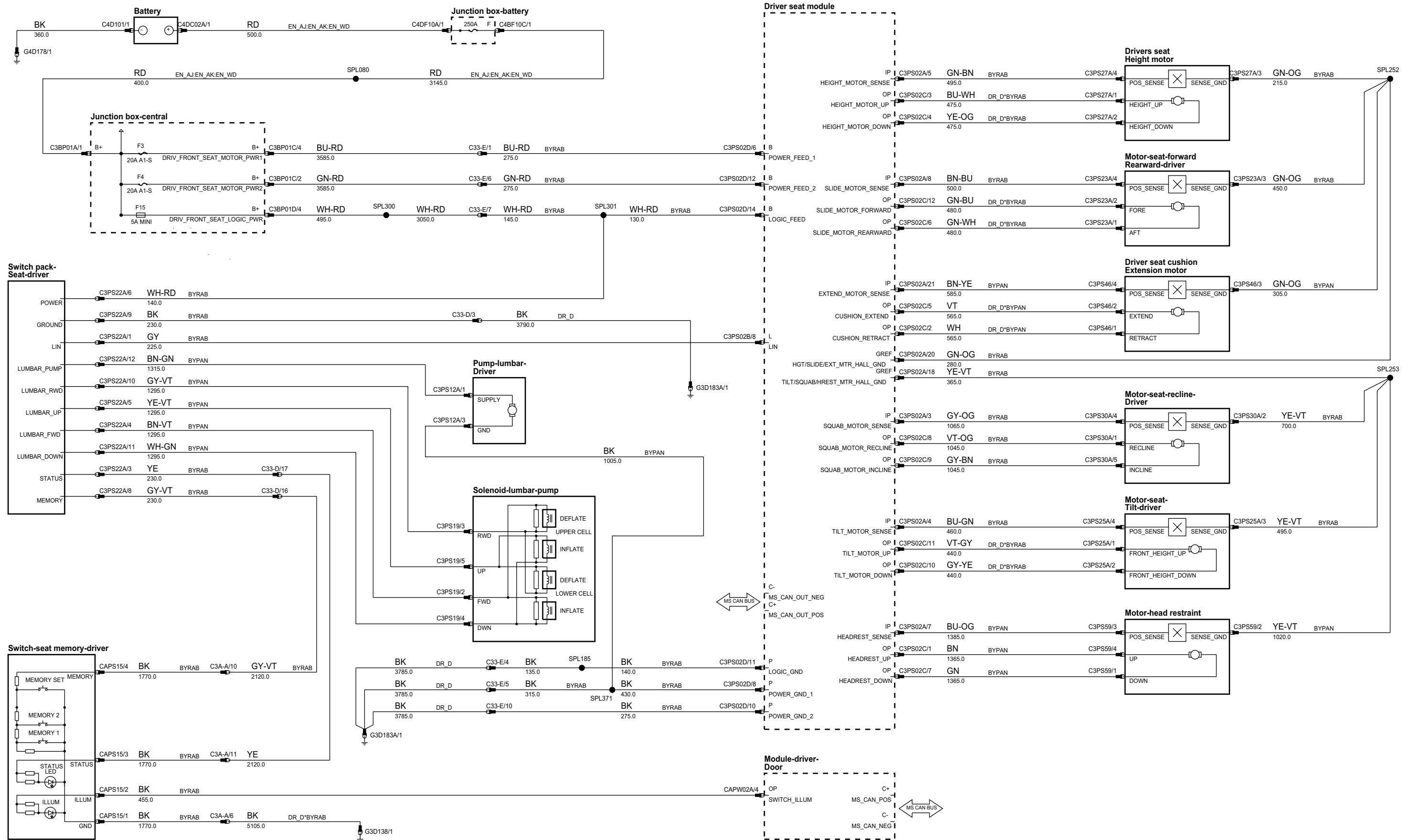
ph8r3-70346-a-af



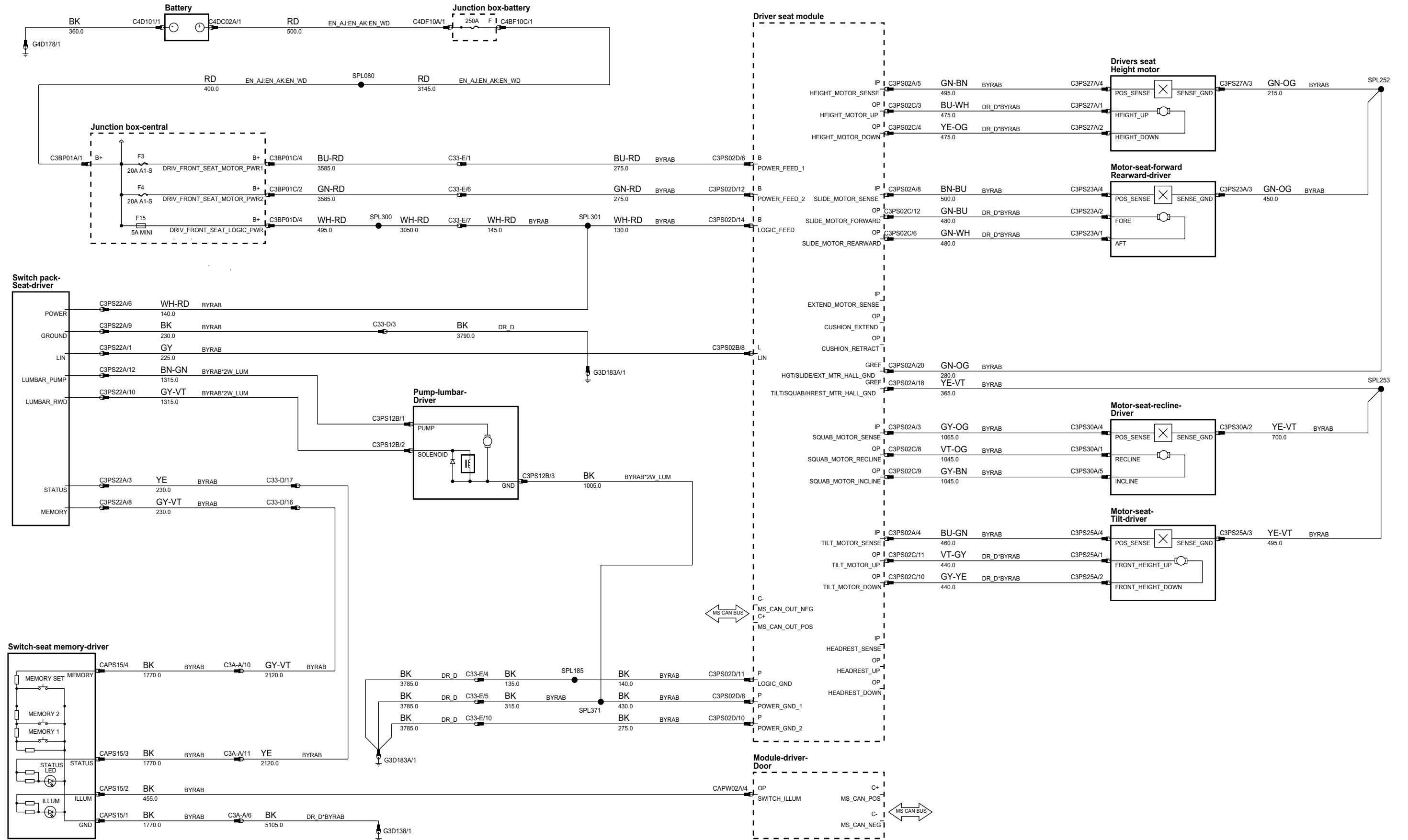
ph8r63-70346-b-af



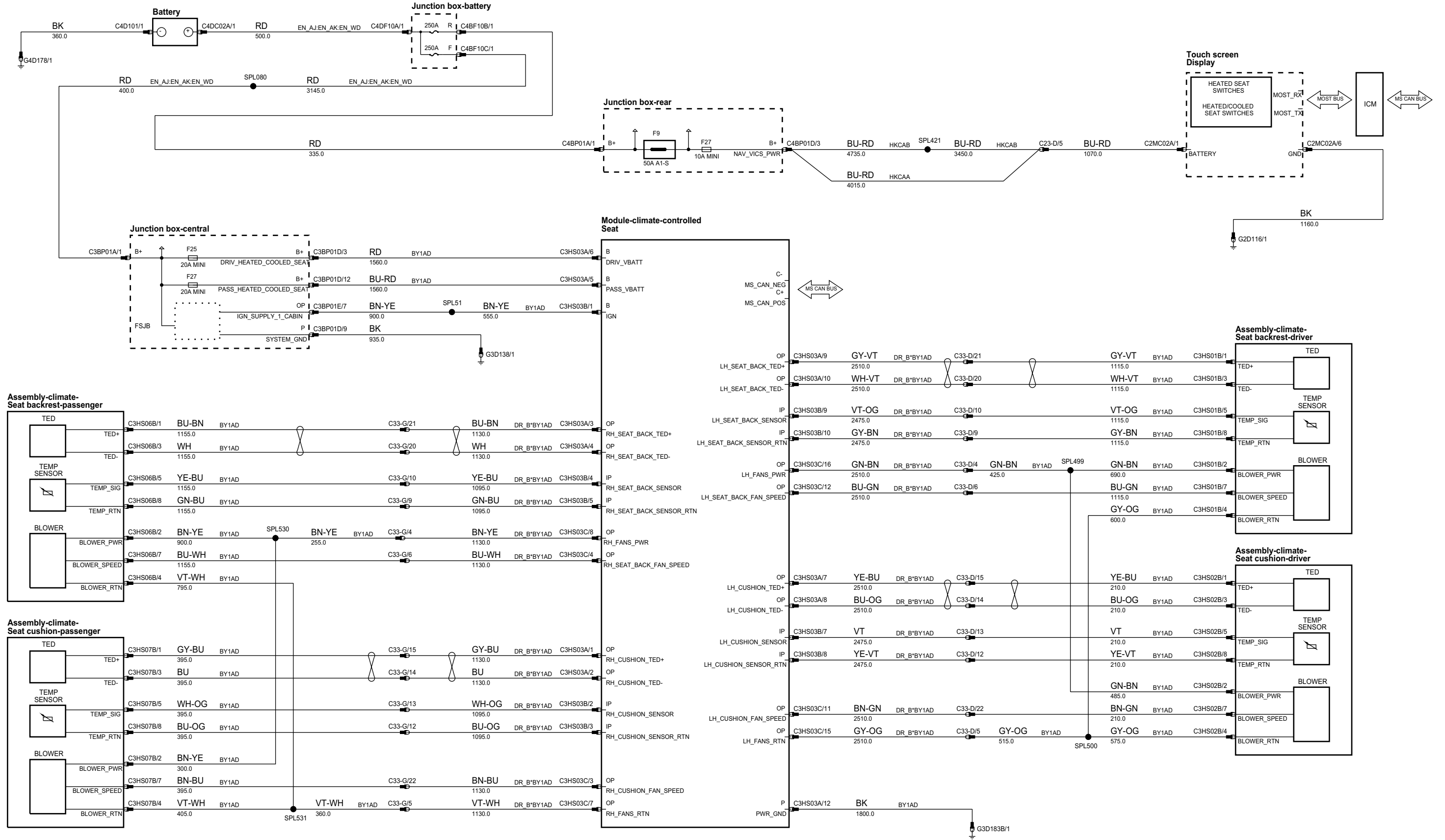
ph8r83-70346-c-af



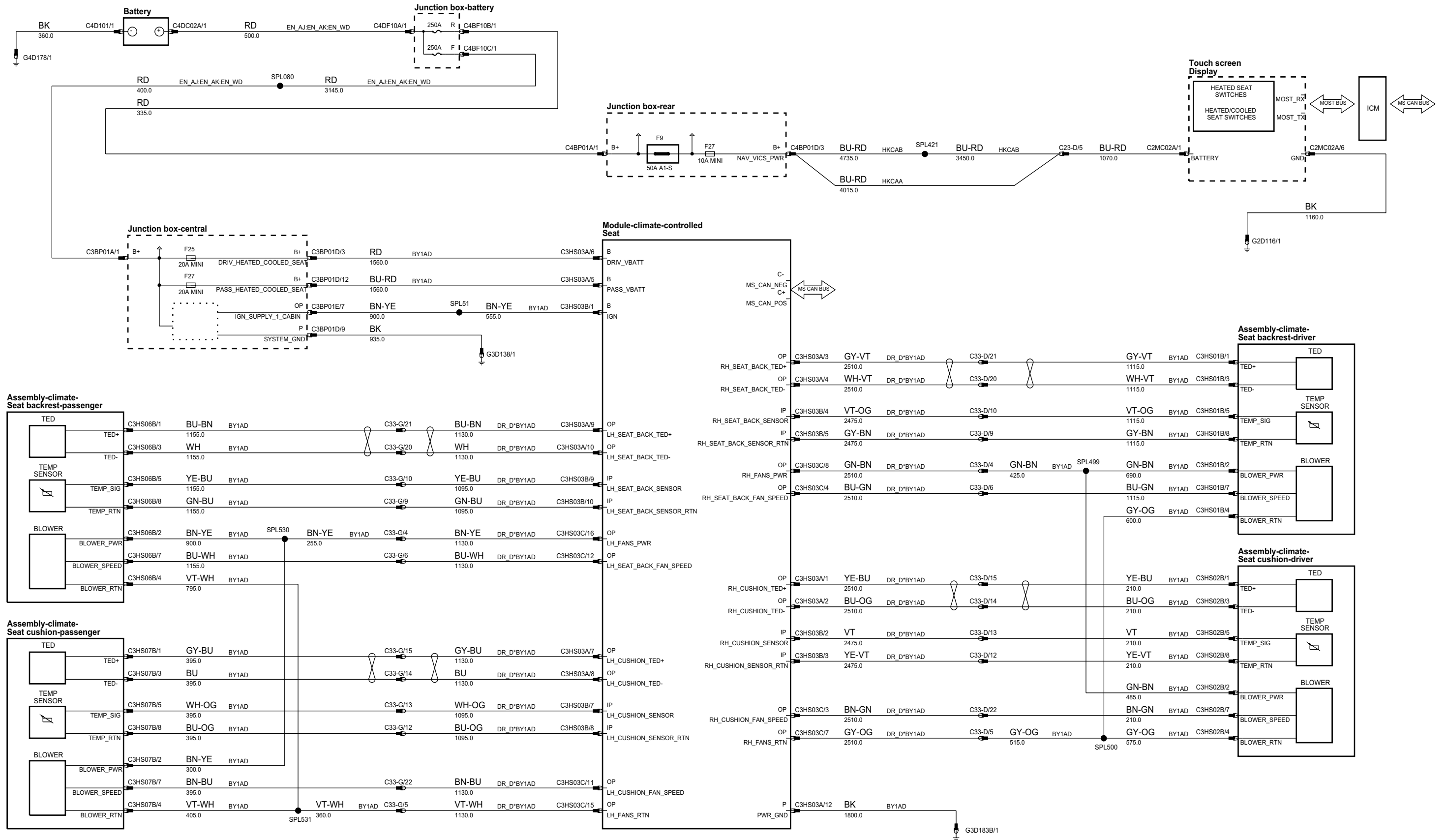
ph8r3-70346-d-af



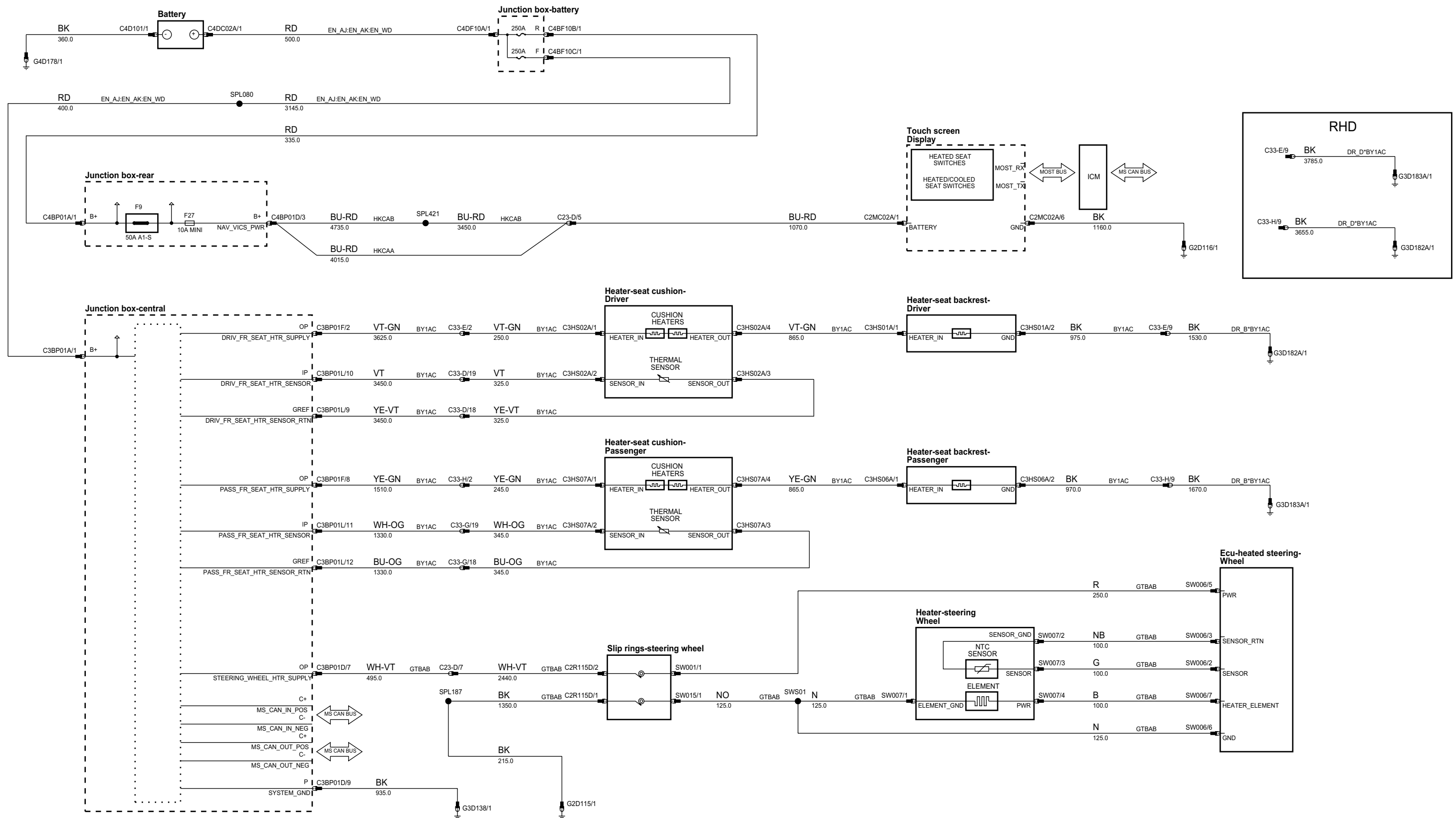
ph8/83-70347-a-af



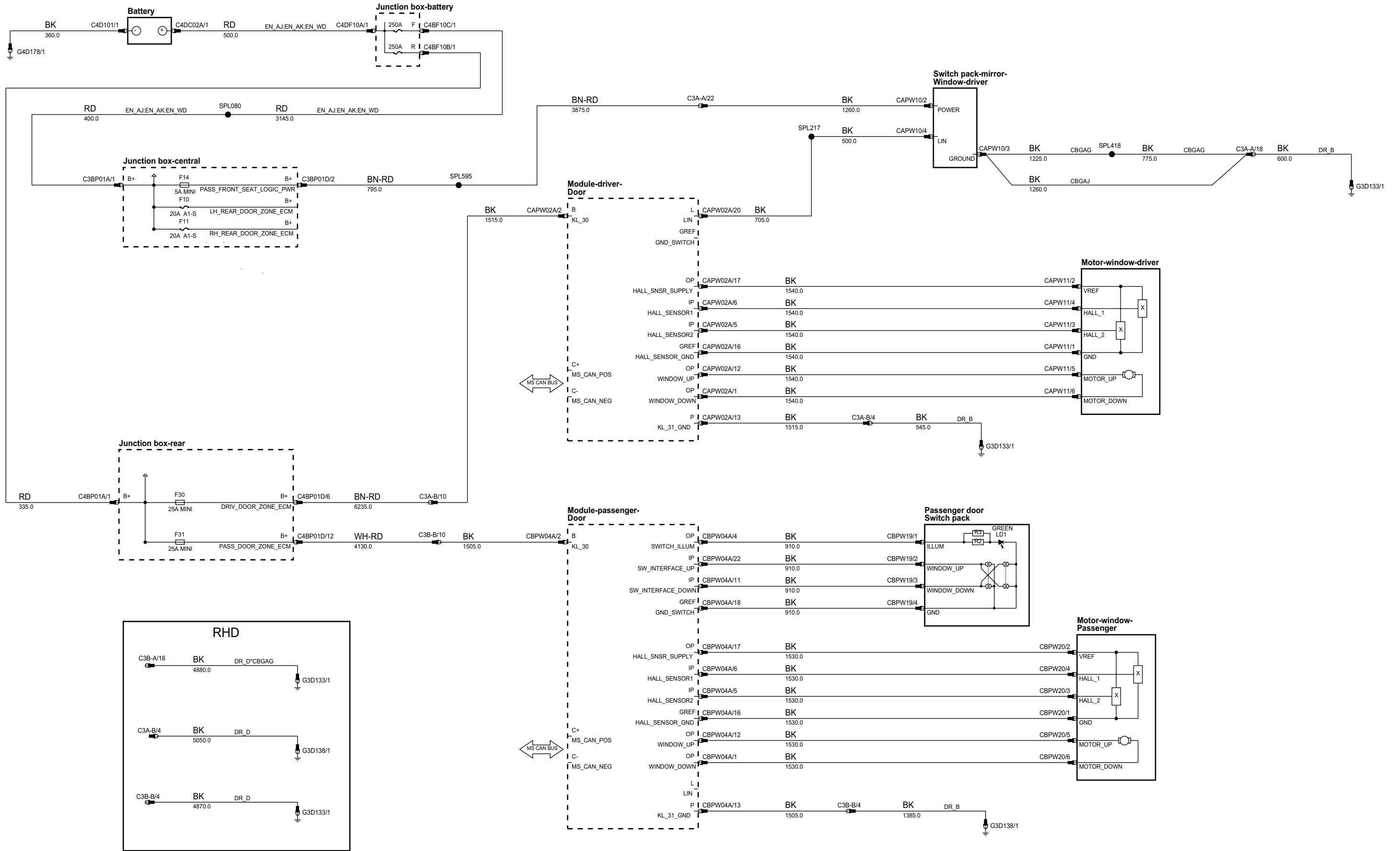
ph8/83-70347-b-af



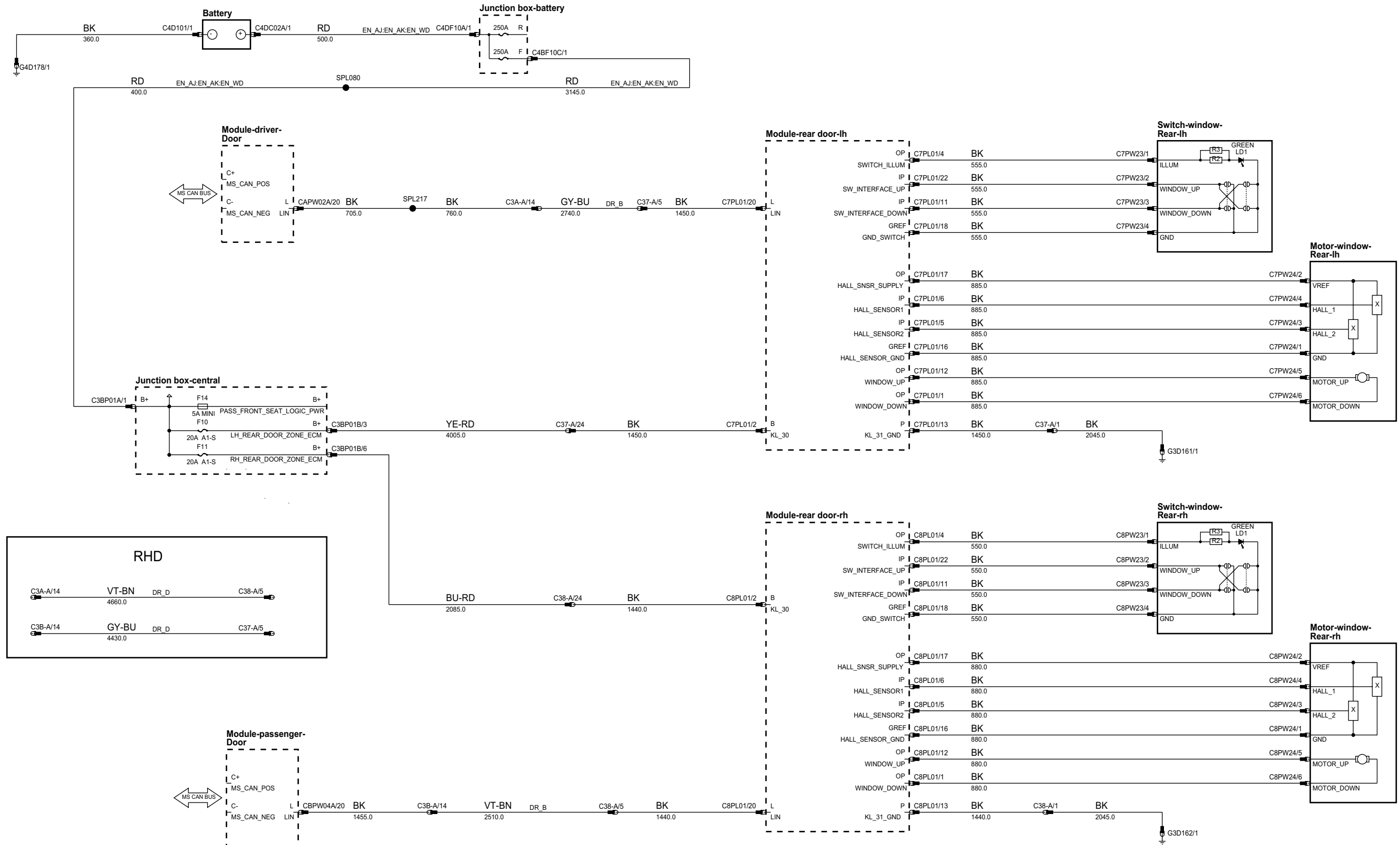
ph8r83-70347-c-af



ph83-70316-a-af

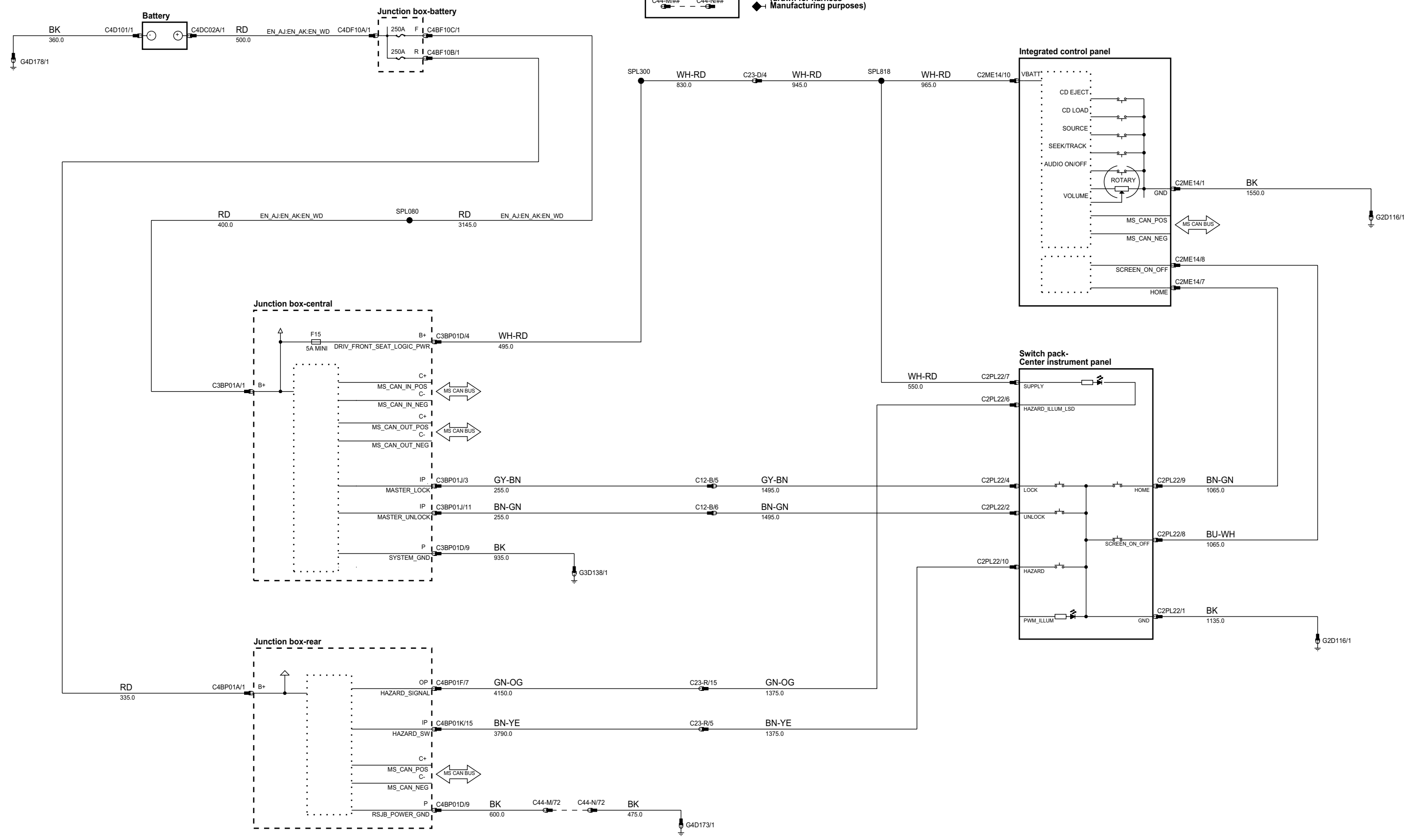


ph8r83-70316-b-af

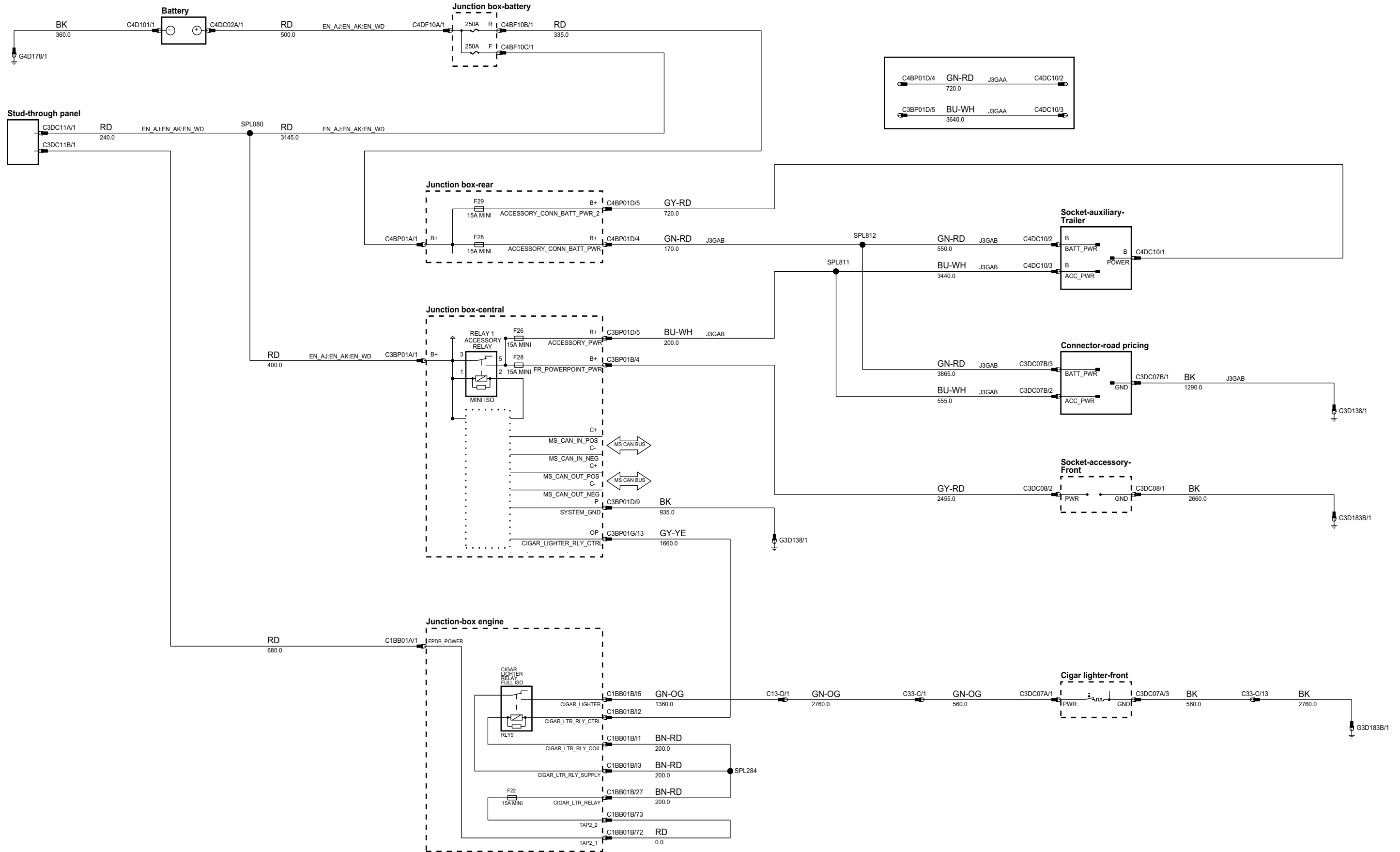


ph8r83-70210-c-af

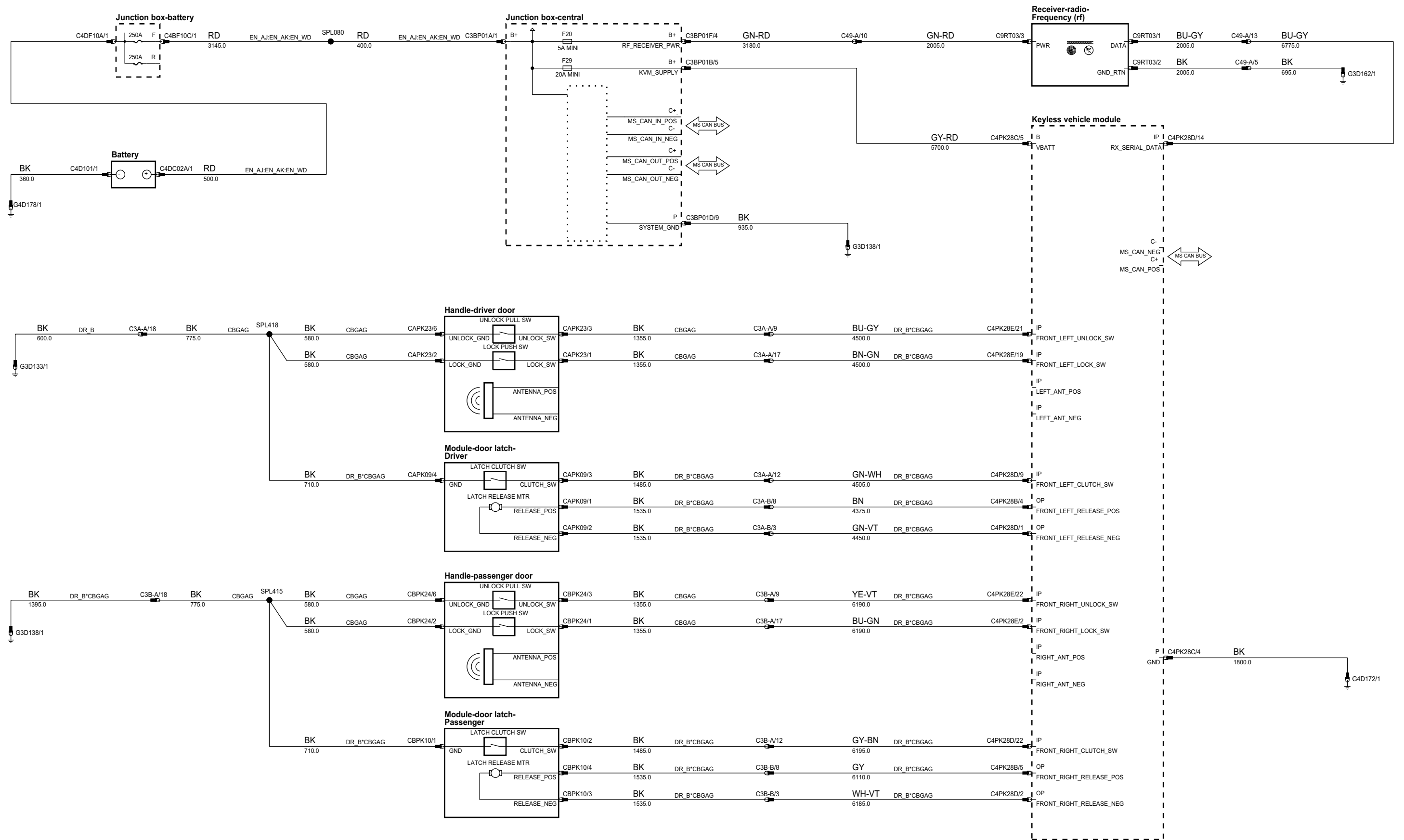
C44-M### C44-N###
 Ignore both connectors
 (drawn for harness
 Manufacturing purposes)



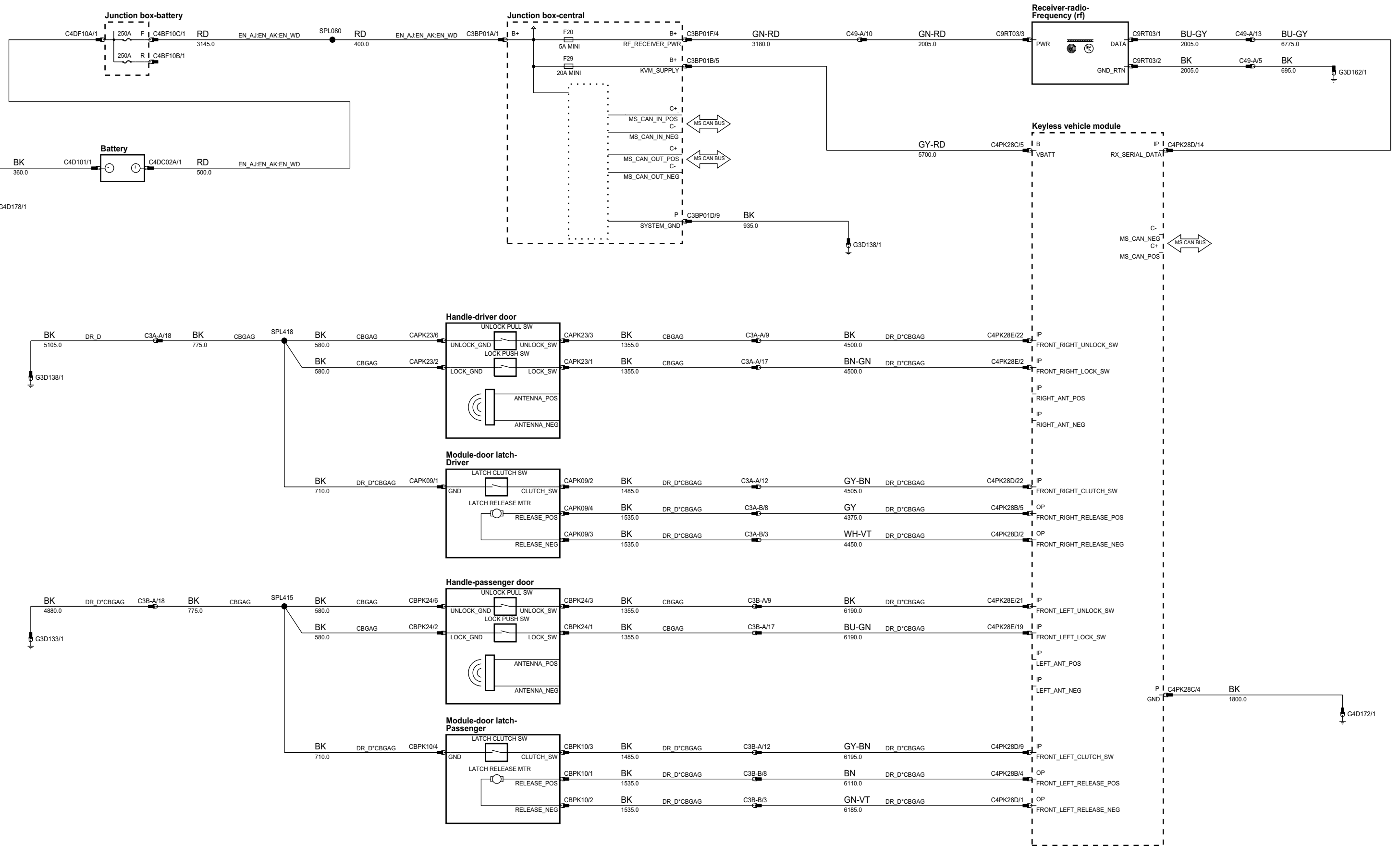
ph8r83-70365-a-af



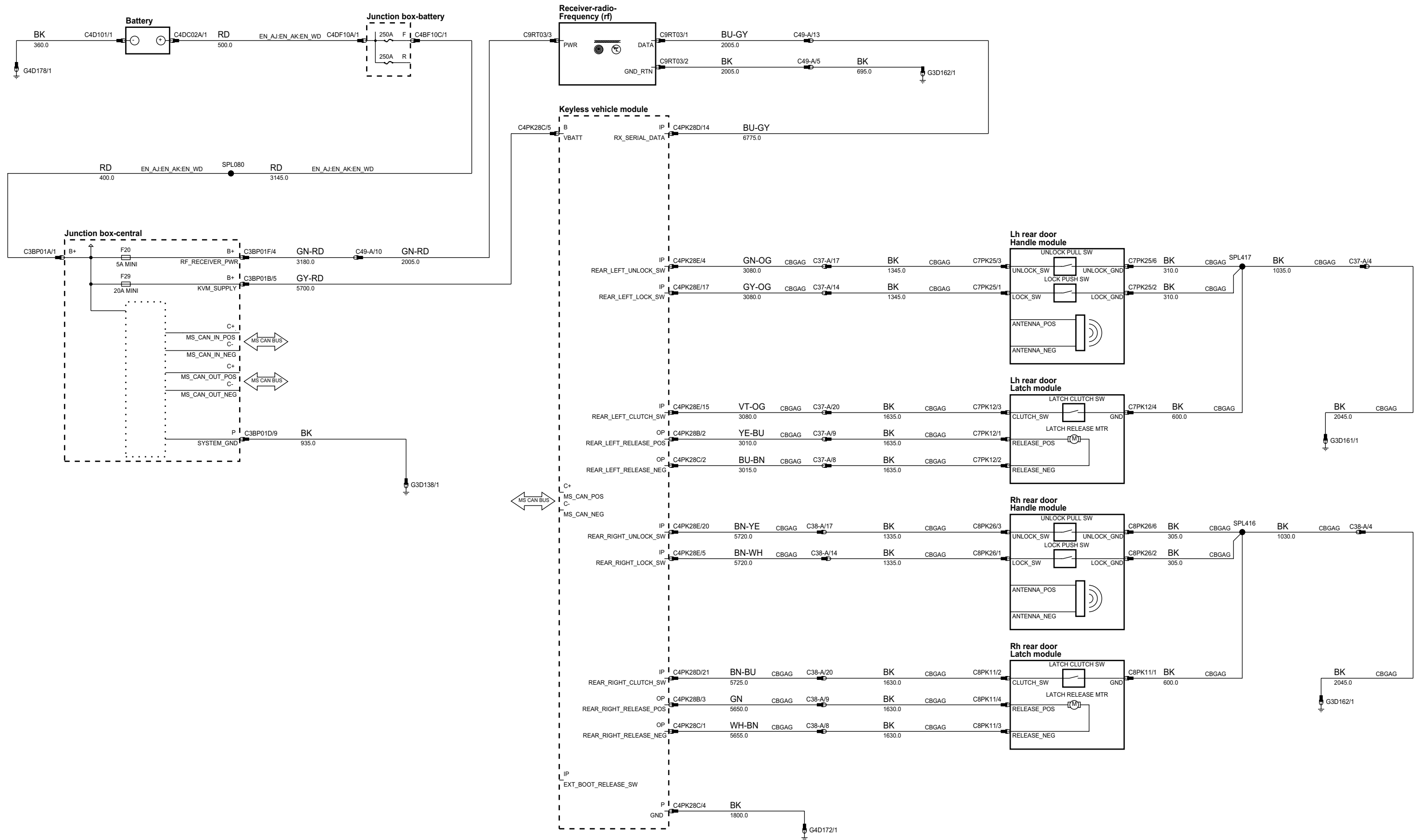
ph8r83-70417-a-af



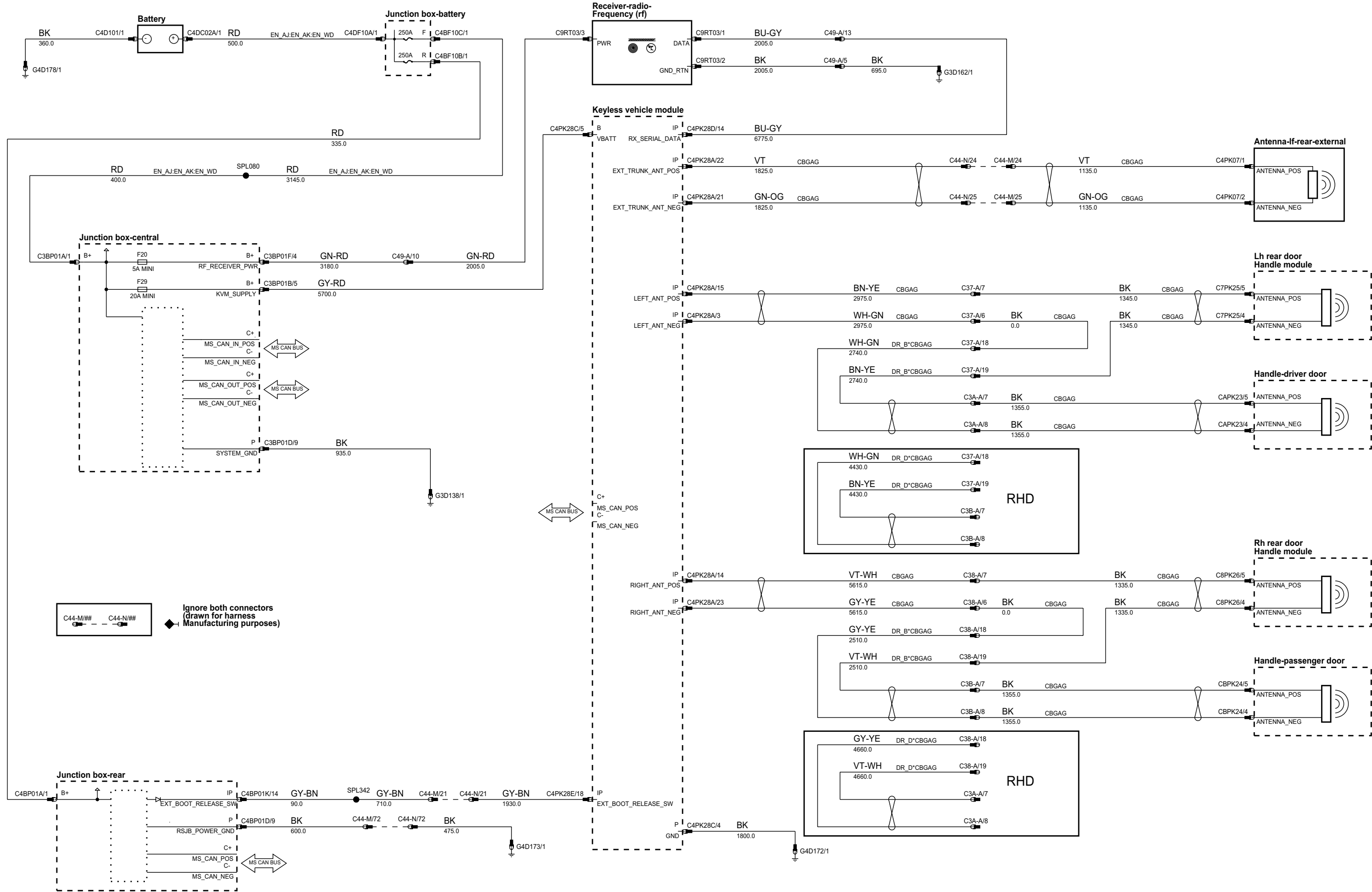
ph8r83-70417-b-af



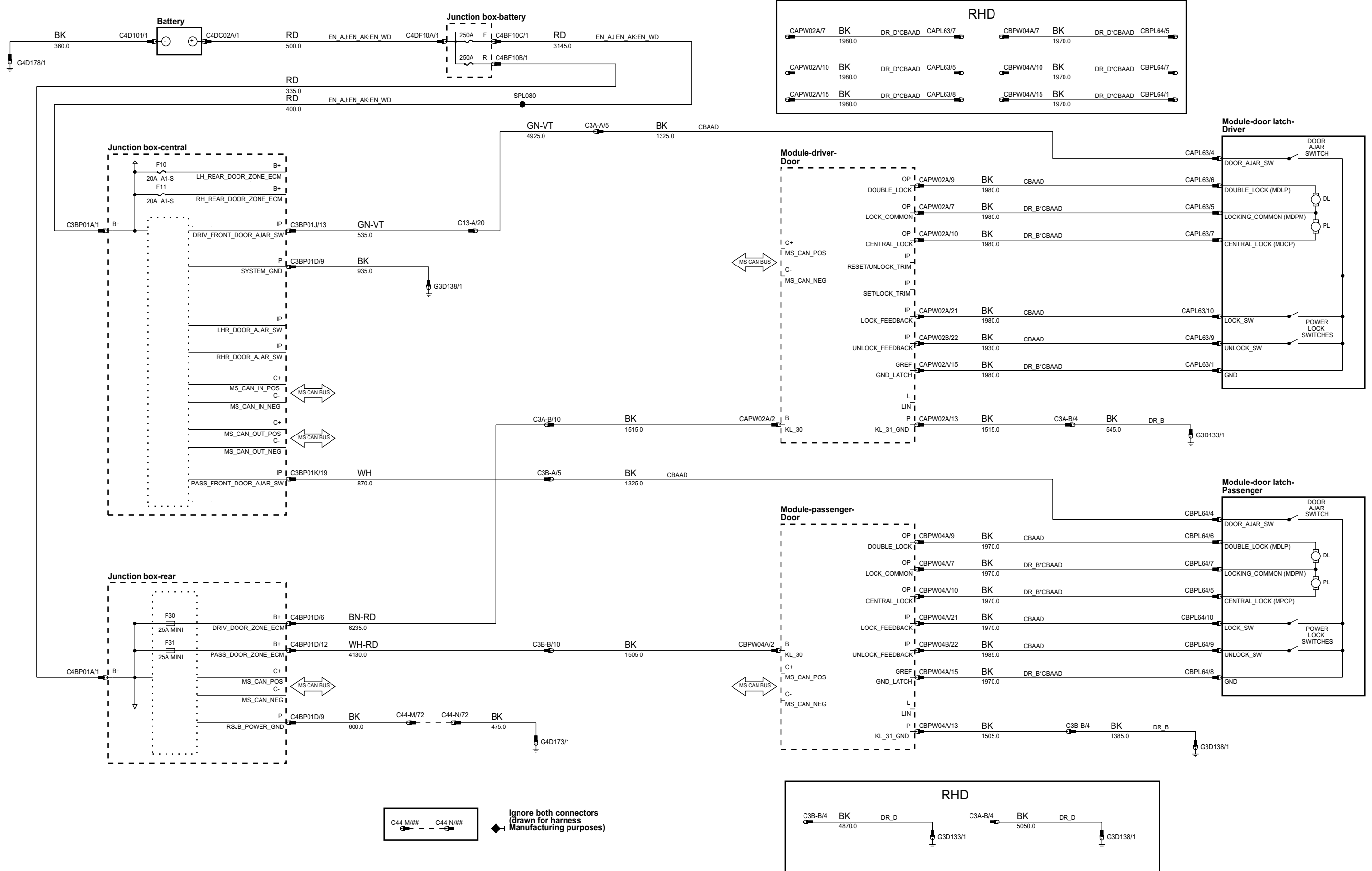
ph8r83-70417-c-af



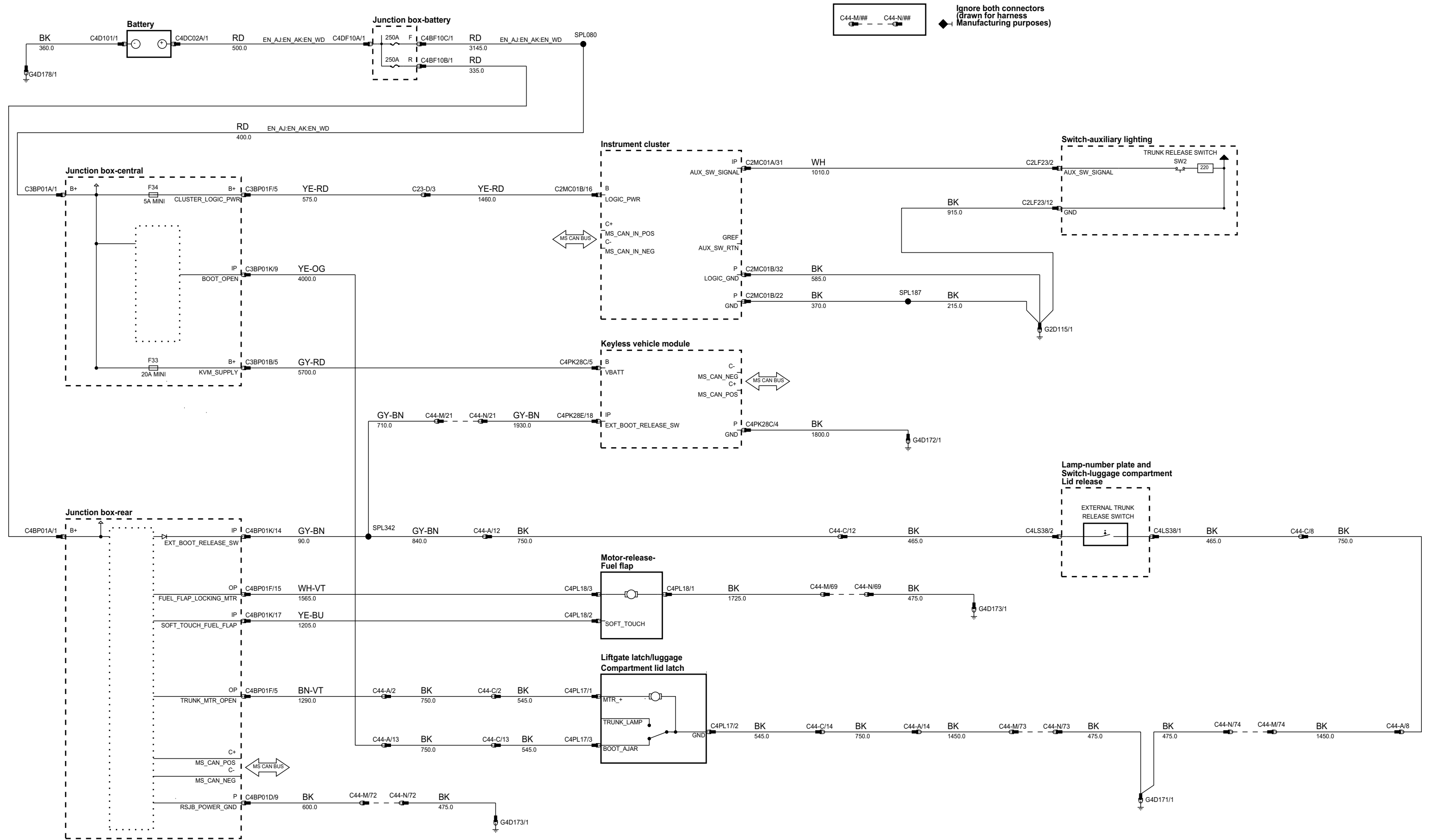
ph8r83-70417-d-af



ph83-70421-a-af

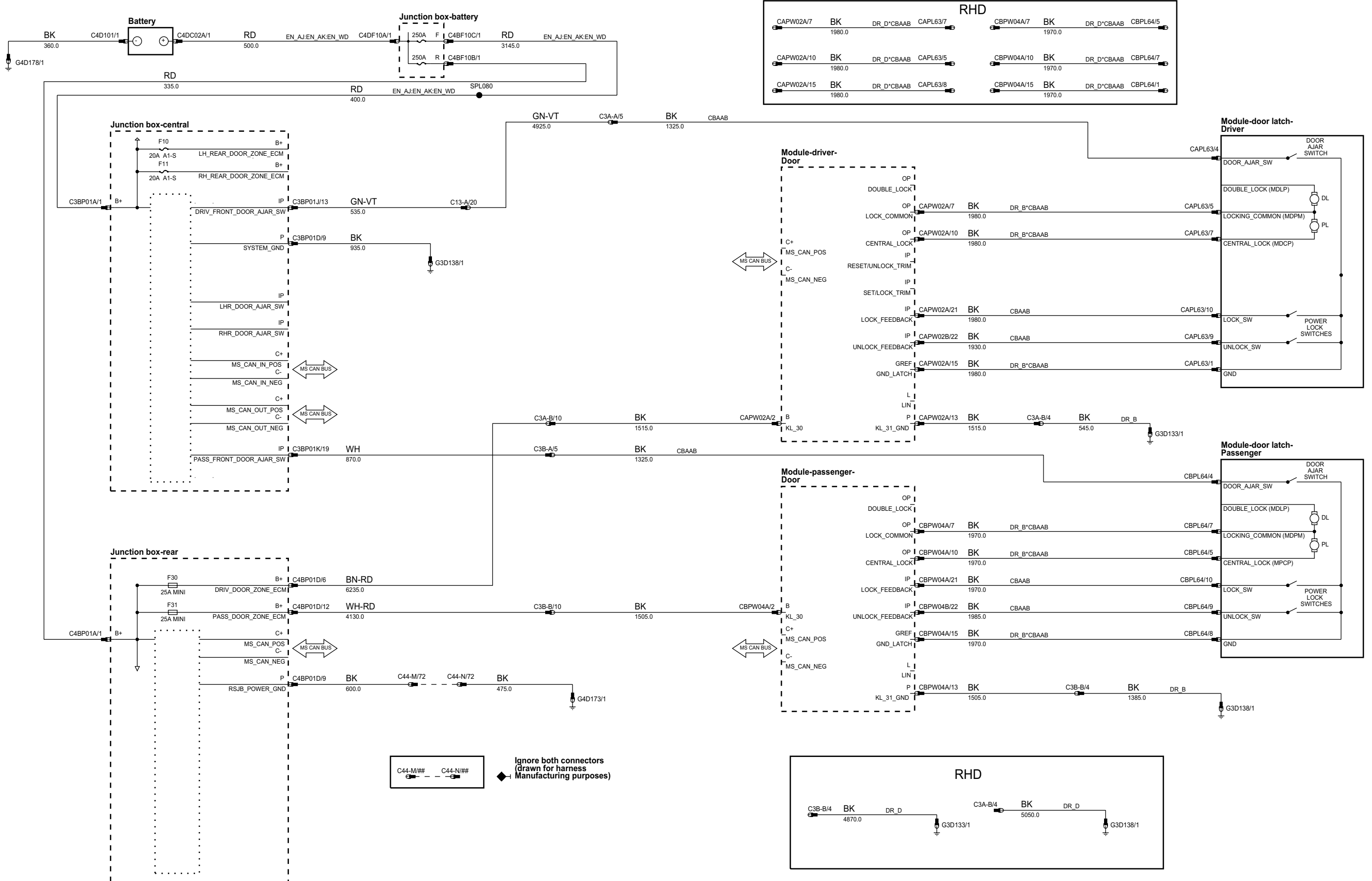


ph8r83-70421-b-af

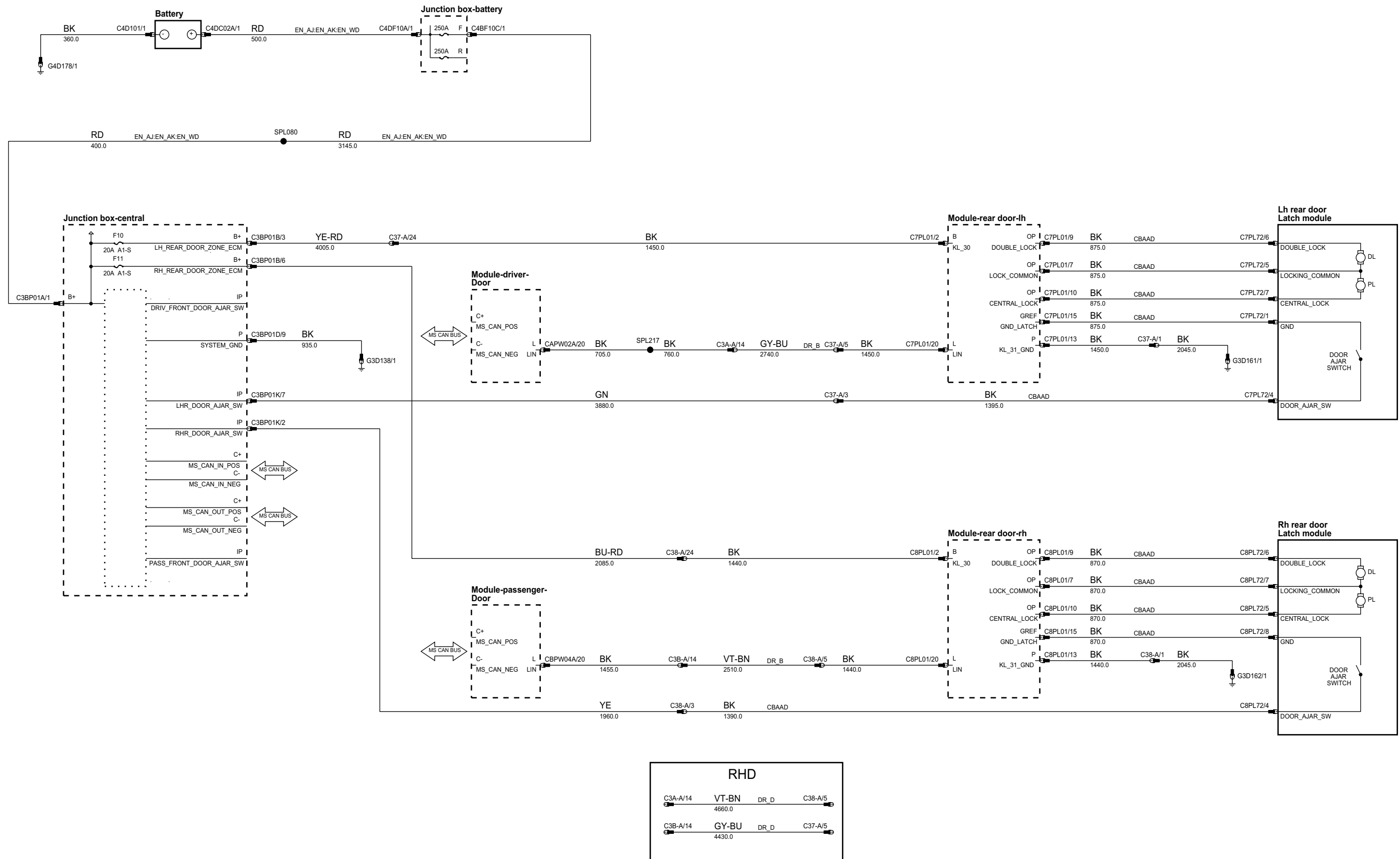


Ignore both connectors (drawn for harness Manufacturing purposes)

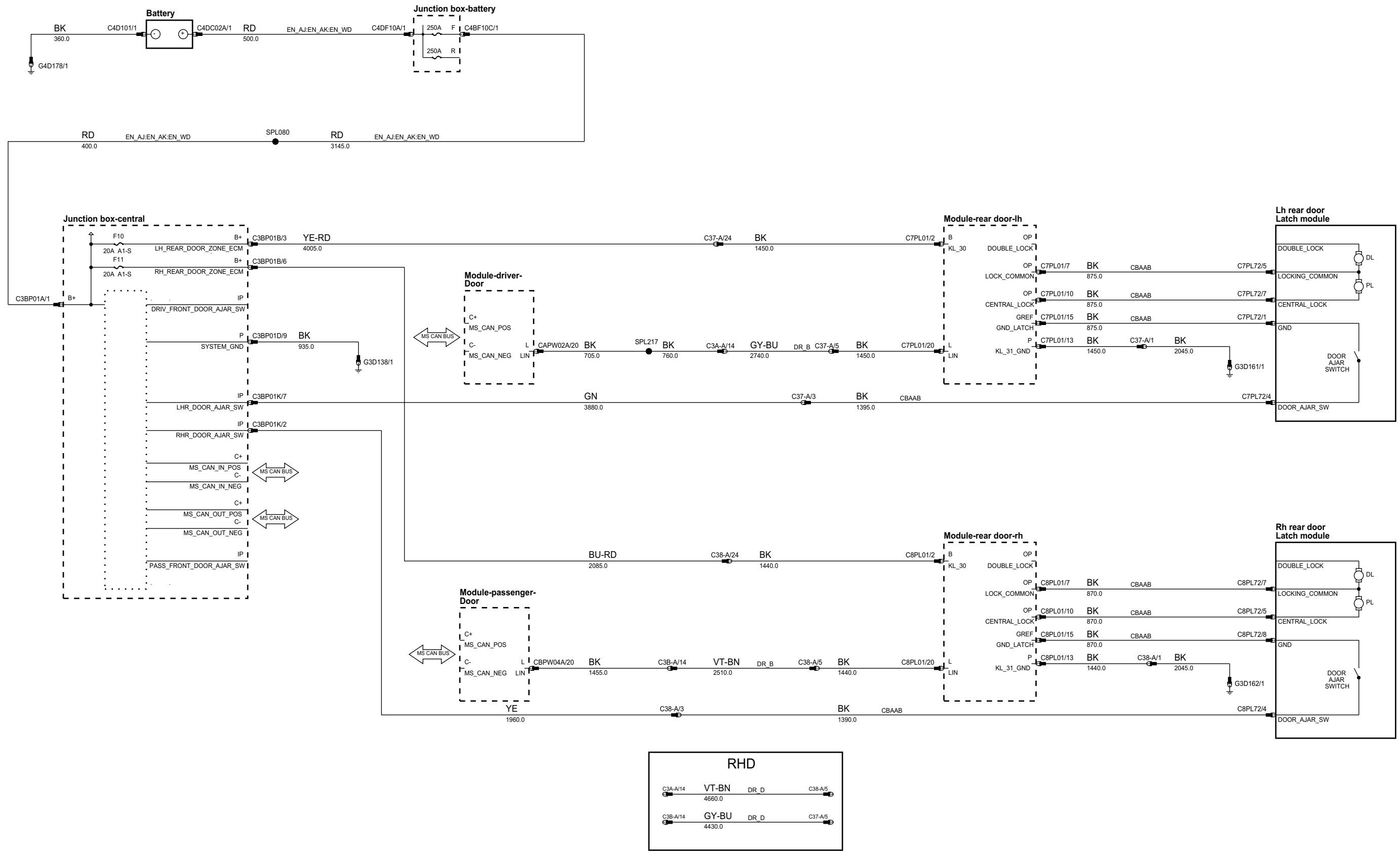
ph83-70421-c-af



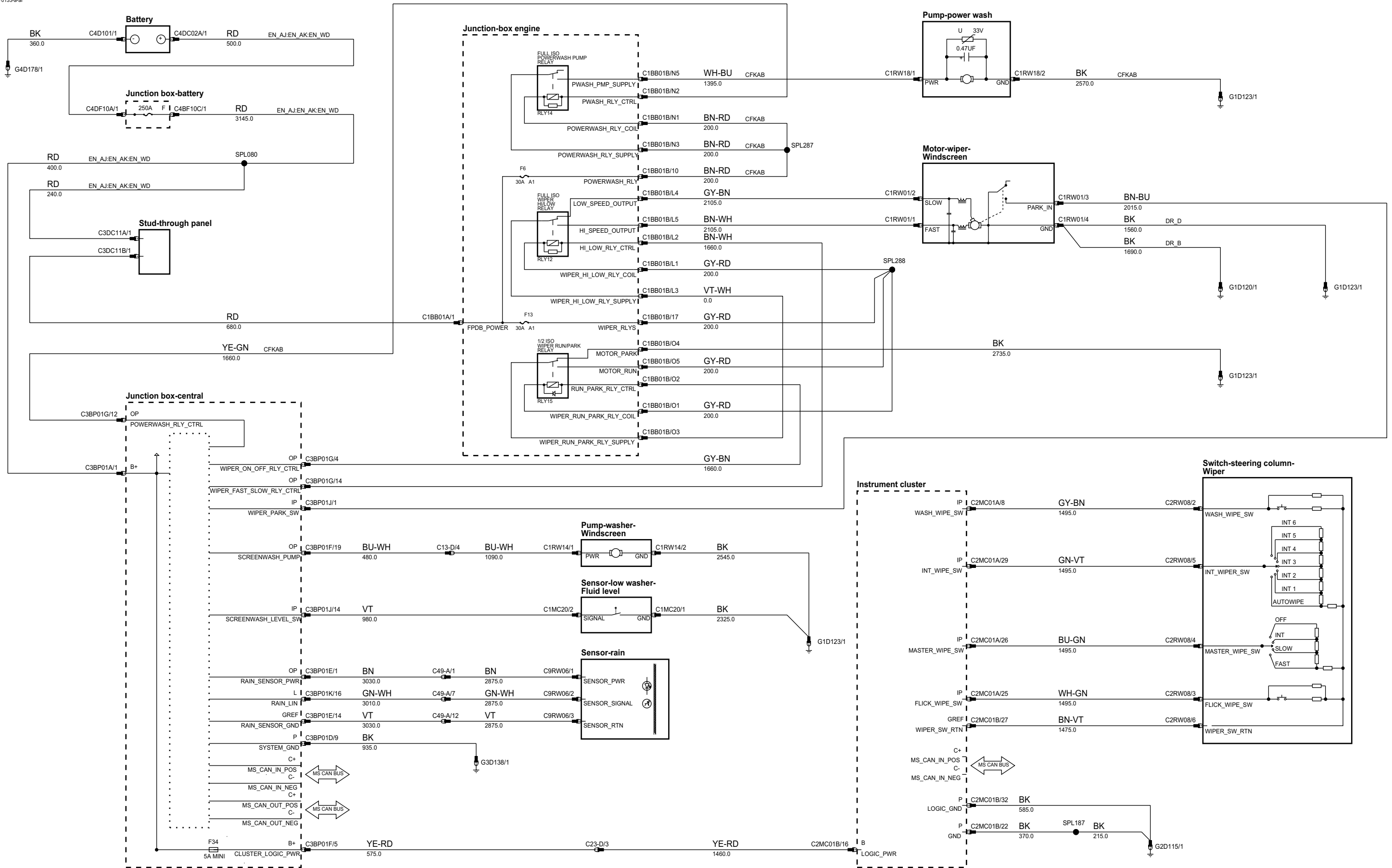
ph8r83-70421-d-af



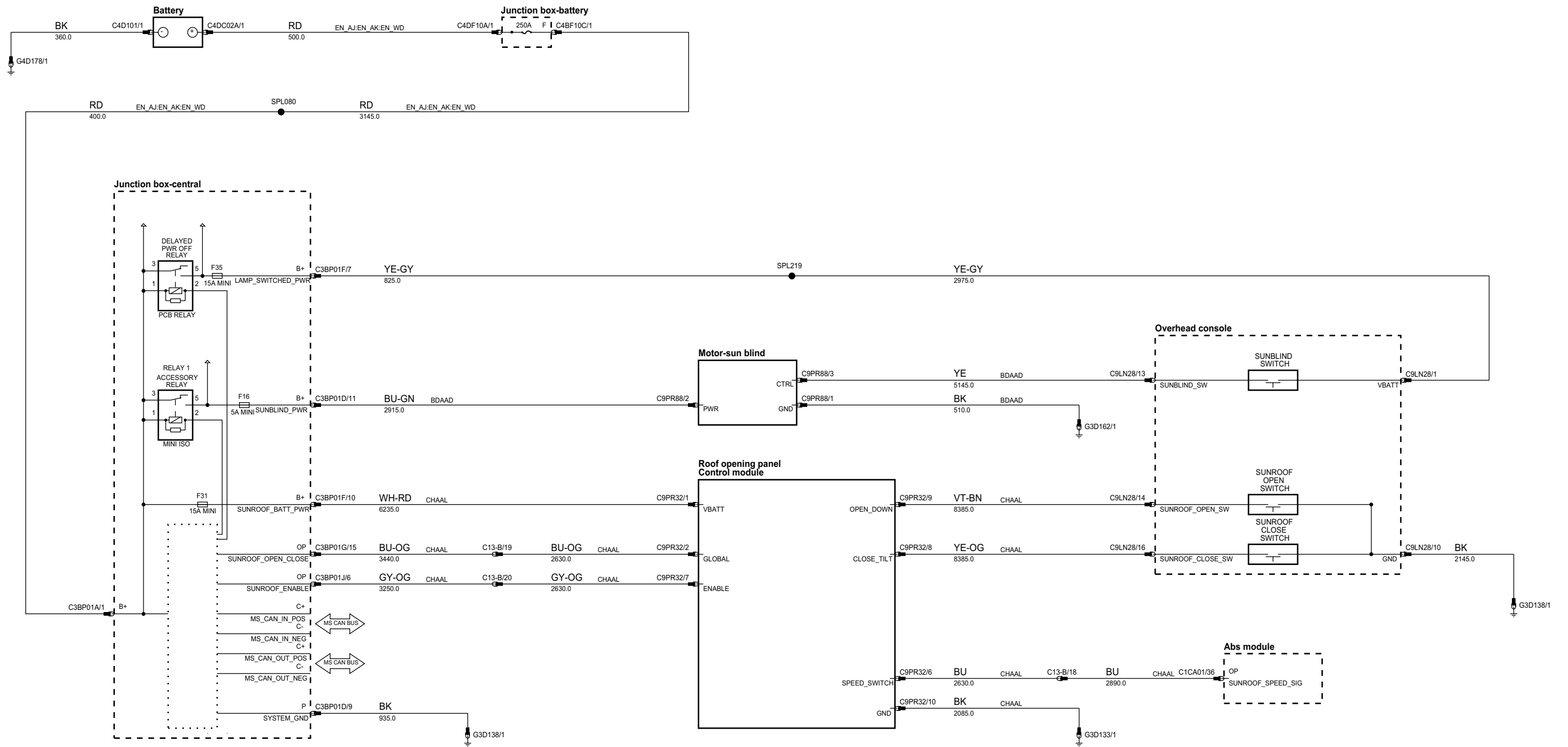
ph83-70421-e-af



ph8r83-70133-a-af

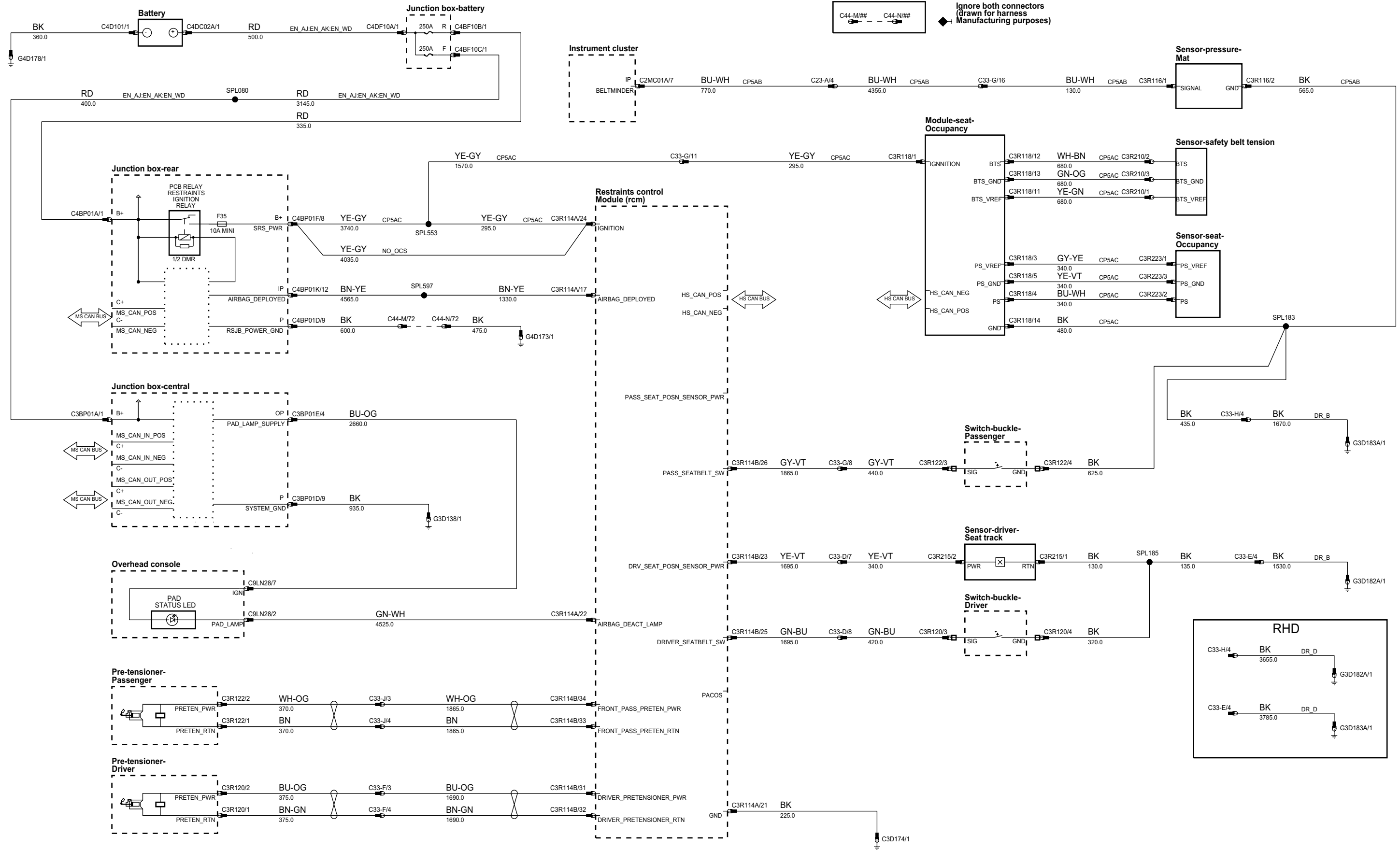


ph883-70317-a-af

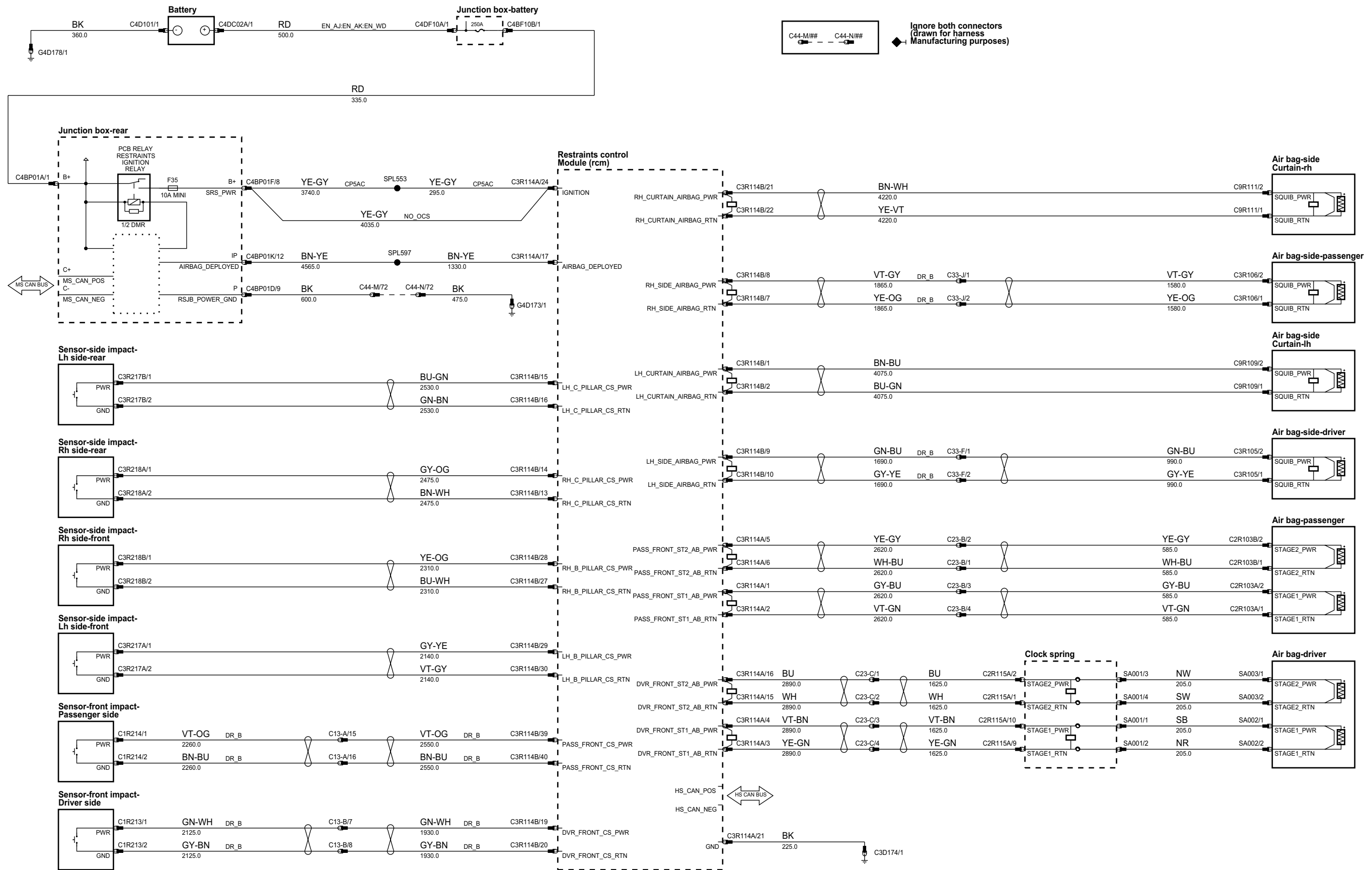


501-20A - SAFETY BELT SYSTEM

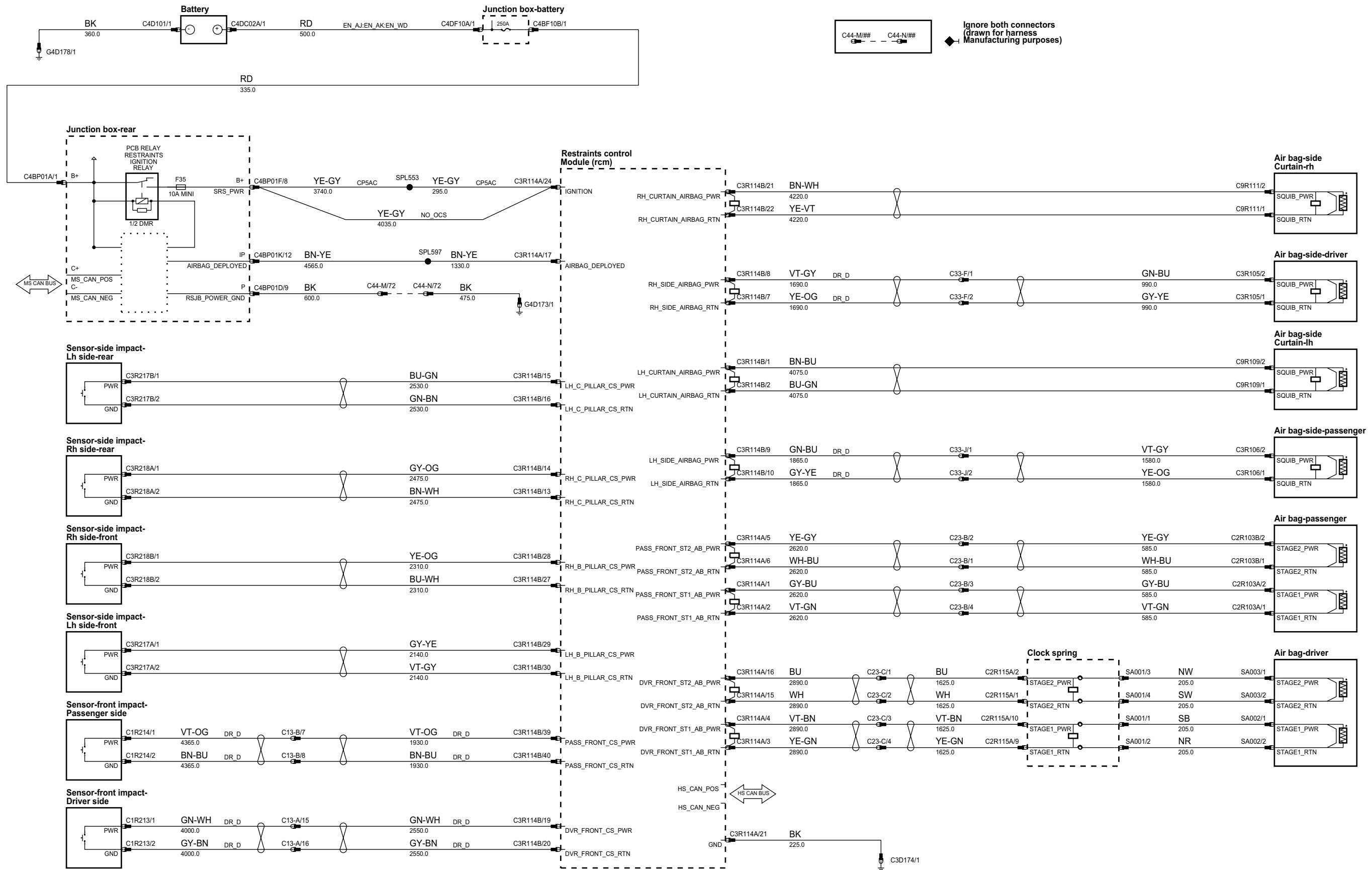
ph883-70150-c-af



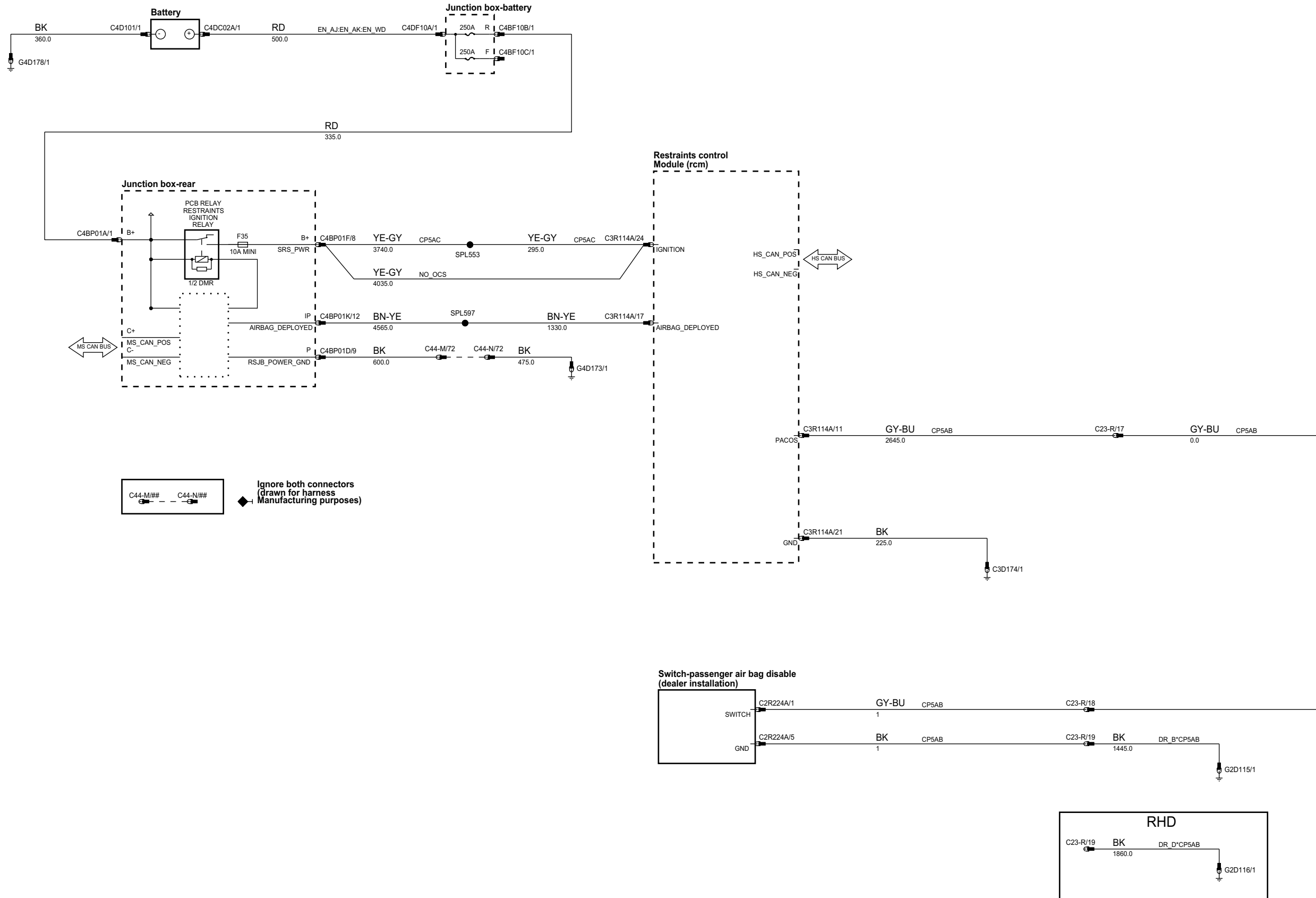
ph883-70150-a-af



ph8r83-70150-d-af



ph8r83-70151-a-ae



501-20C - PEDESTRIAN PROTECTION SYSTEM

ph8r83-70150-b-af

